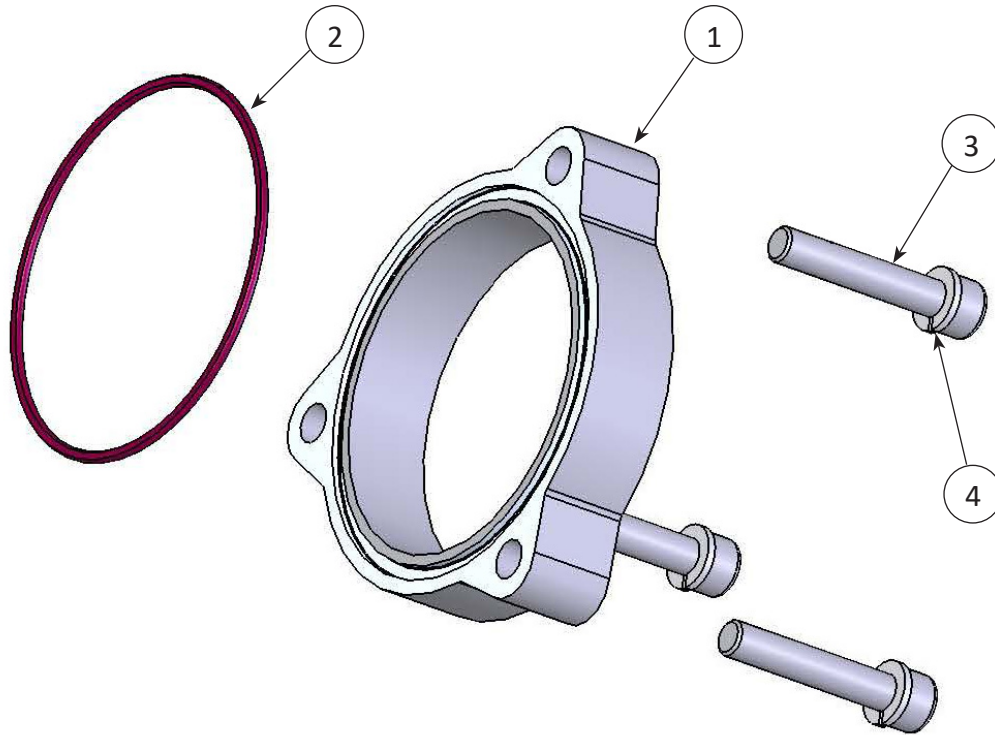


10751M 1" Collector Spacer Assembly

01-05-004RP



ITEM	PART NUMBER	DESCRIPTION	QTY.
1	10748M	SPACER, 1" COLLECTOR	1
2	10494M	O-RING, 102 x 3 NITRILE	1
3	10750M	SCREW, M10 x 1.5 x 55, ZINC PLATED	3
4	10740M	LOCK WSHR, M10 ZINC PLATED	3



www.civacon.com ◆ 9393 Princeton-Glendale Road ◆ Hamilton, Ohio, USA 45011 ◆ Phone: (800) 422-2525 ◆ Fax: (800) 421-3297

NOTE: All information subject to engineering and/or other changes. All trade names are copyrighted. Patents Pending. ©2018 Civacon. ©2018 Delaware Capital Formation, Inc. All Rights Reserved. DOVER and the DOVER logo are registered trademarks of Delaware Capital Formation, Inc., a wholly-owned subsidiary of Dover Corporation.

Rev C Sep 2022

DEFINING | WHAT'S NEXT