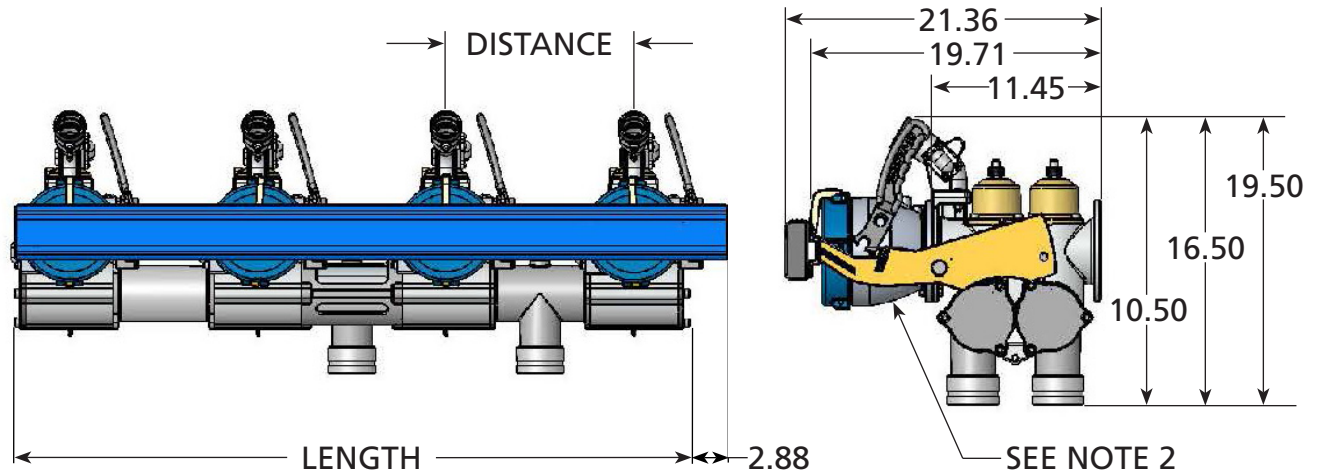


# Dual Manifold Assembly

01-05-019DS



|                            | # COMPARTMENTS | 2    | 3    | 4    | 5    | 6    | 7    |
|----------------------------|----------------|------|------|------|------|------|------|
| Length, (in.)              | 11" Centers    | 19.5 | 30.5 | 41.5 | 52.5 | 63.5 | 74.5 |
| Length, (in.)              | 14" Centers    | 22.5 | 36.5 | 50.5 | 64.5 | 78.5 | 92.5 |
| Weight (lbs.) <sup>2</sup> | 11" Centers    | 68   | 102  | 136  | 170  | 204  | 238  |
| Weight (lbs.) <sup>2</sup> | 14" Centers    | 70   | 105  | 140  | 175  | 210  | 245  |

## NOTES:

1. All weights and dimensions are for reference only
2. Weight of API adapters and caps are not included.  
API adapter weight is approximately 11.5 lbs. each.  
API cap weight is approximately 1.5 lbs. each.
3. Weight of guard bar, per compartment, is 6 lbs.  
Weight of return spout assembly, per compartment, is 2.5 lbs. These weights are included in table values.



www.civacon.com ◆ 9393 Princeton-Glendale Road ◆ Hamilton, Ohio, USA 45011 ◆ Phone: (800) 422-2525 ◆ Fax: (800) 421-3297

NOTE: All information subject to engineering and/or other changes. All trade names are copyrighted. Patents Pending. ©2018 Civacon. ©2018 Delaware Capital Formation, Inc. All Rights Reserved. DOVER and the DOVER logo are registered trademarks of Delaware Capital Formation, Inc., a wholly-owned subsidiary of Dover Corporation.

Rev B Mar 2020