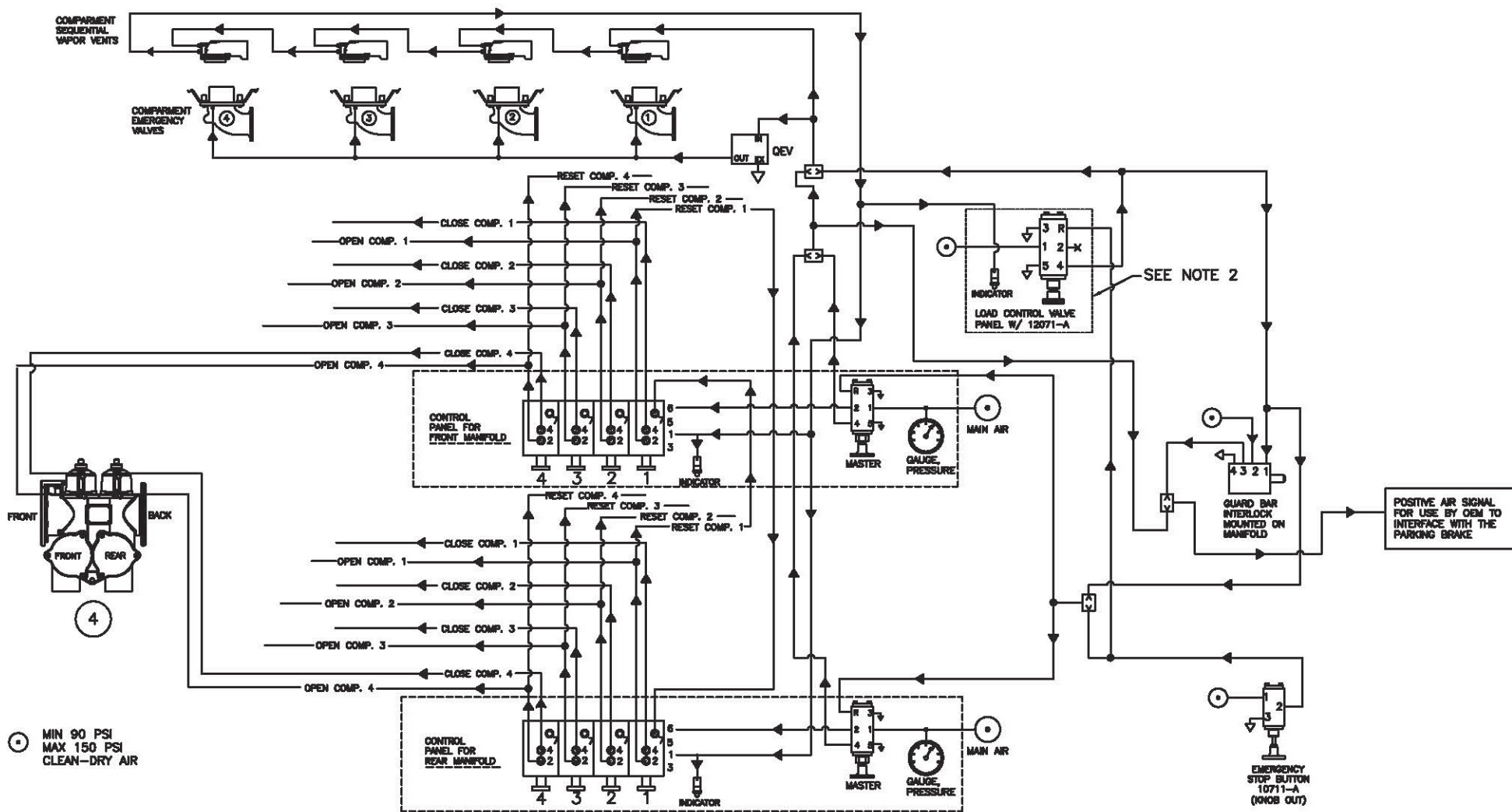


# Dual Manifold Wiring

01-05-021CH



⊙ MIN 90 PSI  
MAX 150 PSI  
CLEAN-DRY AIR

## MOUNTING NOTES

- 1) LOAD CONTROL VALVE PANEL TO BE MOUNT ABOVE THE MANIFOLD.
- 2) THE CIVA CONTROL MANIFOLD CONTROL PANELS CONTROL UNLOADING OPERATIONS ONLY. MOUNT EACH CONTROL CLOSE TO OTHER RELEVANT UNLOADING CONTROLS (e.g. METER OR HOSE REEL CONTROL, OR TO CUSTOMERS REQUIREMENTS)



www.civacon.com ◆ 9393 Princeton-Glendale Road ◆ Hamilton, Ohio, USA 45011 ◆ Phone: (800) 422-2525 ◆ Fax: (800) 421-3297

NOTE: All information subject to engineering and/or other changes. All trade names are copyrighted. Patents Pending. ©2018 Civacon. ©2018 Delaware Capital Formation, Inc. All Rights Reserved. DOVER and the DOVER logo are registered trademarks of Delaware Capital Formation, Inc., a wholly-owned subsidiary of Dover Corporation.

Rev B Mar 2020