

Rhino-T Steel Hopper Tee

The Rhino-T is heavy-duty, abrasion resistant and manufactured to withstand demanding transportation applications, such as hauling highly abrasive material like frac sand, carbide and silica.

Extended Wear

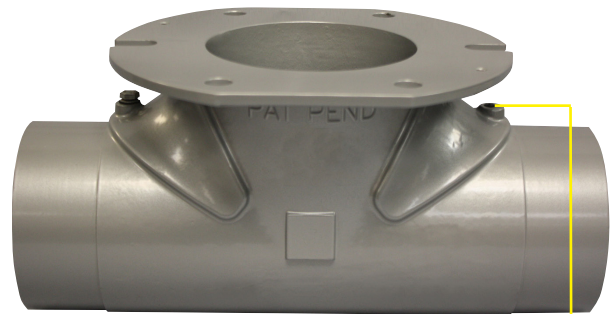
- Additional pads in higher wear factor areas to significantly improve longevity
- Reversible mounting and wear indicator allow for maximum product utilization

Heavy Duty Without Added Weight

- Body constructed of a special grade alloy steel that is up to 40% harder but weighs no more than standard tees currently on the market

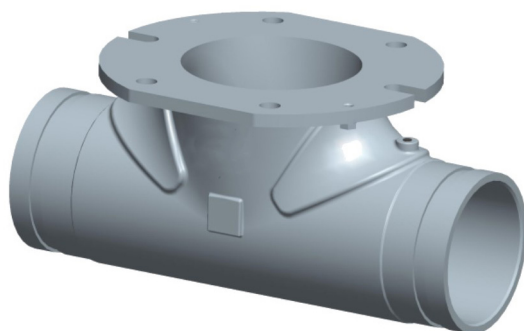
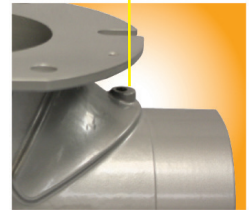
Technology Driven Analysis

- Innovative engineering using Flow Analysis Software to realize optimal product flow



Visible Wear Indicator

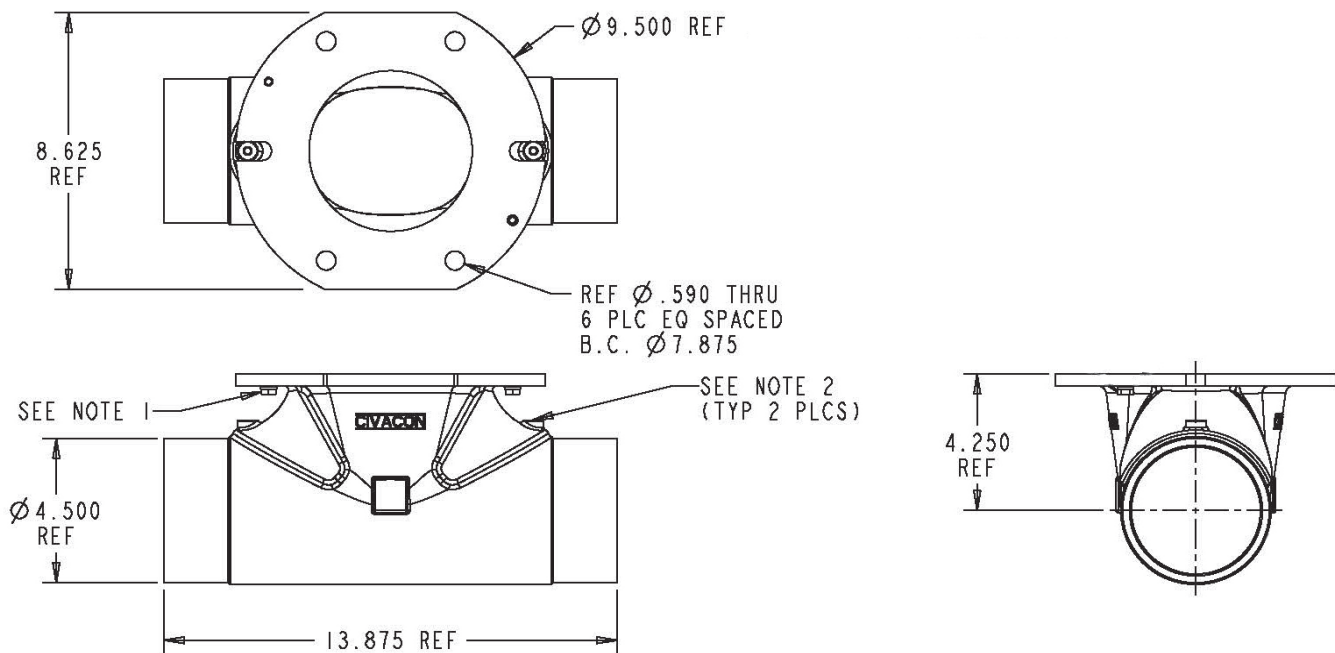
A patent pending visible wear indicator on each thick, high wear area will let you know when thinning occurs. Plug it, reverse the tee and keep running maximum load management.



Rhino-T Steel Hopper Tee

Specifications

- Product / Part Numbers: See Ordering Chart Below
- Materials: Body - Special Case-Hardened Grade Alloy Steel
- Weight: 23 lbs. (10.43 kg)
- Dimensions: Height - 6.55"
Width - 8.63"



Ordering Chart

Part Number	Description
TR-500PP	5" Cast Steel Hopper Tee, Plain to Plain, Schedule 80, (Maximum Wear)
TR-500PP-PC	5" Powder Coated Cast Steel Hopper Tee, Plain to Plain, Schedule 80 (Maximum Wear)
TR-500GG	5" Cast Steel Hopper Tee, Groove to Groove, Schedule 80
TR-500GG-PC	5" Powder Coated Steel Hopper Tee, Groove to Groove, Schedule 80
TR-500GP	5" Cast Steel Hopper Tee, Groove to Plain, Schedule 80
TR-500GP-PC	5" Powder Coated Steel Hopper Tee, Groove to Plain, Schedule 80