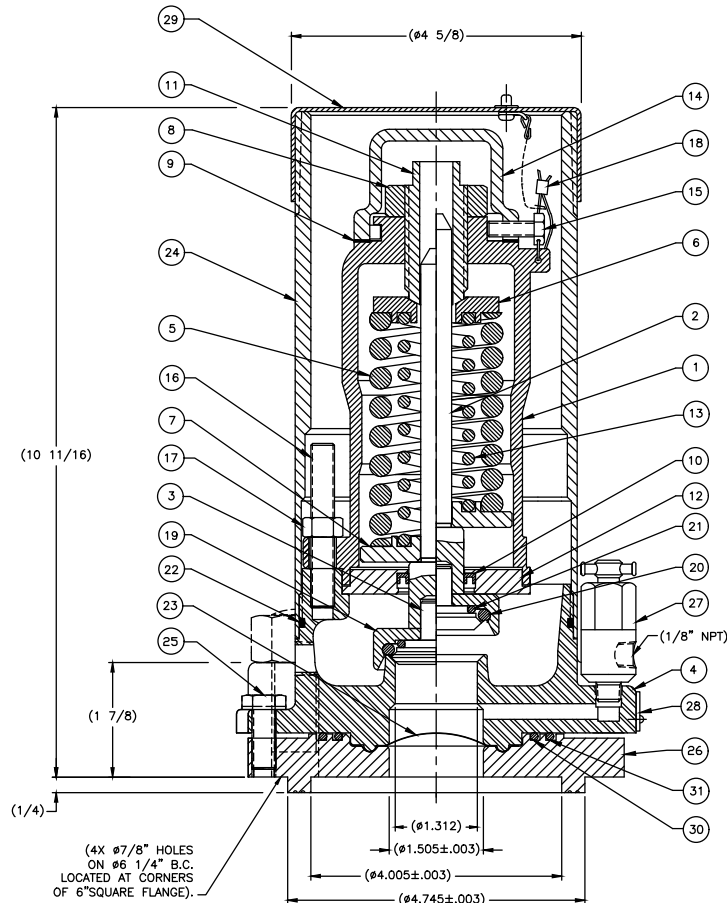


Model A-14000-T-A

Top Style Safety Valve O-Ring Seal with Rupture Disc



NOTE: (1) Valves With Pressure Settings Less Than 225 PSIG Have Bolts (15-16-CS Or -SS) Instead Of Studs And Nuts
 (2) Alternate Materials Available
 (3) Optional Add Model Number Suffix -PF For Plastic Flue Or -S For Stainless Flue. Items 22 & 29 Are Included With Flue

Item	Qty	Part Name	A-14150-T-A THRU A-14495-T-A STAINLESS TRIM		A-14154-T-A THRU A-14499-T-A STAINLESS STEEL	
			Material	Part No.	Material	Part No.
1	1	Top Guide	Steel	14-101-CS	Stainless Steel	14-101-SS
2	1	Stem	Stainless Steel	14-2-SS	Stainless Steel	14-2-SS
3	1	Plug	Stainless Steel	14-3-SS	Stainless Steel	14-3-SS
4	1	Body	Steel	14-48-CS	Stainless Steel	14-48-MO
5	1	Outer Spring	Stainless Steel	SEE TABLE	Stainless Steel	SEE TABLE
6	1	Follower	Steel	14-6-CS	Stainless Steel	14-6-SS
7	1	Guide	Stainless Steel	14-7-SS	Stainless Steel	14-7-SS
8	1	Top Nut	Steel	15-8-CS	Steel (2)	15-8-CS
9	1	Top Gasket	Buna-N (2)	15-9-BN	Buna-N (2)	15-9-BN
10	1	Shaft Seal	Teflon	17-10-TF	Teflon	17-10-TF
11	1	Adjusting Screw	Stainless Steel	SEE TABLE	Stainless Steel	SEE TABLE
12	1	Seal Retainer	Steel	14-12-CS	Stainless Steel	14-12-SS
13	1	Inner Spring	Stainless Steel	SEE TABLE	Stainless Steel	SEE TABLE
14	1	Cap	Stainless Steel	14-14-SS	Stainless Steel	14-14-SS
15	1	Hex Head Cap Screw	Steel	15-15-CS	Steel (2)	15-15-CS
16	4	Stud (1)	Steel	14-16-CS	Stainless Steel	14-16-SS
17	4	Nut (1)	Steel	14-17-CS	Stainless Steel	14-17-SS
18	1	Wire Seal	SS Wire, Lead Seal	22-72-PB	SS Wire, Lead Seal	22-72-PB
19	1	Retainer	Stainless Steel	14-19-SS	Stainless Steel	14-19-SS
20	1	Seat O-Ring	Buna-N (2)	10-10-BN	Buna-N (2)	10-10-BN
21	1	Plug O-Ring	Buna-N (2)	10-11-BN	Buna-N (2)	10-11-BN
22	1	Flue O-Ring (3)	Buna-N (2)	14-22-BN	Buna-N (2)	14-22-BN
23	1	Rupture Disc	Stainless Steel (2)	14-23-SS	Stainless Steel (2)	14-23-SS
24	1	Flue (3)	Plastic	14-24-PC	Plastic	14-24-PC
25	4	Rupture Disc FLG Bolts	Stainless	17-31-SS	Stainless	17-31-SS
26	1	Rupture Disc Flange	Steel	14-342-CS	Stainless Steel	14-342-SS
27	1	1/8" Needle Valve	Stainless Steel	A-251-BN (2)	Stainless Steel	A-251-BN (2)
28	1	Nameplate	Stainless Steel	SEE TABLE	Stainless Steel	SEE TABLE
29	1	Protective Cap w/chain (3)	Polyethylene/SS	14-311-PE-SS	Polyethylene/SS	14-311-PE-SS
30	1	Flange O-Ring, Inner	Buna-N (2)	32-11-BN	Buna-N (2)	32-11-BN
31	1	Flange O-Ring, Outer	Buna-N (2)	14-331-BN	Buna-N (2)	14-331-BN

A-14150-T-A THRU A-14495-T-A Stainless Trim		A-14154-T-A THRU A-14499-T-A Stainless Steel		Pressure Setting	Flow Rate (SCFM Air)	Outer Spring P/N	Inner Spring P/N	Adjusting Screw P/N
Valve Model Number	Nameplate	Valve Model Number	Nameplate					
A-14150-T-A	14-150-SS	A-14154-T-A	14-154-SS	150	3582	15-150-MO	14-13-SS	15-112-SS
A-14165-T-A	14-51-SS	A-14169-T-A	14-56-SS	165	3612	15-225-SS	-	15-11-SS
A-14225-T-A	14-36-SS	A-14229-T-A	14-43-SS	225	4629	15-150-MO	14-35-SS	15-11-SS
A-14247-T-A	14-52-SS	A-14251-T-A	14-57-SS	247.5	4786	15-300-SS	-	15-11-SS
A-14255-T-A	14-53-SS	A-14259-T-A	14-58-SS	255	4606	15-300-SS	-	15-11-SS
A-14280-T-A	14-54-SS	A-14284-T-A	14-59-SS	280.5	5177	15-225-SS	14-13-SS	15-11-SS
A-14300-T-A	14-37-SS	A-14304-T-A	14-304-SS	300	6024	15-300-SS	14-13-SS	15-11-SS
A-14330-T-A	14-55-SS	A-14334-T-A	14-60-SS	330	5085	15-300-SS	14-13-SS	15-11-SS
A-14375-T-A	14-38-SS	A-14379-T-A	14-45-SS	375	7299	15-375-SS	14-13-SS	15-111-SS
A-14450-T-A	14-39-SS	A-14454-T-A	14-46-SS	450	6971	15-450-SS	14-13-SS	15-111-SS
A-14495-T-A	14-51-SS	A-14499-T-A	14-53-SS	495	8616	15-450-SS	14-13-SS	15-111-SS

Revision Date: June 21, 2022