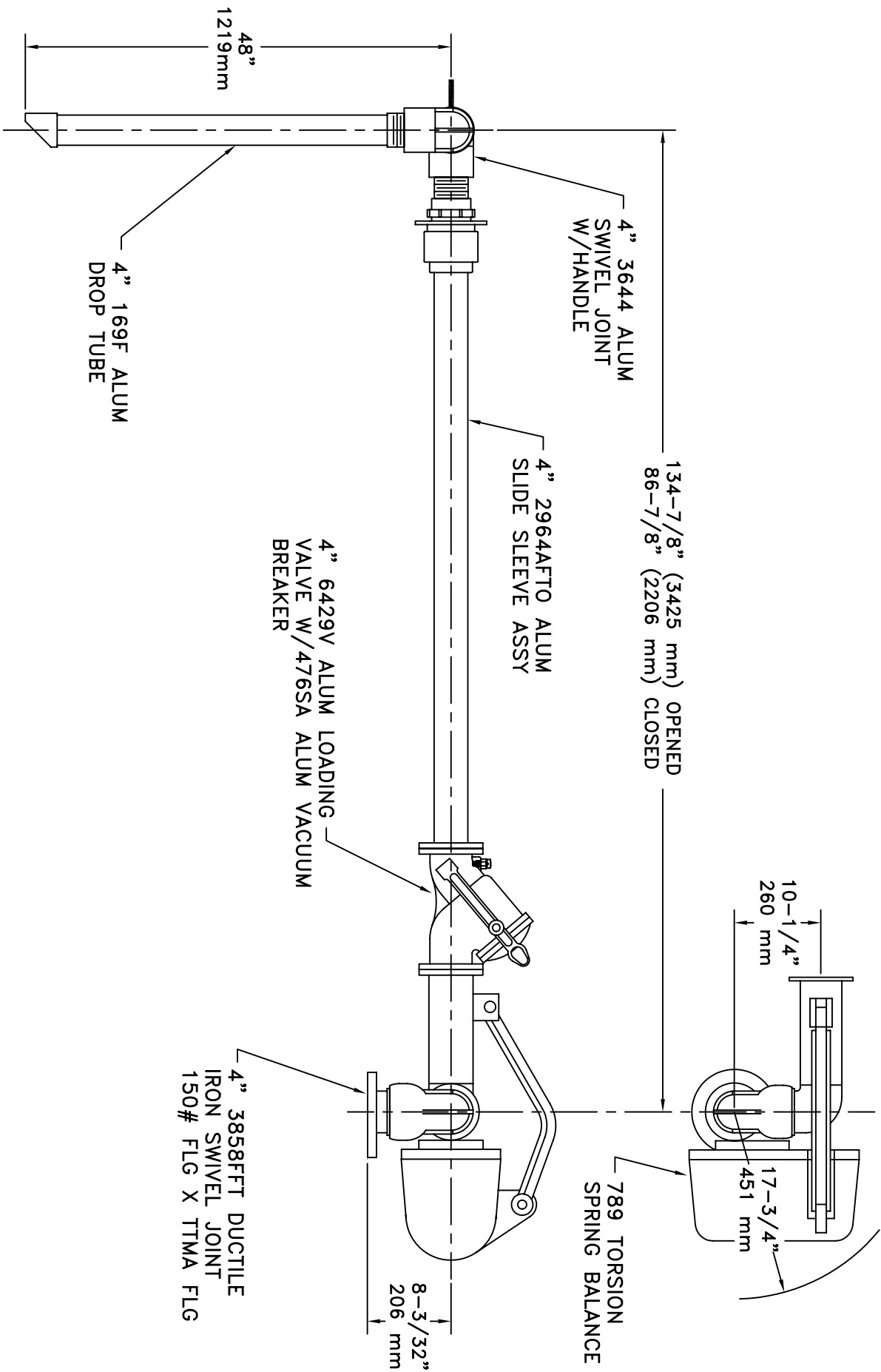


MATERIAL:
IRON / ALUMINUM
VITON



4" OPW A32F LIQUID LOADER



ARM IS DESIGNED FOR PRODUCT RETENTION TO POINT OF VALVE