

Bottom Drop Hopper Tee

The Bottom Drop Tee that is heavy-duty, abrasion resistant and easy to open and close. Manufactured to withstand demanding transportation applications and built to haul those highly abrasive materials.

Simple to Use

Patent pending latch mechanism provides easy opening and closing while still allowing maximum product flow through the bottom opening during a gravity drop or clean out.

Extended Wear

Additional pads in higher wear factor areas to significantly improve longevity. Reversible mounting and wear indicator allow for maximum product utilization.

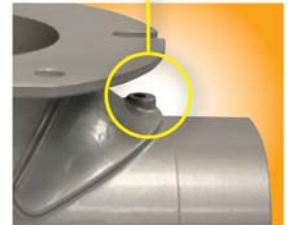
Technology Driven Analysis

Innovative engineering using Flow Analysis Software to realize optimal product flow



Visible Wear indicators

A patent pending visible wear indicator on each thick, high-wear area will let you know when thinning occurs. Plug it, reverse the tee and keep running for maximum load management



Product Specification

Product Number

TR-510PP, TR-510GG, TR-510GP

Dimensions:

Height - 7 3/8"

Width - 8 5/8"

Materials:

Special Hardened Ductile Iron Body,
Aluminum & Stainless Steel Components
Optional Powder Coating Available

Weight:

25 lbs. (11.34 kg)

Bottom Drop Hopper Tee

Product Specification

Product Number

See below for full line of Bottom Drop T's

Dimensions:

Height - 7 3/8"

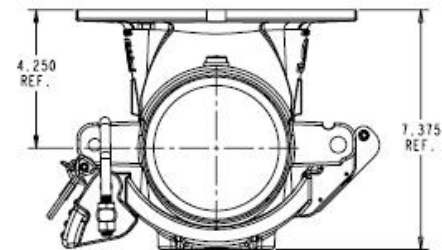
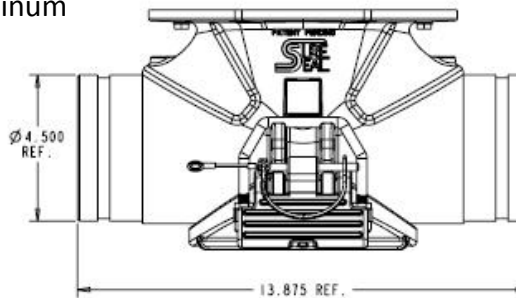
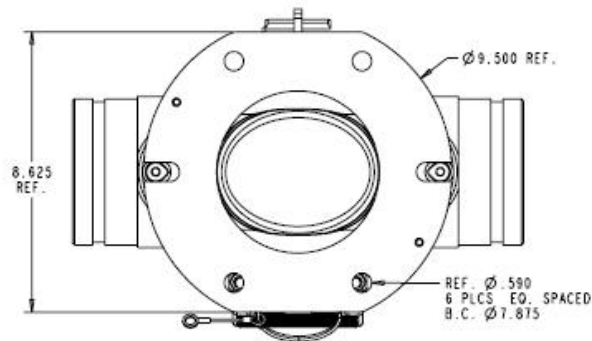
Width - 8 5/8"

Materials:

Special hardened ductile iron body, aluminum & stainless steel components

Weight:

25 lbs. (11.34 kg)



Ordering Specifications

Part Number	Description
TR-510PP	5" Iron Bottom Drop Tee, Plain-to-Plain
TR-510PP-PC	5" Iron Bottom Drop Tee, Plain-to-Plain - Powder Coated
TR-510GG	5" Iron Bottom Drop Tee, Groove-to-Groove
TR-510GG-PC	5" Iron Bottom Drop Tee, Groove-to-Groove - Powder Coated
TR-510GP	5" Iron Bottom Drop Tee, Groove-to-Plain
TR-510GP-PC	5" Iron Bottom Drop Tee, Groove-to-Plain - Powder Coated

