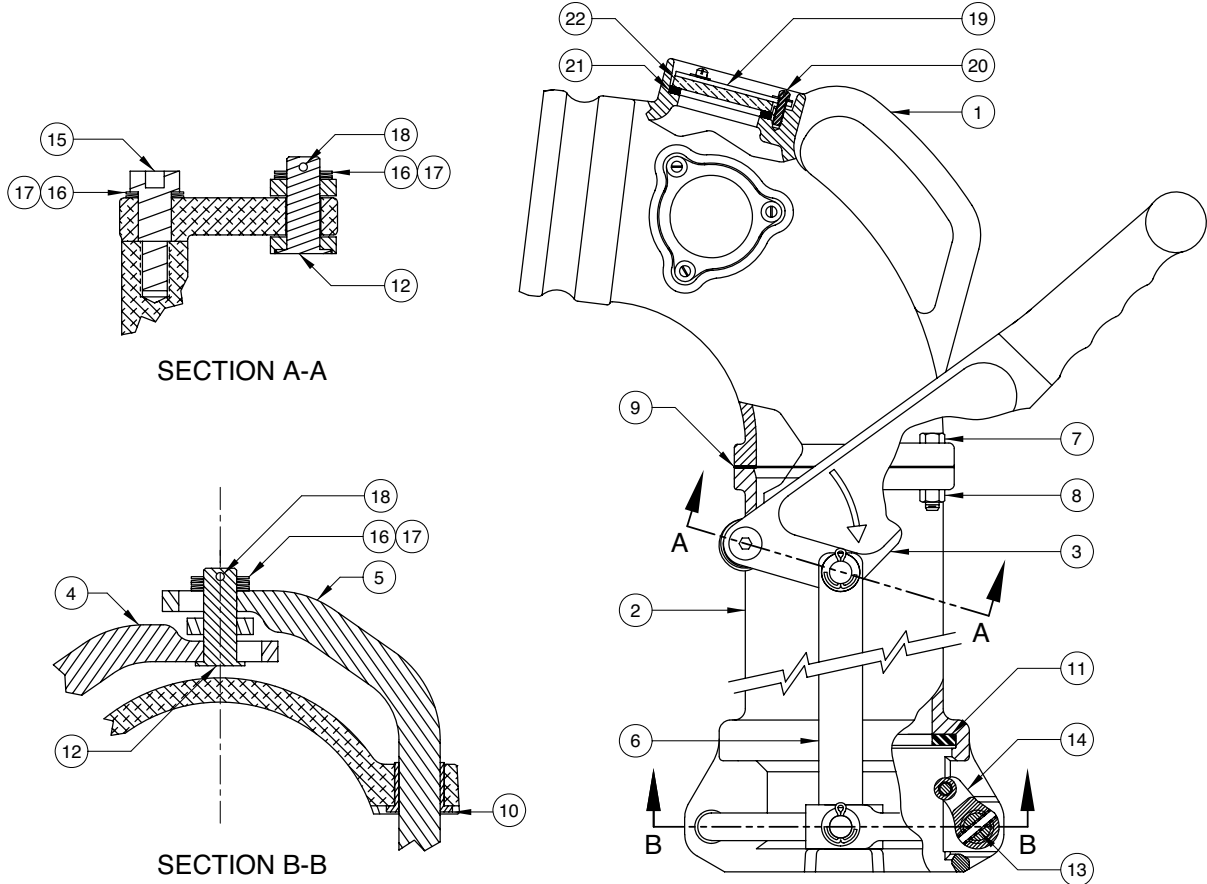




60TTT 4" Product Delivery Elbow

Replacement Parts

Rev. A, March 2006



ITEM	PART NUMBER	DESCRIPTION	QTY.
1	E00266A	UPPER BODY ⁴	1
2	E51638A	LOWER BODY (TALL)	1
3	C10125M	HANDLE ³	1
4	C10143M	DRIVE STEM (INNER) ³	1
5	C10144M	DRIVE STEM (OUTER) ³	1
6	C10145M	ELBOW LINK (TALL) ³	1
7	H03114M	HEX CAP SCREW	4
8	H06151M	HEX NUT	4
9	H10039M	GASKET (NEOPRENE FIBER)	1
10	H10090M	FLANGE BEARING	4
11	H04137M	SEAT RING (BUNA)	1
12	H20373M	PIN (CLEVIS) ³	2
13	H20476M	PIN (SPRING) ^{2,3}	2
14	H20495M	YOKE ASSEMBLY ²	2
15	H51427M	SHOULDER SCREW ³	1

ITEM	PART NUMBER	DESCRIPTION	QTY.
16	H03866M	FLAT WASHER ³	6
17	H10088M	SPRING WASHER ³	4
18	H51787M	COTTER PIN ³	2
19	H04135M	RETAINING PLATE ^{1,4}	3
20	H52471M	SCREW ^{1,4}	9
21	H20010M	GASKET (BUNA) ^{1,4}	3
22	H20583M	WINDOW ^{1,4}	3

REPAIR KITS		
PART NUMBER	DESCRIPTION	QTY.
E00266	UPPER BODY ASSY (W / WINDOWS)	N/A
60WRK	WINDOW REPLACEMENT KIT	N/A
60TTK	YOKE ASSEMBLY REPLACEMENT KIT	N/A
60TTTRK	HANDLE/LINKAGE REPLACEMENT KIT	N/A

1 - Included in 60WRK, 2 - Included in 60TTK, 3 - Included in 60TTTRK, 4 - Included in E00254