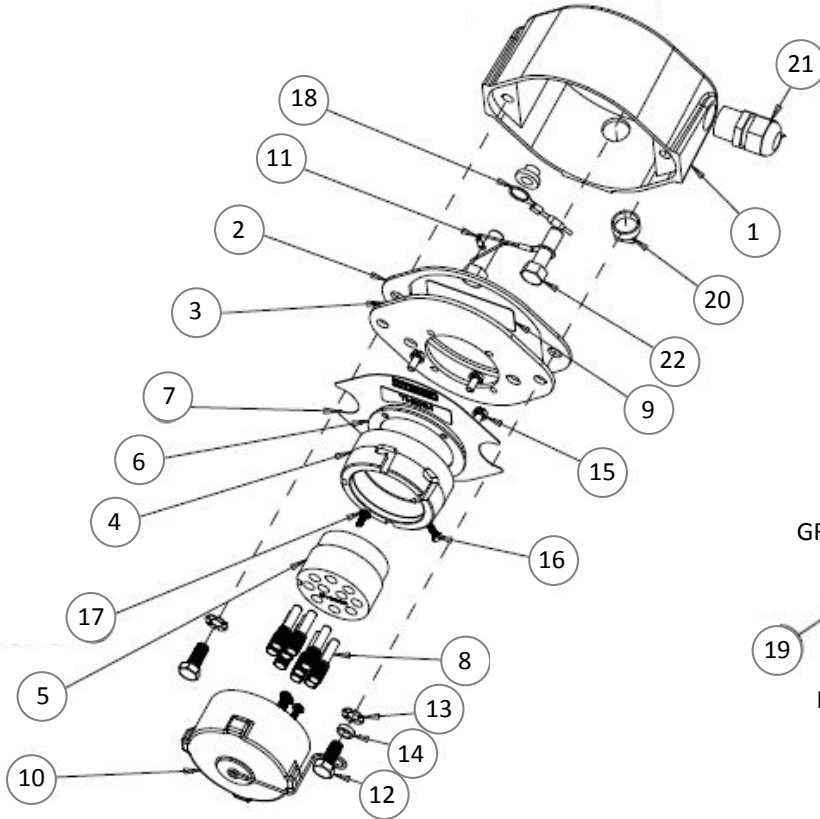
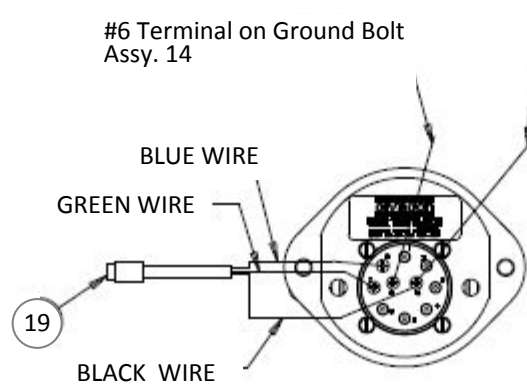


4402RL ROMLink THERMISTOR SOCKET



#6 Terminal on Ground Wire
Item #19

#6 Terminal on Ground Bolt
Assy. 14



ITEM	PART NUMBER	DESCRIPTION	QTY.
1	D40100A	SOCKET BODY	1
2	H50064M	GASKET	1
3	H52962M	ADAPTOR PLATE	1
4	C40151A-4	3 J-SLOT	1
5	C40011M	BLOCK	1
6	H52479M	GASKET (Neoprene)	1
7	H52961M-GREEN	THERMISTOR LABEL	1
8	H50616M	INSERT BUTTON	10
9	C51503M	LABEL	1
10	4150-4150	REPLACEMENT CAP	1
11	H52910M	SAF-T GROUND	1

ITEM	PART NUMBER	DESCRIPTION	QTY.
12	H50108M	HEX SCREW	2
13	H50250M	WASHER	2
14	H50291M	SPACER	1
15	H53048M	HEX SCREW	4
16	H50074M	SCREW	1
17	H50623M-2	SCREW	10
18	H50618M	GROUND WIRE	1
19	CIV-S100	PIGTAIL 32"	1
20	H51916M	PLUG	2
21	H50221M	STRAIN RELIEF	1
22	6112	HEX BOLT	1