

A

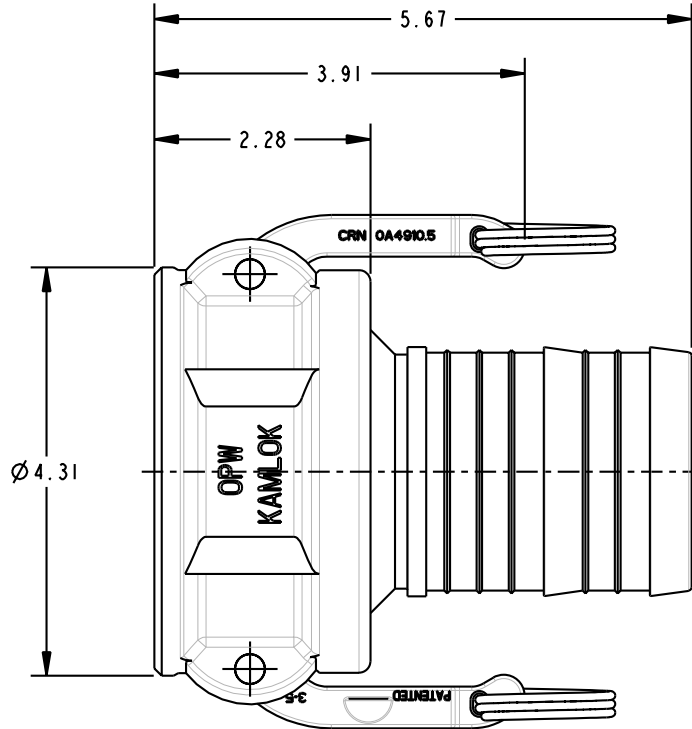
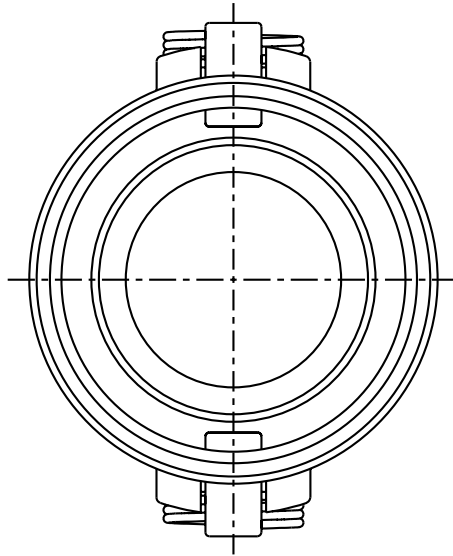
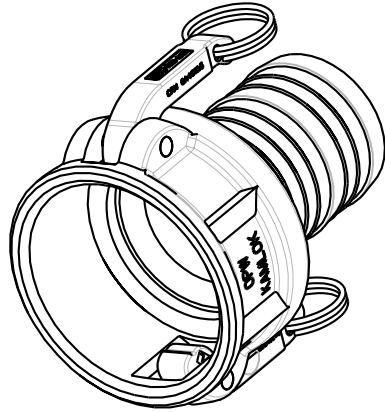
B

C

D

THIS DRAWING IS NOT TO BE SCALED. FOR ADDITIONAL INFORMATION, PLEASE CONTACT OUR ENGINEERING DEPT.

REVISIONS					
LTR	ECH #	DESCRIPTION	DRAWN	APPROVED	DATE
A	41587	REVISED COUPLER HOSE SHANK	JPR	NAC	03-25-08



1

2

3

4

1

2

3

4

CONFIDENTIAL THIS DOCUMENT CONTAINS INFORMATION WHICH IS PROPRIETARY TO OPW, AND SHOULD BE PROTECTED ACCORDINGLY.

DESCRIPTION: 633CH KAMLOK CPLR, SST, 3" X 2-1/2"

UNLESS OTHERWISE SPECIFIED
 TOLERANCES ON DIMENSIONS
 3 DECIMALS +/- 0.005
 2 DECIMALS +/- 0.015
 1 DECIMAL +/- 0.030
 ANGLES +/- 1/2 DEG
 MACHINED SURFACES 125 RMS MAX

SIGNATURES		MO-DA-YR
DRAWN:	SCK	06/06/05
CHECKED:	NAC	06-13-05
MATERIAL:	316 SST	WEIGHT: -

REV: A	PART NUMBER: 633CH-SS3025
SIZE: C	SCALE: 0.750 SHEET 2 OF 2

OPW Engineered Systems
 A **DOVER** Resources Company
 Lebanon, Ohio 45036 USA
 3D GENERATED DRAWING

A

B

C

D