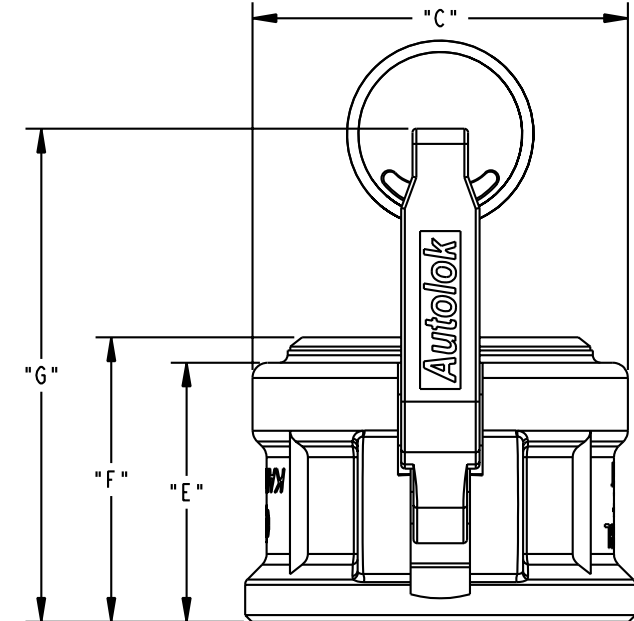
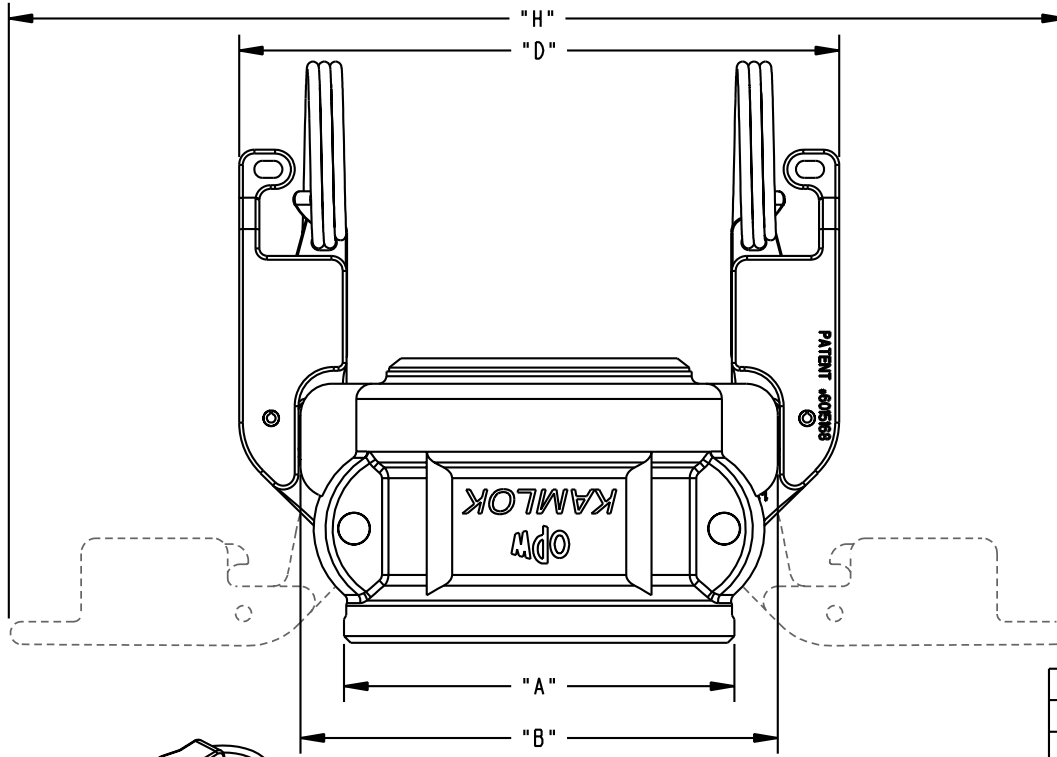
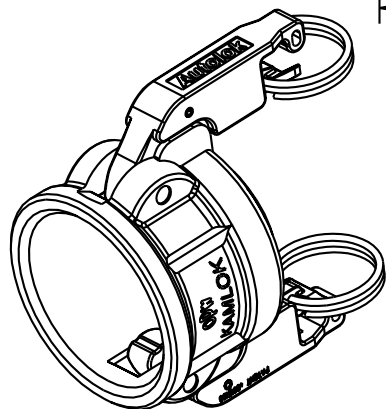


THIS DRAWING IS NOT TO BE SCALED. FOR ADDITIONAL INFORMATION, PLEASE CONTACT OUR ENGINEERING DEPT.

REVISIONS					
LTR	ECH #	DESCRIPTION	DRAWN	APPROVED	DATE
A	41367	UPDATED DIMS FOR REVISED ARMS	JPR	NAC	05-23-03



4" 733BLW	5.53	6.25	5.53	7.16	2.31	2.62	4.22	11.69
3" 733BLW	4.31	5.14	4.25	6.06	2.28	2.44	4.22	10.56
2-1/2" 733BLW	3.50	4.25	3.59	5.22	2.19	2.38	3.98	9.41
2" 733BLW	3.09	3.78	2.97	4.75	2.06	2.25	3.91	8.94
1-1/2" 733BLW	2.59	3.41	2.59	4.38	1.81	2.00	3.78	8.56
1-1/4" 733BLW	2.28	3.12	2.28	4.09	1.88	2.00	3.78	8.25
1" 733BLW	1.86	2.50	1.86	3.41	1.62	1.75	2.56	5.59
3/4" 733BLW	1.62	2.31	1.62	3.22	1.25	1.44	2.34	5.28
1/2" 733BLW	1.62	2.31	1.62	3.22	1.25	1.44	2.34	5.28
COUPLER SIZE	"A"	"B"	"C"	"D"	"E"	"F"	"G"	"H"



**CONFIDENTIAL** THIS DOCUMENT CONTAINS INFORMATION WHICH IS PROPRIETARY TO OPW, AND SHOULD BE PROTECTED ACCORDINGLY.

DESCRIPTION: **AUTOLOK COUPLER DIMENSIONS**

UNLESS OTHERWISE SPECIFIED  
 TOLERANCES ON DIMENSIONS  
 3 DECIMALS +/- 0.005  
 2 DECIMALS +/- 0.015  
 1 DECIMAL +/- 0.030  
 ANGLES +/- 1/2 DEG  
 MACHINED SURFACES 125 RMS MAX

SIGNATURES		MO-DA-YR
DRAWN:	JPR	07-03-01
CHECKED:	NAC	07-10-01
MATERIAL:	316 SST	WEIGHT: -

REV: A	PART NUMBER:
SIZE: C	<b>733BLW</b>
SCALE: NONE	SHEET 1 OF 1

**OPW** Engineered Systems  
 A **DOVER** Resources Company  
 Lebanon, Ohio 45036 USA  
 3D GENERATED DRAWING