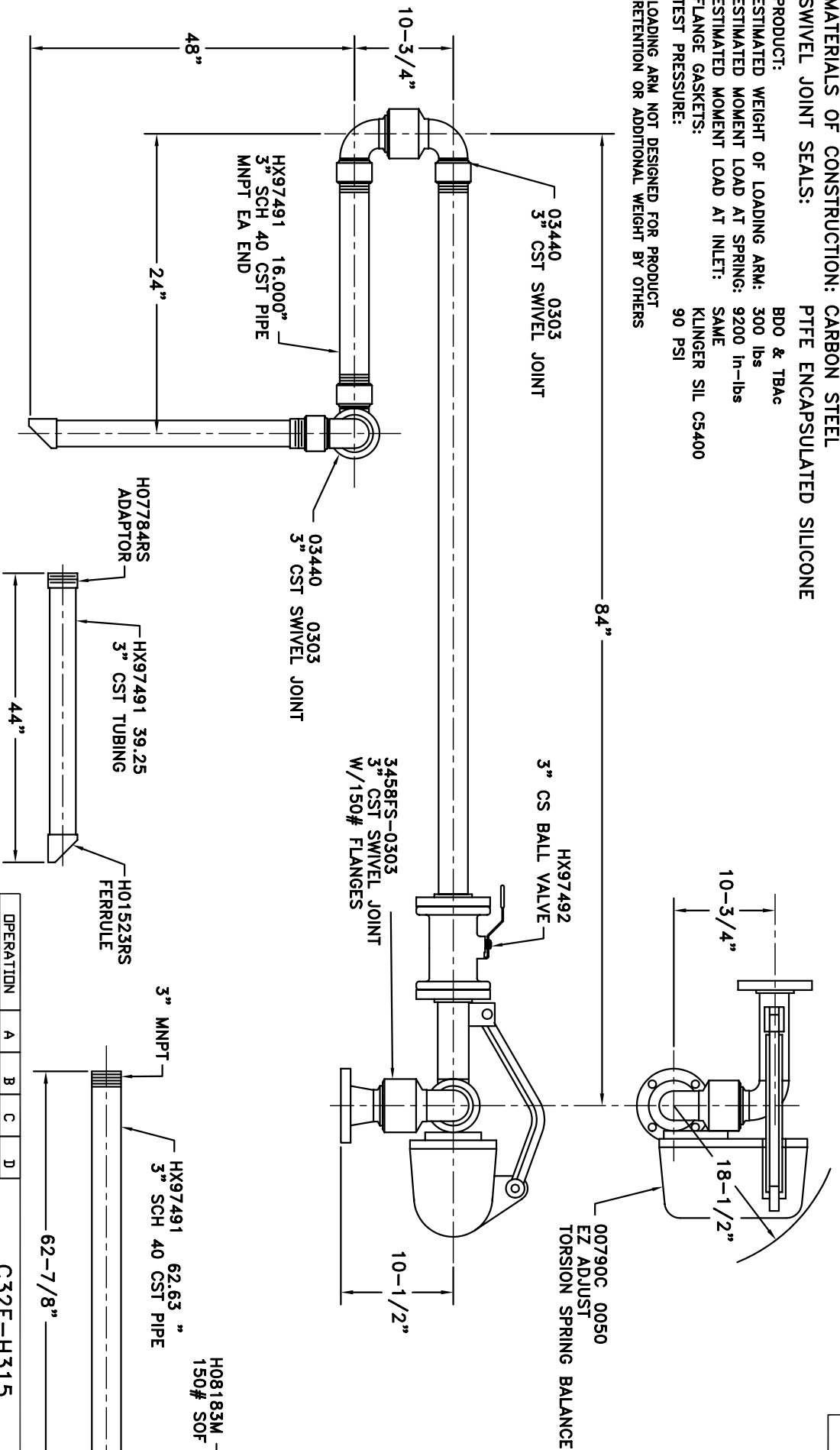


MATERIALS OF CONSTRUCTION: CARBON STEEL
 SWIVEL JOINT SEALS: PTFE ENCAPSULATED SILICONE

PRODUCT: BDO & TBAC
 ESTIMATED WEIGHT OF LOADING ARM: 300 lbs
 ESTIMATED MOMENT LOAD AT SPRING: 9200 In-lbs
 ESTIMATED MOMENT LOAD AT INLET: SAME
 FLANGE GASKETS: KLINGER SIL CS400
 TEST PRESSURE: 90 PSI
 LOADING ARM NOT DESIGNED FOR PRODUCT RETENTION OR ADDITIONAL WEIGHT BY OTHERS



OPERATION	A	B	C	D
WELD				
MACHINE				
ASSY & TEST				
ASSY ONLY				
TEST ONLY				
PAINT				

OPERATIONS PER ASSY:
 1. HIGHLIGHT RECD. OPERATIONS PER ASSY.
 2. RECORD CLOCK NO. WHEN COMPLETE.

DRAWN BY: BUB
 CHECKED BY:
 QUOTE NO. DRAWING: ND.

SCALE: NONE
 DATE: 5/4/09

C32F-H315
 3"

Engineered Systems