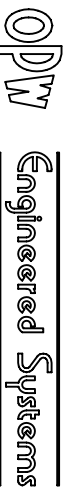
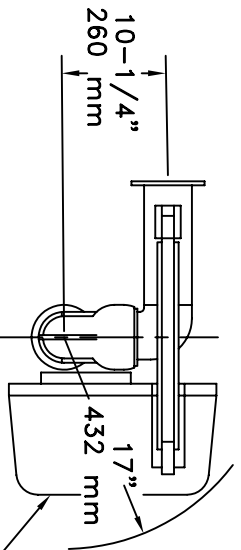


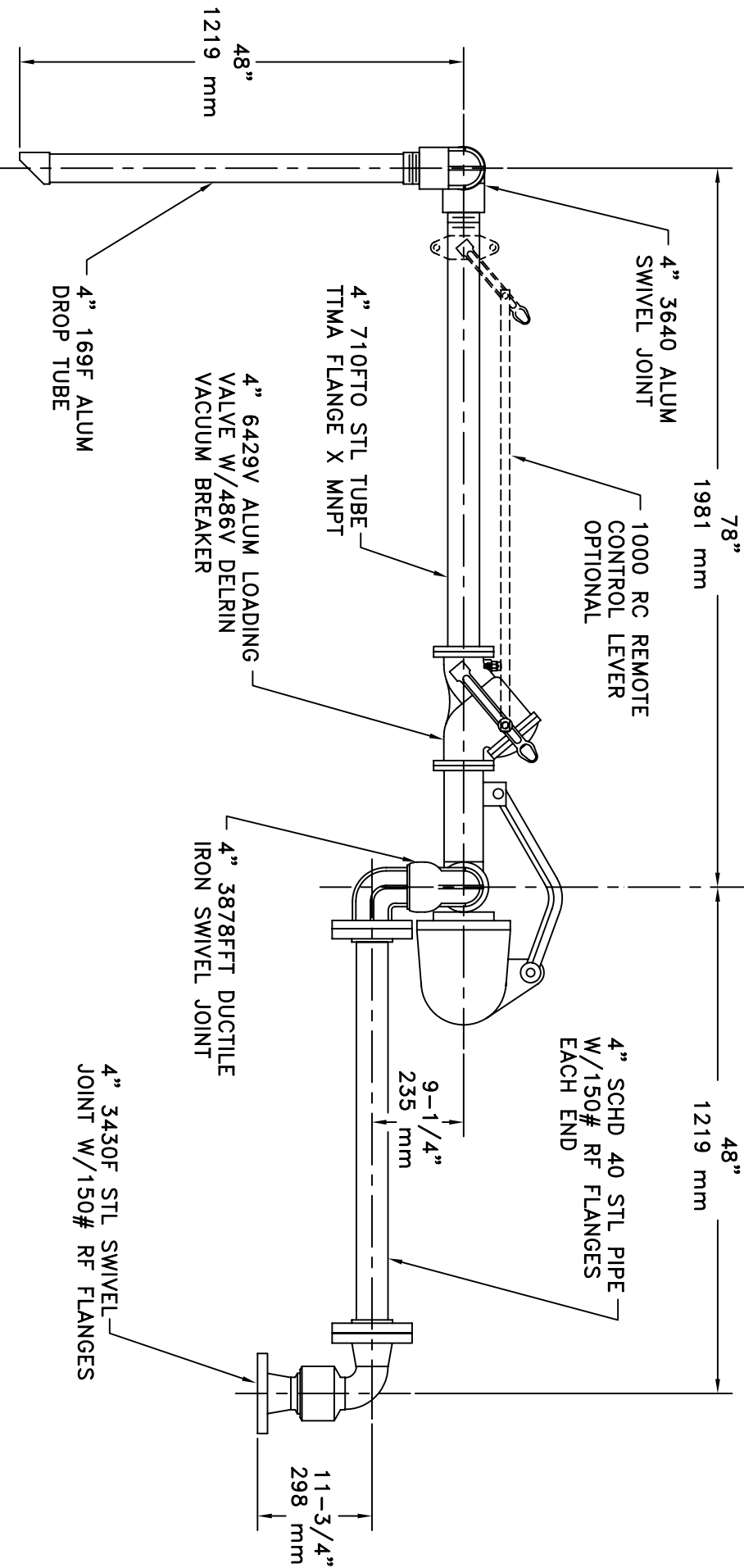
MATERIAL:
DUCTILE IRON / STEEL / ALUMINUM
VITON SEALS



4" OPW GT32F



788 TORSION
SPRING BALANCE



ARM IS DESIGNED FOR PRODUCT RETENTION UP TO POINT OF VALVE