

Modification Instructions for 71SO-TOOL and 71SO-TOOLC for Use Installing the 71SO-T Testable Overfill Prevention Valve

IMPORTANT INFORMATION - FOLLOW ALL INSTRUCTIONS

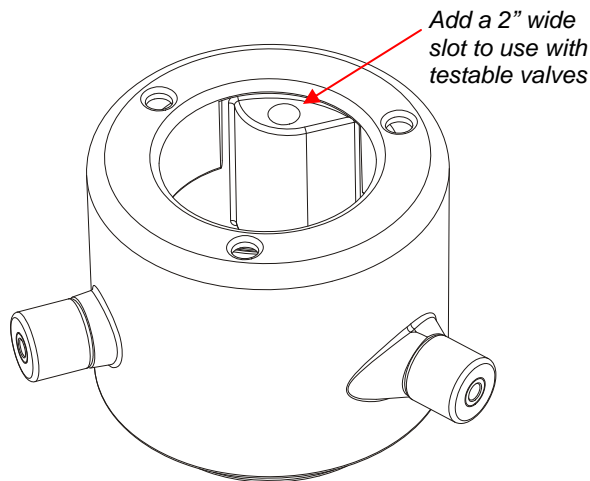
This Instruction Sheet contains instructions for modifying the 71SO-TOOL and 71SO-TOOLC if they are being used to install the 71SO-T Testable Overfill Prevention Valve. These instructions can also be found in the complete Installation Instruction Manual for the 71SO-T Testable Overfill Prevention Valve included with the product.

All OPW-FCS literature including installation instruction sheets and manuals can be accessed from the OPW-FCS website at: www.opwglobal.com.

The use of non-qualified personnel or any deviations from these recommended procedures could result in damage or leakage of the system.

Instructions for Modifying the 71SO-TOOL for Use with the 71SO-T Testable Overfill Prevention Valve

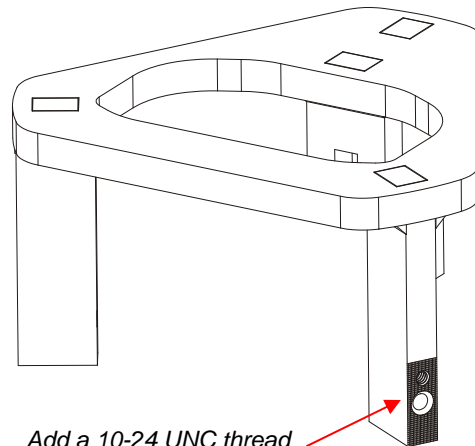
NOTE: The 71SO-TOOL can only be used with the Testable Overfill Valves if modified as shown below. A 2" wide slot must be added to accommodate the cast lug



71SO-TOOL Modifications for Testable Inlet

Instructions for Modifying the 71SO-TOOLC for Use with the 71SO-T Testable Overfill Prevention Valve

NOTE: The 71SO-TOOLC can only be used with the Testable Overfill Valves if modified as shown below:



Add a 10-24 UNC thread or similar to all three legs of the 71SO-TOOLC in the area shown. Use set screws to secure tool to upper tube.