



FlexWorks Double Wall Pipe Coupling (DPC Model)

Swivel Elbow Fitting (SEF Model)

Swivel Male Adaptor (SMA Model)

Swivel Tee Fitting (STF Model)

Swivel Couplings and Fittings for Primary Pipe

FlexWorks swivel couplings and fittings are used to interconnect flexible piping. These UL/ULC-listed stainless steel couplings must be contained within containment sumps and not directly buried. The pipe connection system includes an internally expanded stainless steel coupling attached to the end of a flexible pipe section.

Double-Wall Couplings

Double-wall swivel couplings eliminate the need for cutting back the secondary jacket and rubber test boots. They have an integral interstitial access port for connector and test tubes.

These double-wall couplings permit higher interstitial testing pressures and eliminate added parts and labor costs.

Features & Benefits:

- ◆ UL/ULC-listed for use with Flex piping
- ◆ Quick, easy to install
- ◆ All stainless steel couplings
- ◆ Internally expanded couplings
- ◆ Permanent Interstitial Test Port

3" Double Wall Coupling **NEW**

- ◆ Fully compatible with our 3" FlexWorks Piping
- ◆ Interstice integrated with the pipe secondary

Double-Wall Swivel Pipe Couplings

Double-Wall Swivel Pipe Couplings are a proven coupling and fitting system designed exclusively for use with FlexWorks Piping.

Double-Wall swivel couplings and fittings are of a double-wall design and are used to interconnect FlexWorks flexible piping. These UL/ULC-listed stainless steel couplings must be contained within containment sumps and not directly buried.

This pipe connection system includes an internally expanded stainless steel coupling attached to the end of a FlexWorks pipe section. The swivel coupling has a smooth sealing face fitted with a Viton® ring gasket.

Double-wall swivel couplings eliminate the need for cutting back the secondary jacket and rubber test boots. They have an integral interstitial access port for connector and test tubes.

These double-wall couplings permit higher interstitial testing pressures and eliminate added parts and labor costs.



Double Wall Pipe Coupling (DPC Model)

Double-wall pipe couplings require the use of an OPW Retail Fueling coupling machine to internally expand the stainless steel fitting onto the end of a FlexWorks pipe section.

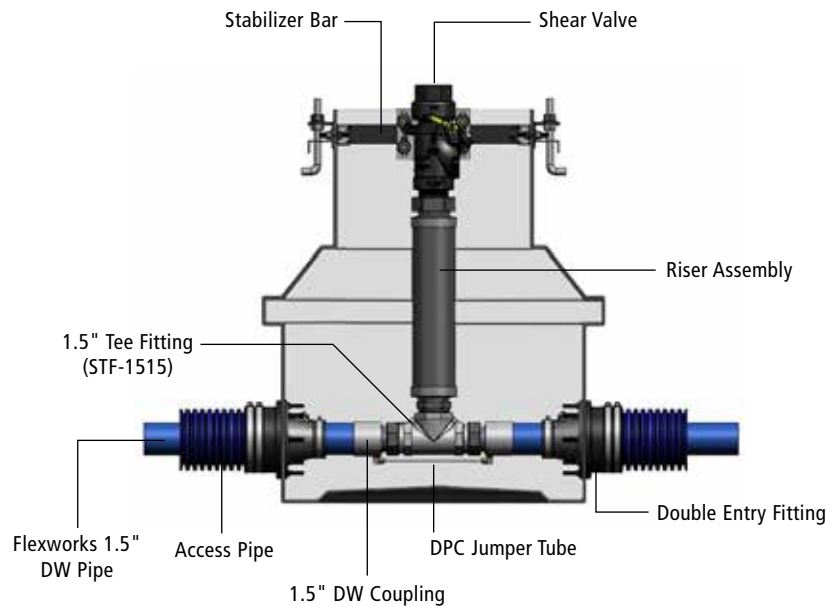
Internally expanded couplings have a long, successful history of reliable performance.

Features & Benefits:

- ◆ Crush and puncture-resistant
- ◆ Semi-smooth liner facilitates ease of installation
- ◆ Saves you time and money
- ◆ No buried joints

NEW 3" Double Wall Coupling

- ◆ Fully compatible with our 3" FlexWorks Piping
- ◆ Interstice integrated with the pipe secondary



Ordering Specifications - FlexWorks Double Wall Swivel Couplings and Fittings

Part #	Application	Packaging
DPC-2150A	1.5" Double-Wall Swivel Pipe Coupling, Flat Gasket	EA
DPC-2200A	2" Double-Wall Swivel Pipe Coupling, Flat Gasket	
DPC-2300A	3" Double Wall Couplings	

Ordering Specifications* - FlexWorks Swedge-On Couplings and Fittings

Model	Application
SPC-0075	3/4" Pipe Coupling, Male NPT*
SPC-0100	1" Pipe Coupling, Male NPT
SPC-0150A	1.5" Swivel Coupling, Flat Gasket
SGP-0150	1.5" Swivel Gasket Pack for SPC-0150 (6 ea)
SGP-0200	2" Swivel Gasket Pack for SPC-0200 (6 ea.)
SGP-0300	3" Swivel for SPC-0300 (6 ea)
SPC-0200A	2" Swivel Coupling, Flat Gasket
SPC-0300	3" Swivel Coupling, Flat Gasket
STC-0150	1.5" Swivel Test Coupling
STC-0200	2" Swivel Test Coupling
STC-0300	3" Swivel Test Coupling
DPC-2150A	1.5" Double Wall Swivel Pipe Coupling, Flat Gasket
DPC-2200A	2" Double Wall Swivel Pipe Coupling, Flat Gasket
DPC-2300A	3" Double Wall Couplings
SFA-7575	3/4" Adaptor, 3/4" Female NPT to 3/4" Female NPT
SMA-7575	3/4" Adaptor, 3/4" Female NPT to 3/4" Male NPT
SFA-1010	1" Adaptor, 1" Female NPT to 1" Female NPT
SMA-1010	1" Adaptor, 1" Male NPT to 1" Female NPT
SMA-1515	1.5" Adaptor, 1.5" NPSH to 1.5" NPT
SMA-1520	1.5" Adaptor, 1.5" NPSH to 2" Male NPT
SMA-2020	2" Adaptor, 2" NPSH to 2" Male NPT
SMA-3030	3" Adaptor, 3" NPSH to 3" NPT
STF-1515	1.5" Tee, 1.5" NPSH x 1.5" NPSH x 1.5" NPT
STF-2020	2" Tee, 2" NPSH x 2" NPSH x 2" NPT
STF-2215	2" Tee, 2" NPSH x 2" NPSH x 1.5" NPT
STF-3030	3" Tee, 3" NPSH x 3" NPSH x 3" NPT
SEF-1515	1.5" Elbow, 1.5" NPSH x 1.5" NPT
SEF-2020	2" Elbow, 2" Female NPT to 2" Male NPSH*
SEF-3030	3" Elbow, 3" NPSH x 3" NPT
SRE-2015	2" Elbow Reducer, 2" NPSH x 1.5" NPT
SCC-2015	2" Reducer, 2" NPSH to 1.5" NPSH
SRT-2151	2" Reducer, 2" NPSH x 1.5" NPSH x 1.5" NPT
SCC-1515	1.5" Connector, 1.5" NPSH to 1.5" NPSH
SCC-2020	2" Connector, 2" NPSH to 2" NPSH
SCC-3030	3" Connector, 3" NPSH to 3" NPSH

NEW



Single Wall Pipe Coupling (SPC Model)



Double Wall Pipe Coupling (DPC Model)



Adaptor (SMA Model)



Tee (STF Model)



Elbow (SEF Model)

*British Fittings are available in Europe. Please contact OPW-EMEA Customer Service at +420-474-624-025.