

TSE Tank Sump

Using the same innovative Advanced Composite Technology as the DSE, OPW is proud to introduce the TSE Tank Sump.

The industry's first all fiberglass/composite containment system utilizing sheet molded compounds (SMC) to create a high-quality solution that quickly creates cost-effective peace of mind for retail petroleum operators.

Smooth Sides, Inside and Out

As the only manufacturer in the industry using Advanced Composite Technology, OPW's E-Series are the only fiberglass sumps with smooth walls on the inside and outside of the sump. Smooth sides bond better to prevent leaks and other maintenance needs.

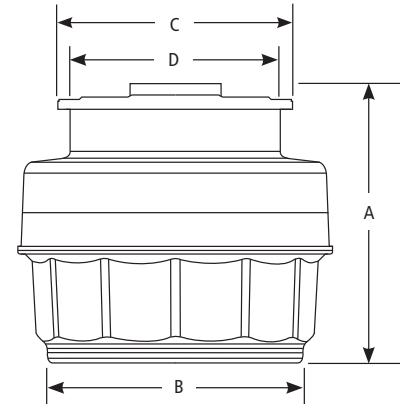
Materials:

- Body:** Fiberglass
- Cover/Lid:** Fiberglass
- Water Tight Seal:** Stainless-Steel/Nitrile
- Compression Seal:** Nitrile



Features & Benefits:

- ◆ The shortest lead times of any fiberglass sumps in the industry
- ◆ Consistent thickness and smooth surfaces for a watertight seal
- ◆ Built with legendary OPW quality, service, support and value
- ◆ Value-priced to compete against any fiberglass sumps on the market



Ordering Specifications - TSE Tank Sumps

Part Number	Sump Mount Design	Cover Style	A		B	C	D	Additional RK-5000 Resin Kits Needed for Top Hat Attachment (Sold Separately)	Additional RK-5000 Resin Kits Needed for Collar Ring Attachment (Sold Separately)
			Maximum Sump Height	Minimum Sump Height	Sump Base Diameter	Sump Lid Diameter	Minimum Diameter Opening		
TSE-4233CR*	Collar Ring	Compression	43"	30"	42"	34"	33"	1	1
TSE-4233SB*	Solid Bottom	Compression	43"	30"	42"	34"	33"	1	-
TSE-4233CR-WT	Collar Ring	Locking L Handles	45"	33.5"	42"	34"	29"	1	1
TSE-4233SB-WT	Solid Bottom	Locking L Handles	46"	33.5"	42"	34"	29"	1	-

*For Compression Style TSE Lids, (1) tube of SL-1100 is recommended for installation of seal.

Replacement Parts/Accessories

Part #	Description
TSEBASE-42CR	TSE 42" Medium Bury Collar Mount
TSEBASE-42SB	TSE 42" Medium Bury Solid Bottom
TSE-4233TH*	TSE Top Hat Compression Style
TSE-4233TH-WT	TSE Top Hat SS Ring - Locking L Handle
TSE-LID	TSE Lid - Compression Style
4233-TH	TSE Lid - Locking L Handle
TSE-SEAL	TSE Seal Kit for TSE-4233CR and TSE-4233SB
216662	TSE Lid Center Handle (Used on TSE-LID and WT-33SL)
210474	TSE Lid Center Handle Screws (2 required)

*For Compression Style TSE Lids, (1) tube of SL-1100 is recommended for installation of seal.



Listings and Certifications

