

THE LOOP SYSTEM™ ORDERING GUIDE



OPW 
RETAIL FUELING
a **DOVER** company

OPWRetailFueling.com

Loop
SYSTEM

FUELED BY
EXCELLENCE

The Loop System contains fewer parts to stock and install



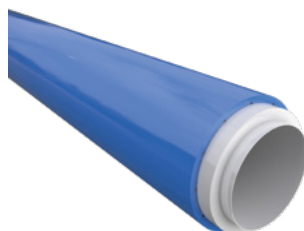
ABOVEGROUND MAINTENANCE, ABOVE & BEYOND PERFORMANCE



**ELECTROTITE
TANK SUMPS**



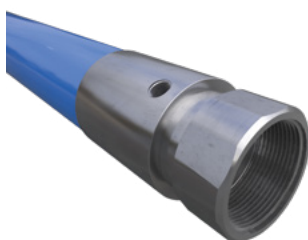
**DUAL-LAYER
ACCESS PIPES**



**UL 971-LISTED
COAXIAL PIPES**



**DUAL-SIDED RIGID
ENTRY FITTINGS**



**DOUBLE-WALL PIPE
COUPLINGS (DPC)**



**RENEWABLE FUEL (RF)
10 PLUS
EMERGENCY
VALVES**



**PRE-FABRICATED
QUICK-COUPLE
DISPENSER SUMPS**



**HIFLO DISPENSER
SUMPS**

The Loop System™ Ordering Guide



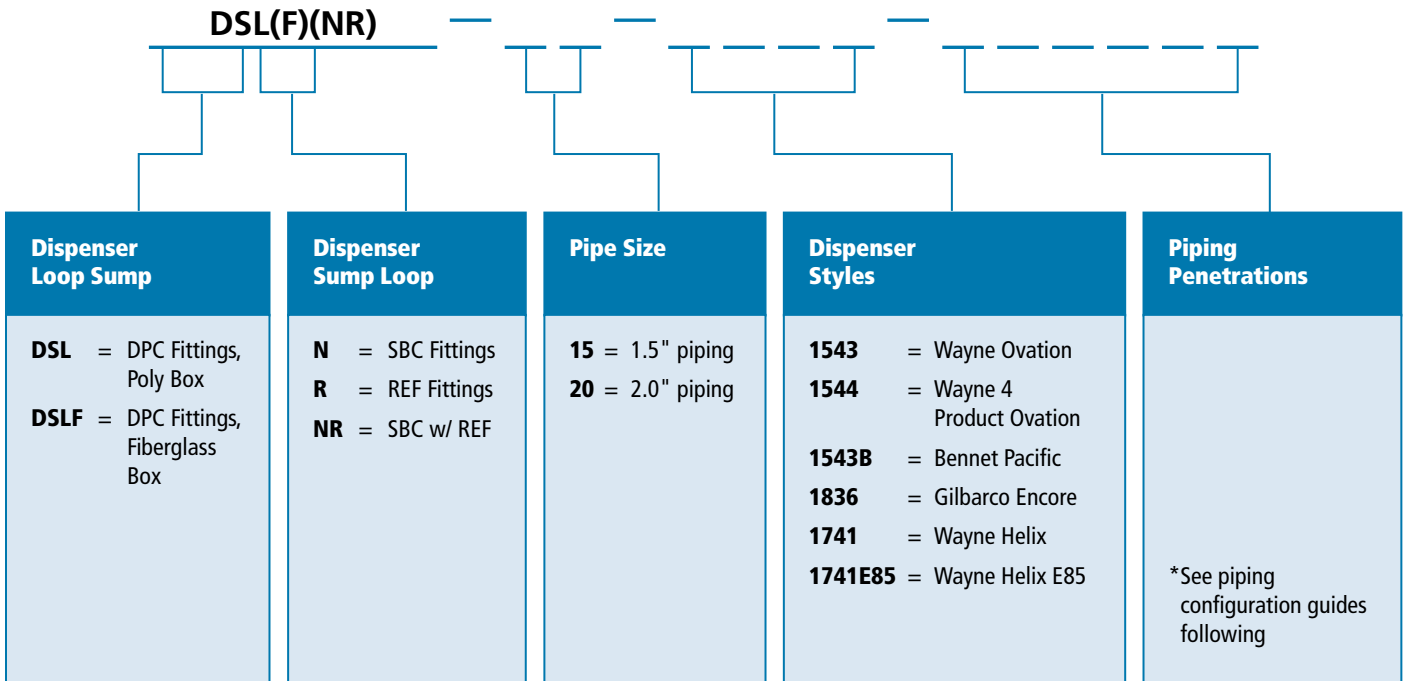
Loop System Dispenser Sumps are shipped complete with factory-installed pipe entry fittings, OPW 10 Plus Renewable Fuel (RF) Shear Valves, and Stabilizer Bars. Each Dispenser Sump has been assigned a custom Sump Configuration Number based on the number and position of pipe entries into the sump. Each Sump Product Number reflects this configuration number as well as materials used and for the application needed. The guide below explains the Product Number in detail.



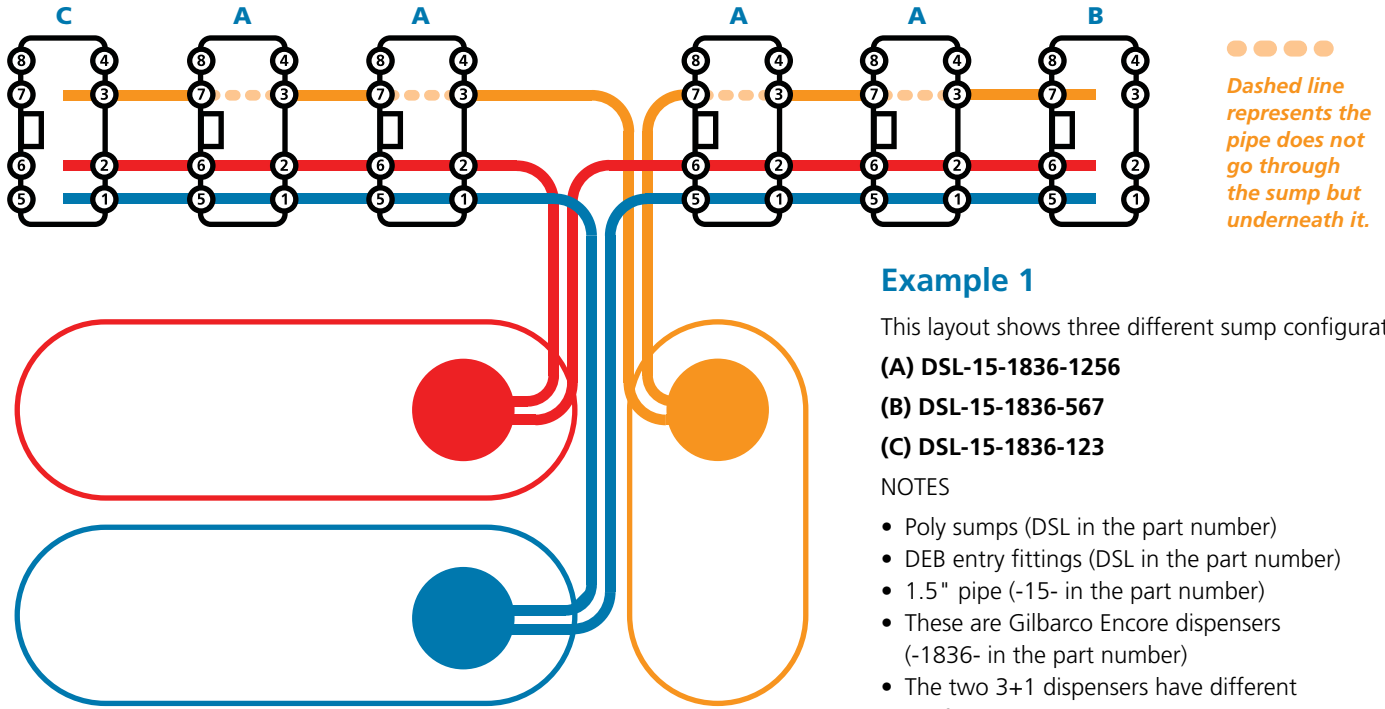
Benefits

- 50% Faster Installation Times
- 100% Accessible No Breaking Concrete
- Double Containment Protection
- Completely Testable
- End-to-End Monitoring
- Fewer Parts to Stock and Install
- Renewable Fuel (RF) Emergency Shear valves come standard on all Loop Sumps

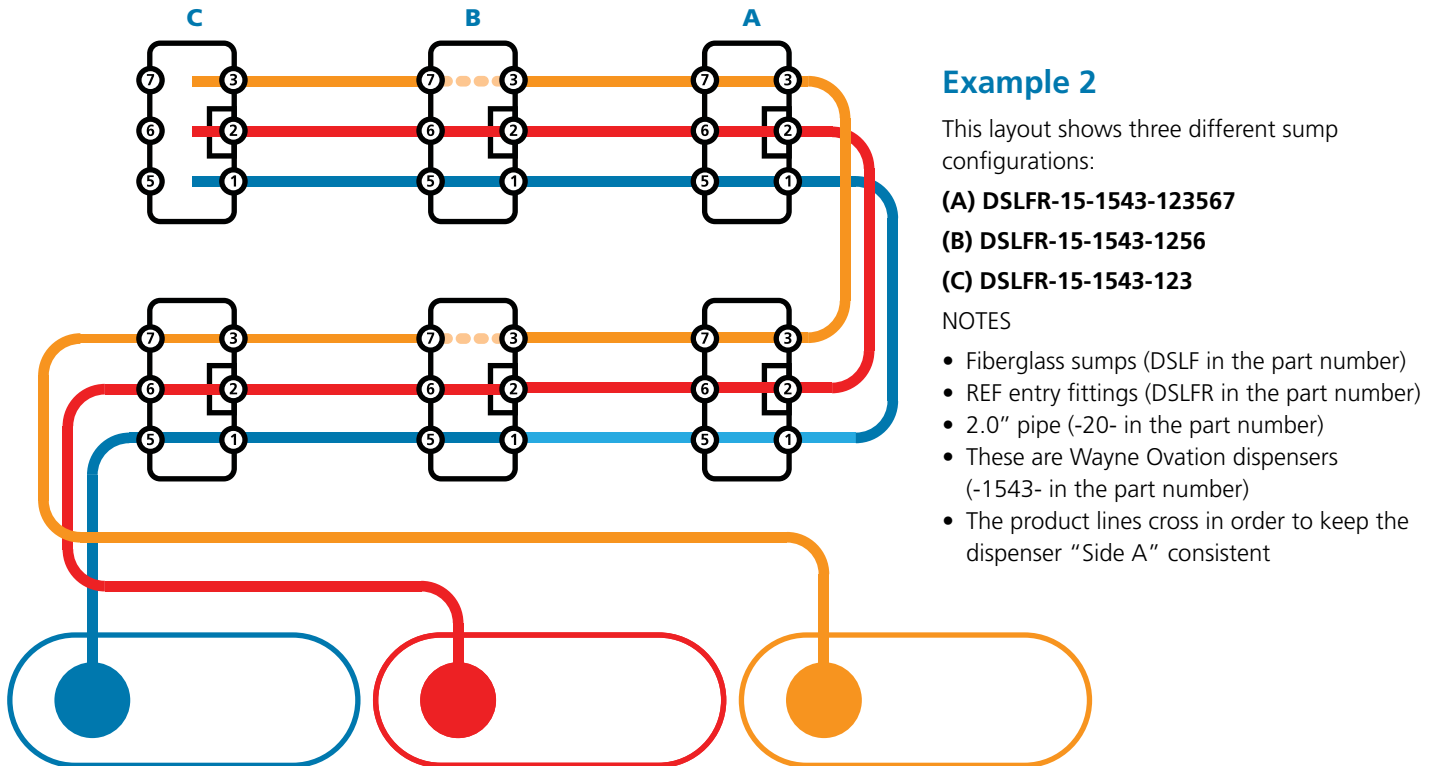
Ordering Guide



Forecourt Examples



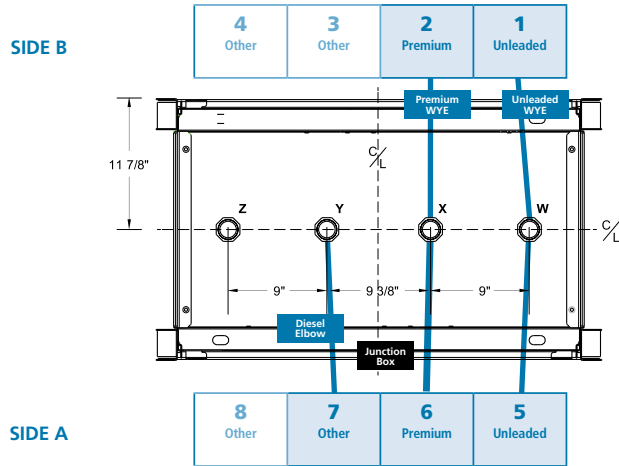
CONTACT CUSTOMER SERVICE FOR CUSTOM CONFIGURATIONS



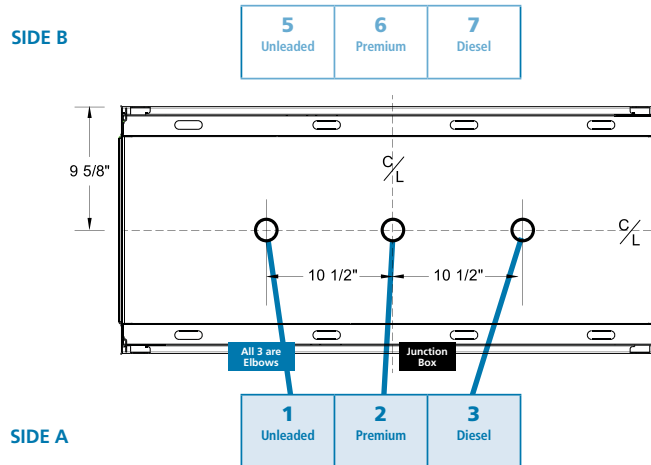
CONTACT CUSTOMER SERVICE FOR CUSTOM CONFIGURATIONS

The Loop System™ Ordering Guide

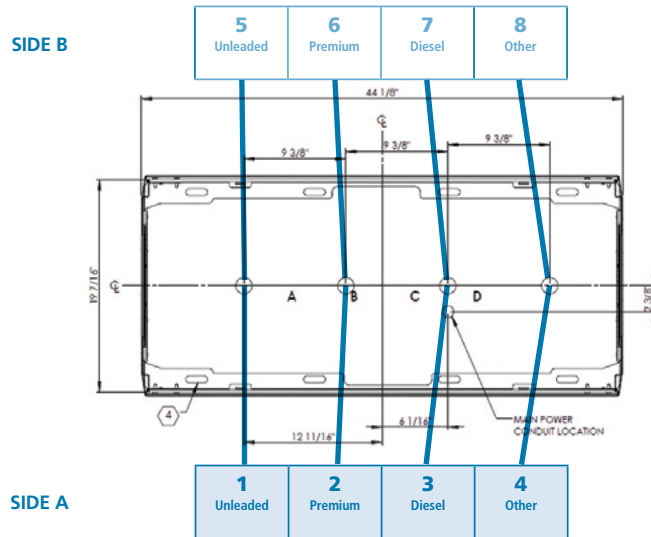
Gilbarco Encore



Wayne Ovation



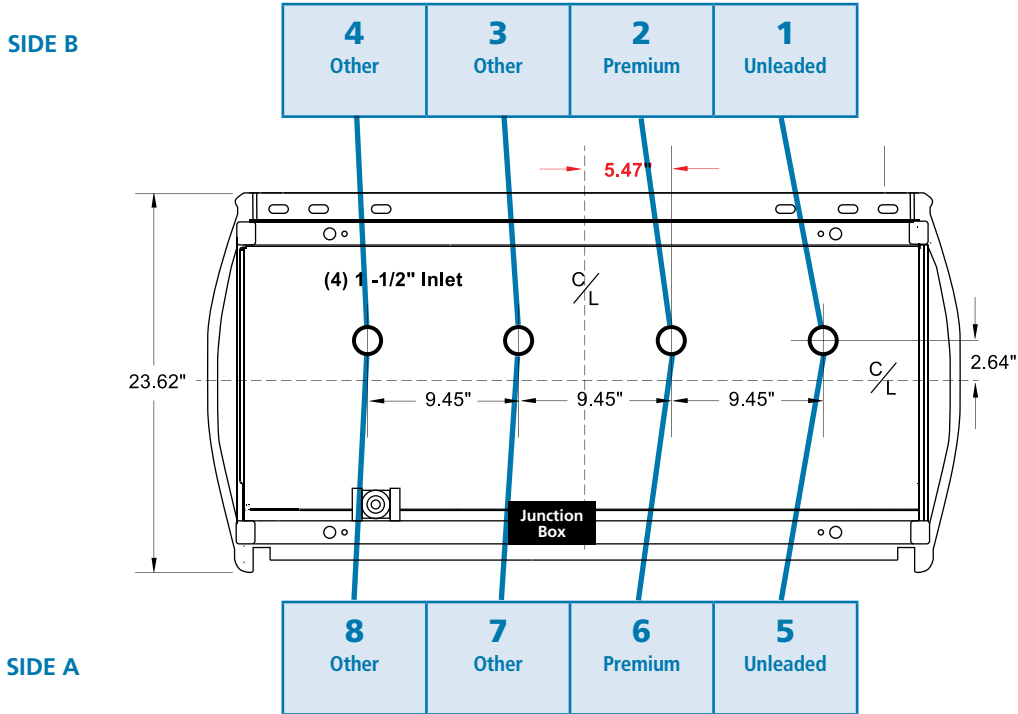
Wayne Four Product



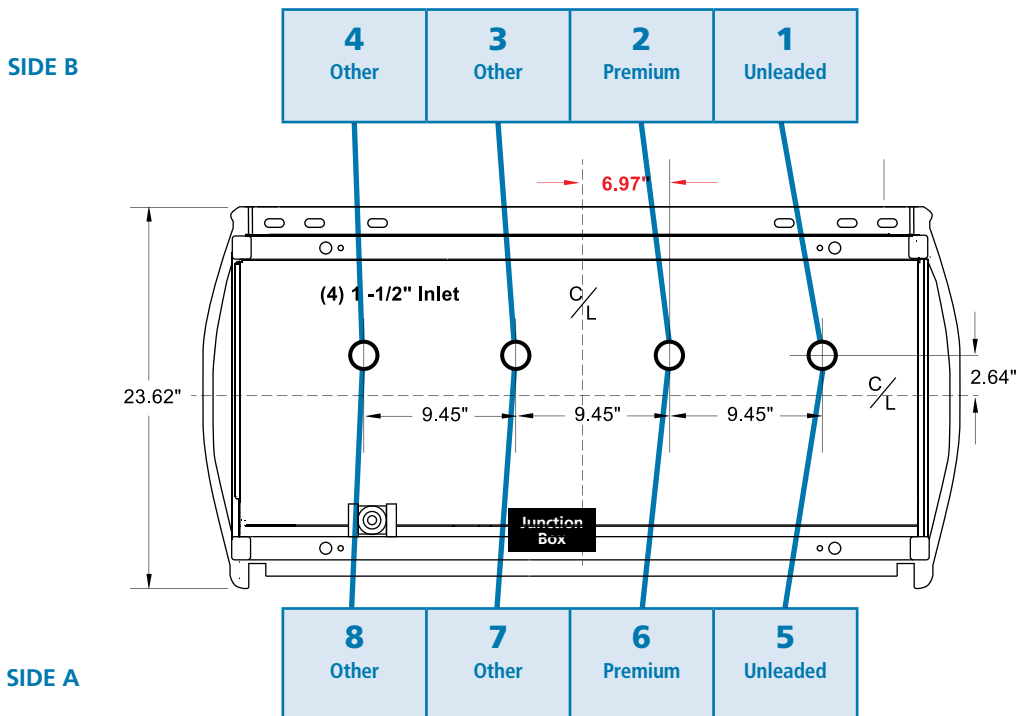
TOP VIEW OF BASES

The Loop System™ Ordering Guide

Wayne Helix



Wayne Helix E85



TOP VIEW OF BASES

The HiFlo Loop System™ Ordering Guide

The patented OPW HiFlo Loop System™ represents the state of the art in Retail Fueling containment technology offering a completely integrated, environmentally secure underground fuel-delivery system. By design, the system employs pre-fabricated and factory-assembled components resulting in dramatically less field labor, lower associated costs, and reduced potential for installation errors. The installed product preserves complete underground access to all piping connections, piping runs, and containment sumps. This unprecedented level of access allows for hassle-free inspections and maintenance without ever having to disrupt the business of the site with excavation. The HiFlo Loop System incorporates field-proven OPW technology to provide the same peace-of-mind that customers have come to expect from the traditional Retail Loop System.

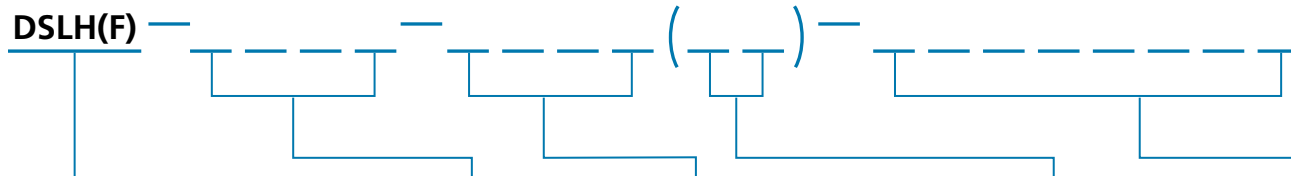


Benefits

- **Compatible with Ovation and Encore High-Speed Dispensers**
- **Configurable for any Master->Satellite setup**
- **Standard on all Loop Sumps, Renewable Fuel (RF) 10 Plus provides best-in-class flow and protection**
- **New Hybrid Entry Fitting (HEF) combines the benefits of REF outside the sump with the flexibility of DEB on the inner sump**
- **1.5" or 2" satellite line options**

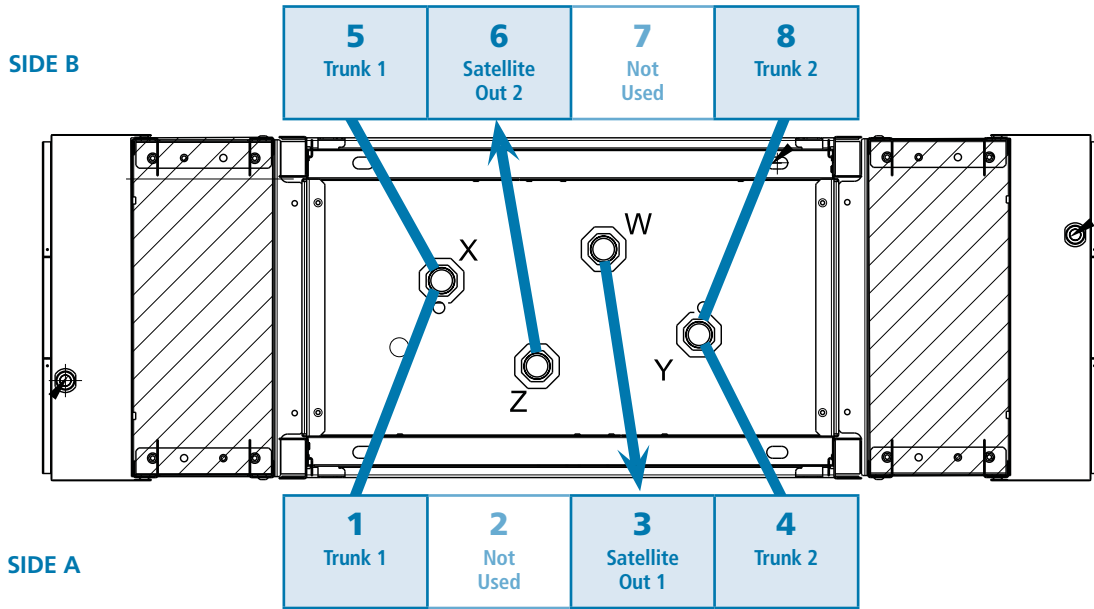
- Providing a radically new solution to minimize traditional fuel-delivery system problems.
- **The End Result** – An exponentially higher level of environmental protection and lower cost of fuel-delivery system ownership.

Ordering Guide

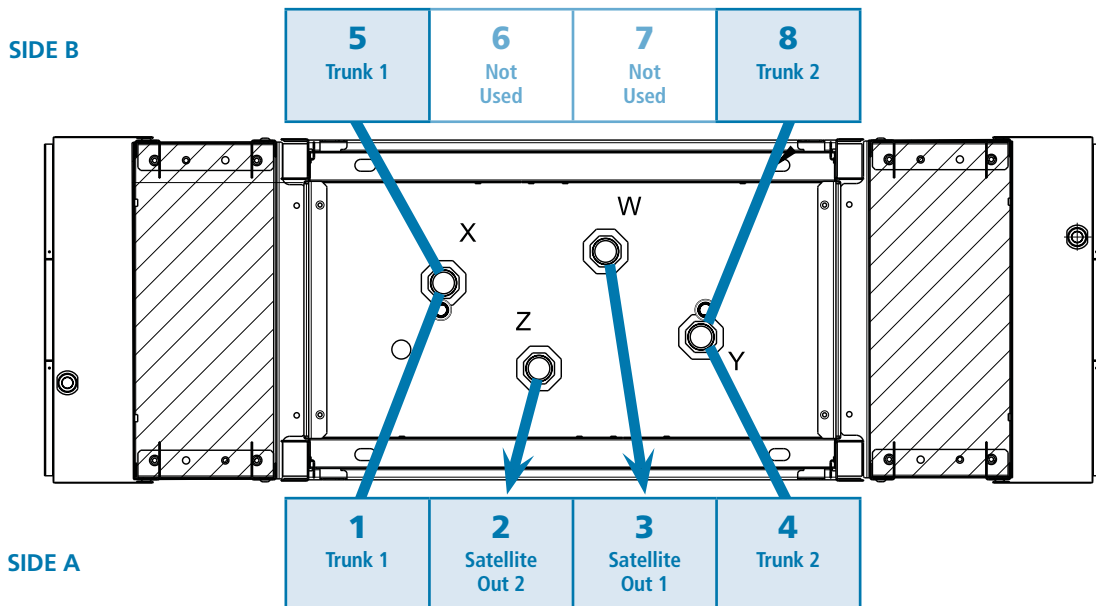


Dispenser Sump Loop, HiFlo	Line Sizes	Dispenser Style	Ovation Options (As Needed)	Configuration Layout
<p>DSLH = Poly, DPC Fittings</p> <p>DSLHF = Fiberglass, DPC Fittings</p> <p>DSLHN* = Poly, SBC Fittings</p> <p>DSLHFN* = Fiberglass, SBC Fittings</p> <p>*Only available for 2" trunk lines</p>	<p>20 = 2" Trunk</p> <p>2015 = 2" Trunk, 1.5" Satellite</p> <p>30 = 3" Trunk</p> <p>3015 = 3" Trunk, 1.5" Satellite</p> <p>23 = 2" x 3" Trunk*</p> <p>32 = 3" x 2" Trunk*</p> <p>XX = No Trunk, Satellite Dispenser</p> <p>XX15 = No Trunk, Satellite Dispenser</p> <p>*First number indicates Side A, Second number indicates Side B</p>	<p>1535L = Ovation HS, DEF Left</p> <p>1535R = Ovation HS, DEF Right</p> <p>1543 = Ovation HS</p> <p>1836 = Gilbarco Encore</p> <p>1836M = Gilbarco Encore Master</p>	<p>D = Dual Master</p> <p>T = With Strainer</p>	<p>See footprint charts</p>

Encore Ultra-High Master (1836M)

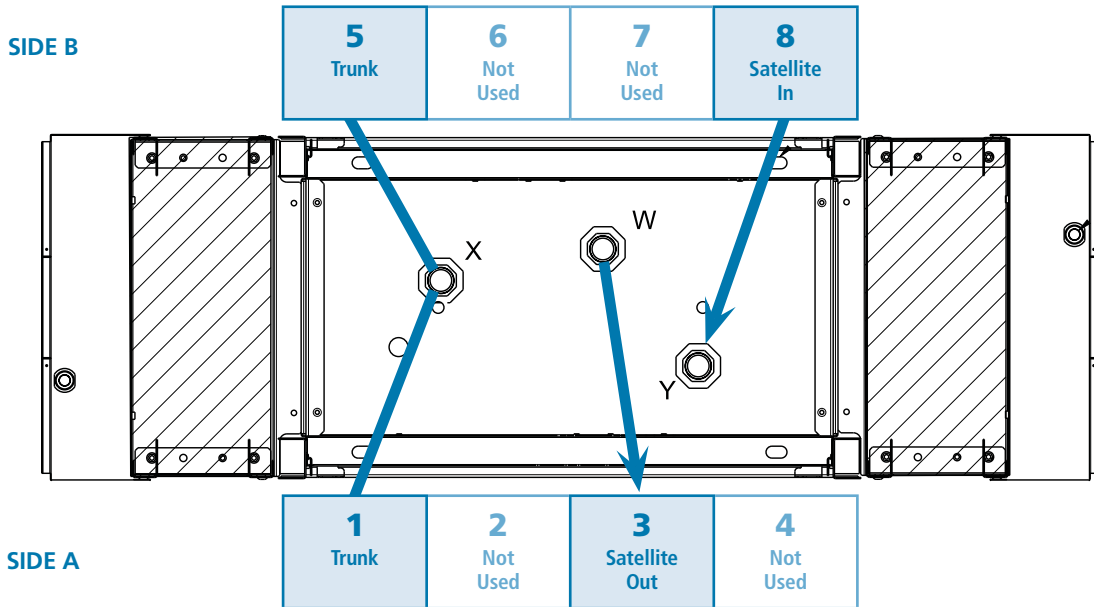


Encore Ultra-High, Single-Sided Master (1836M)

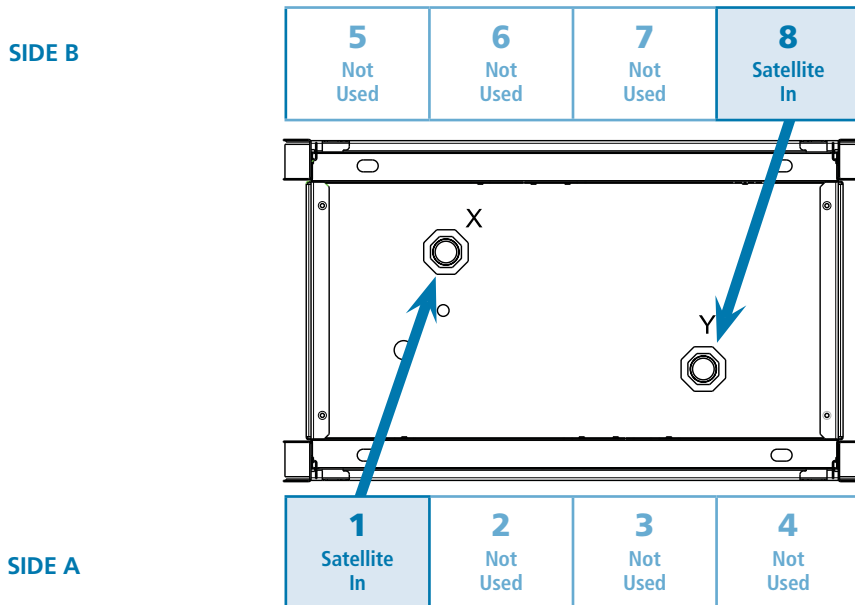


TOP VIEW OF BASES

Encore Ultra-High Master/Satellite

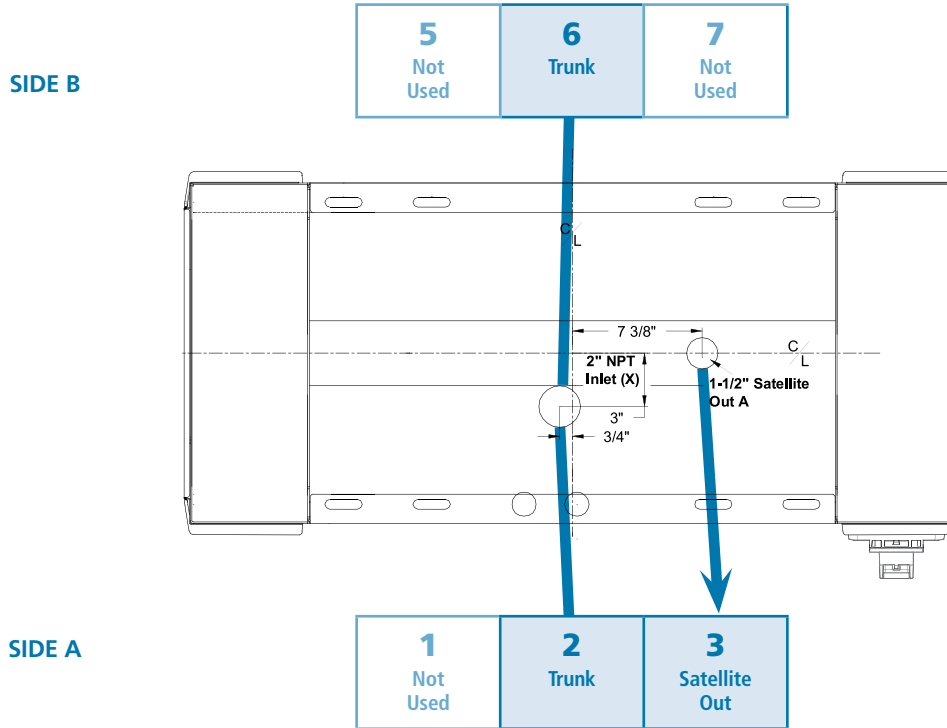


Encore Ultra-High Satellite

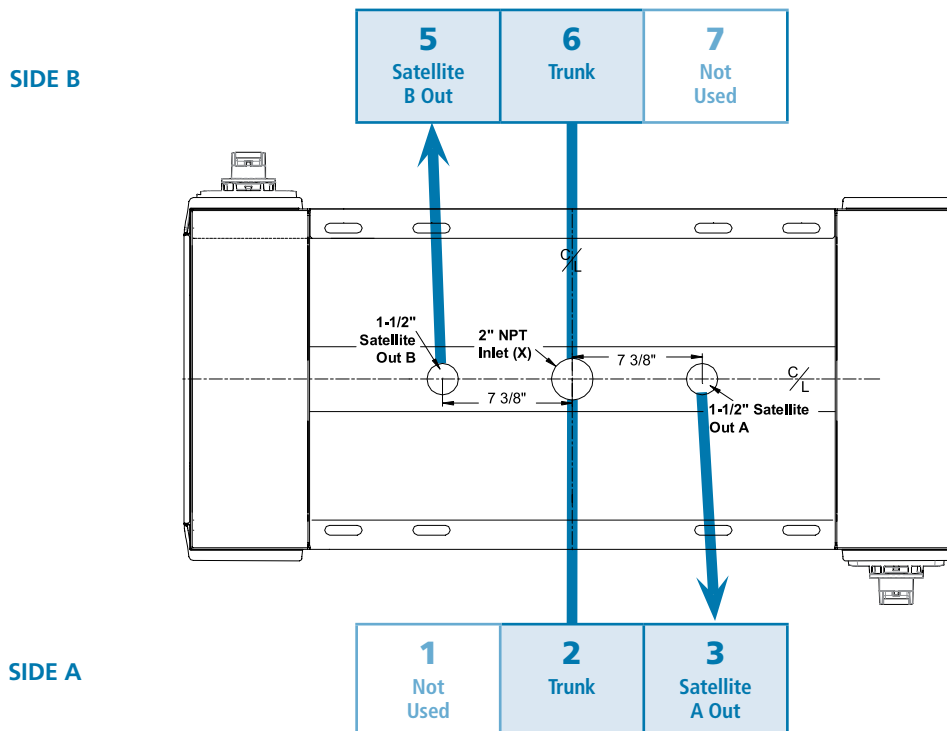


Note: For single-sided satellites, use position "1" on Side A.

Wayne Ovation HS, Single Master

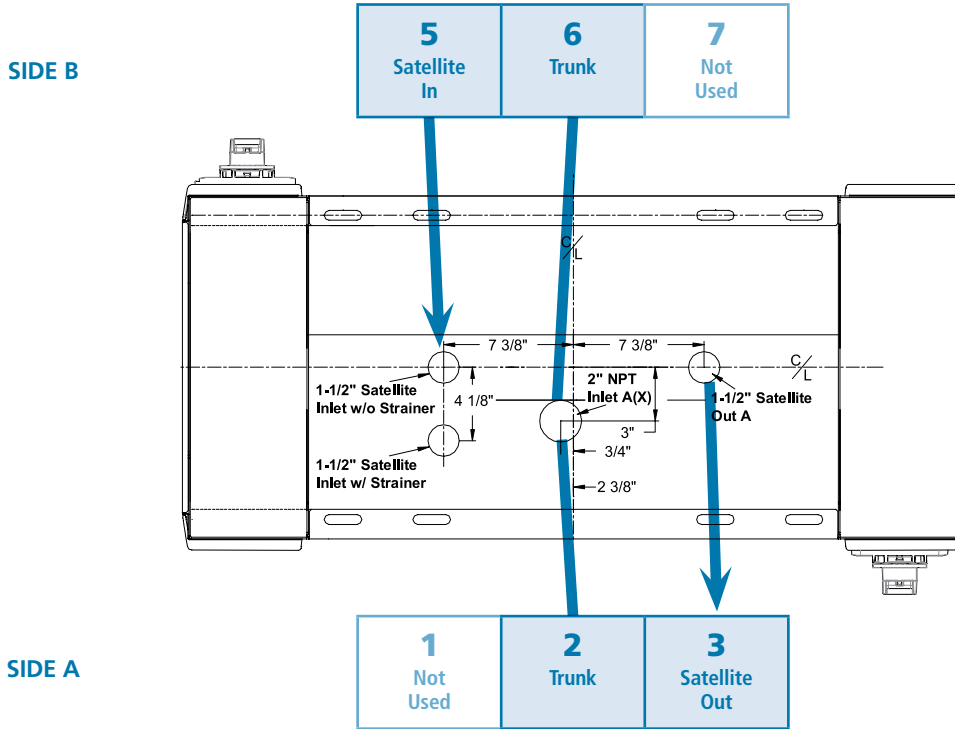


Wayne Ovation HS, Dual-Sided, Master

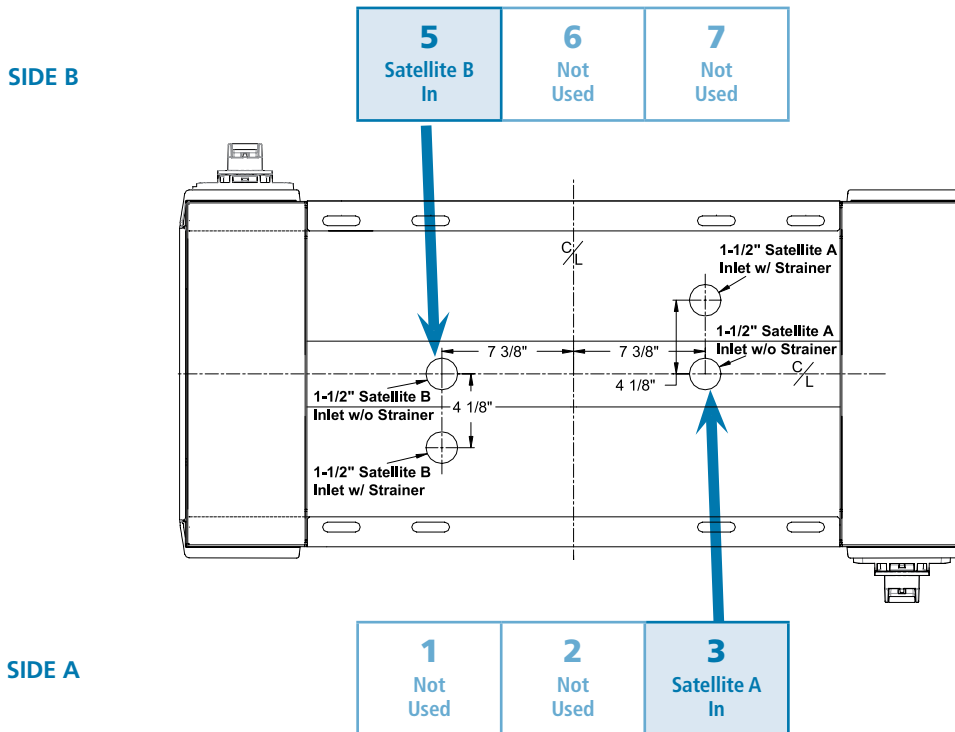


TOP VIEW OF BASES

Wayne Ovation HS, Master/Satellite



Wayne Ovation HS, Satellite



Note: For single-sided satellites, use position "3" on Side A.

TOP VIEW OF BASES

The DEF Loop System™ Ordering Guide

Starting with 2010 models, DEF is now required in diesel-powered trucks utilizing Selective Catalytic Reduction (SCR) to meet federal emissions standards. The dispensing infrastructure at travel centers and fleet refueling sites continues to evolve as DEF-compatible equipment is installed. OPW's new 60V-DEF-SS Shear Valve body is made of 100% stainless-steel construction for unmatched compatibility. This double-poppet shear valve is third-party tested to ensure compatibility with the ISO 22241 Standard. With NPT connections on the top and NPT or NSPH threads on bottom of the loop-style valve, the 60V-DEF-SS shear valve provides peace of mind and minimizes damage to DEF-dispensing equipment in the case of impact collision, which will also help prevent product loss.

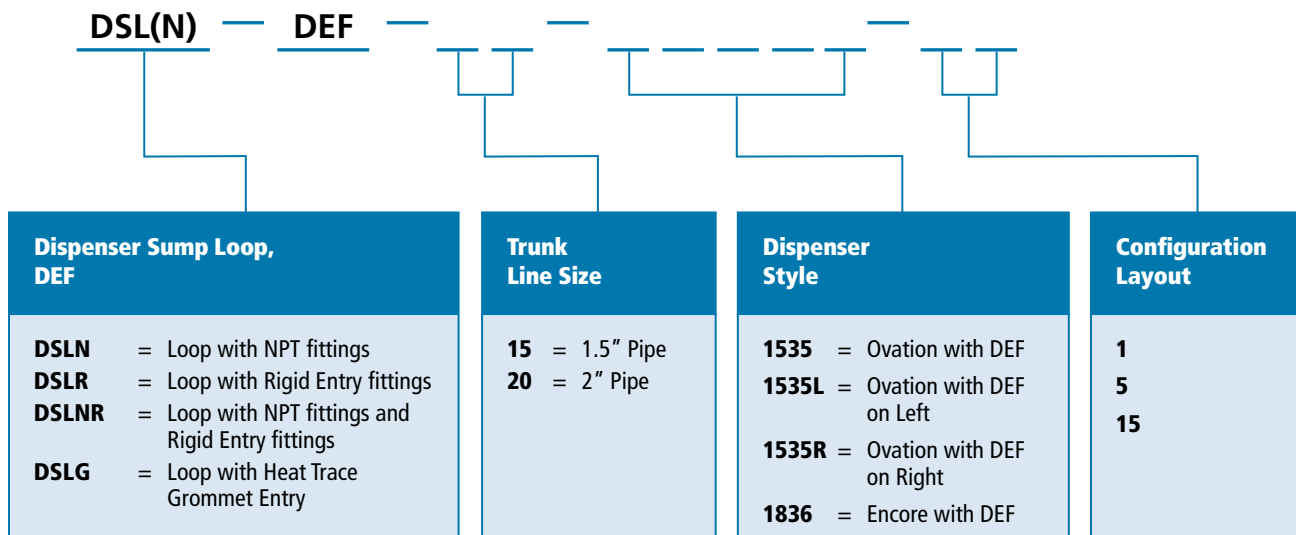
Benefits

- Compatible with Wayne Cold Weather Ovation w/DEF and Gilbarco Encore w/DEF
- Proprietary designed fully stainless-steel valve-body construction
- Utilizes a 1" NPT connection on the top and a 1.5" or 2" NPT/NPSH thread on the bottom for easy installation with a DEF-approved thread sealant, or DPC style couplings
- PEI RP1100 recommended materials used for double-poppet internals to contain product in the event of impact collision
- Machined shear groove for reliable shear performance
- Loop body version is designed to accommodate easy use with DEF recirculation systems



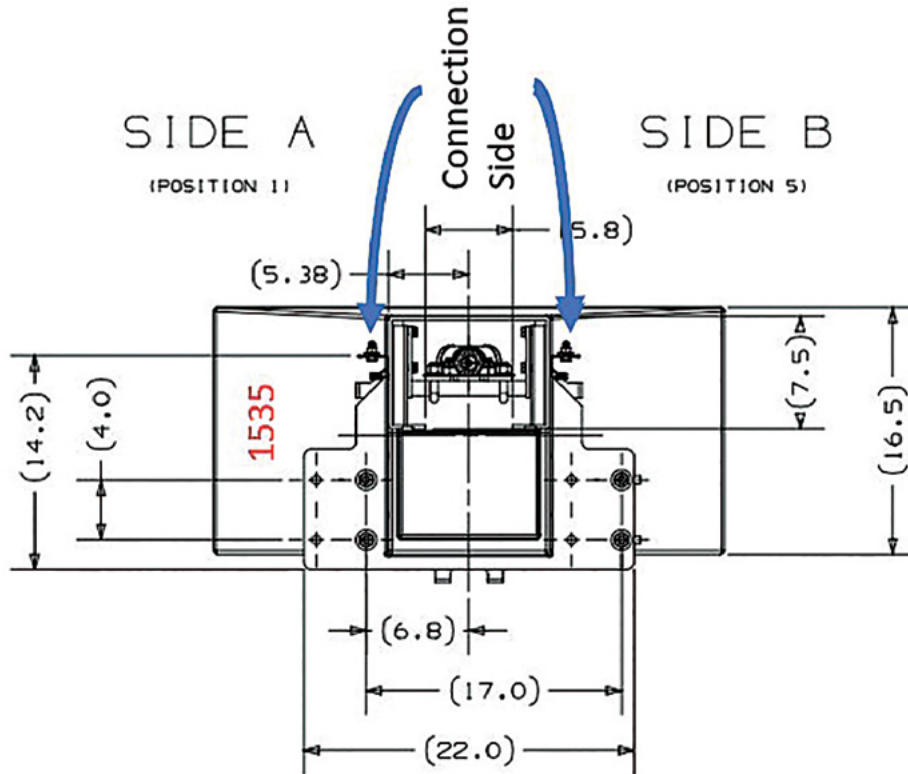
60V-DEF-SS Shear Valve
in DEF Loop Sumps

Ordering Guide

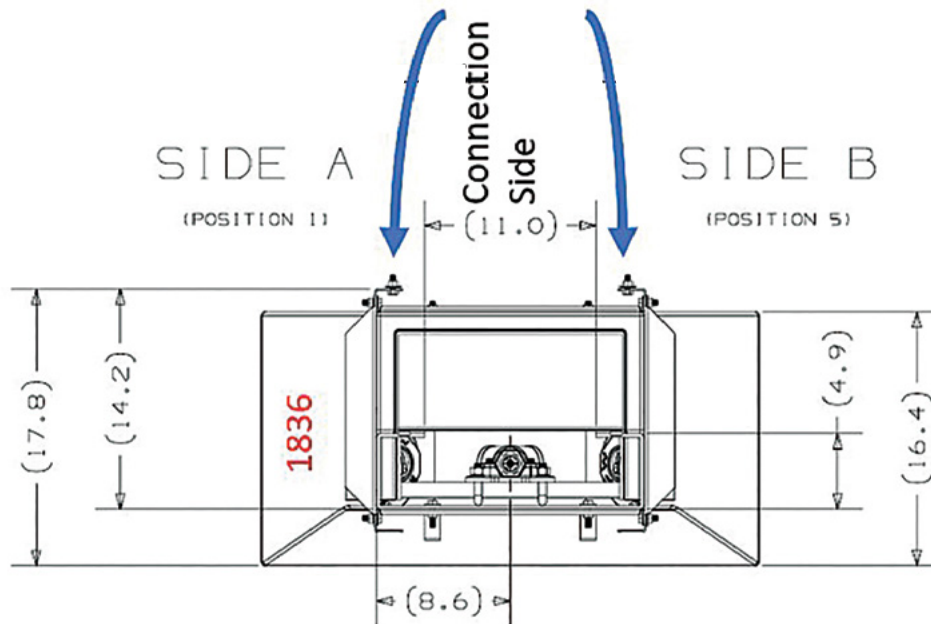


*A Side and B Side will change based on orientation.

DEF for Ovation w/ Loop



DEF for Encore w/ Loop



TOP VIEW OF BASES

The Best - and Most Complete - Package in Underground Dispensing



From concept to completion, OPW provides a total solution that makes life easier for all parties.

Starting by simplifying the spec process, OPW saves plenty of headaches throughout the construction of its Loop System.

The plug-and-play nature of the system makes builds faster and more efficient, while providing an ease of service that is unparalleled. Distributors, contractors and fueling stations get to enjoy the innovative design of the Loop System and its benefits.

Contact your OPW District Manager today to learn more or visit [OPWRetailFueling.com](https://www.OPWRetailFueling.com).