

Fuel Management Systems  
**Fuel Control  
Products & Parts  
Price Lists**

Effective: March 1, 2017



Fuel Controls

**CUSTOMER SERVICE DEPARTMENT**

6900 Santa Fe Drive • Hodgkins, IL USA 60525  
708-485-4200 • Fax: 708-485-4630 • Email: [info@opwfms.com](mailto:info@opwfms.com)

[www.opwglobal.com](http://www.opwglobal.com)



# Petro Vend 100™ Fuel Control System

Price List Effective March 1, 2017

TABLE OF CONTENTS	
Topic	Page #
Petro Vend 100™ System	3
Petro Vend 100™ System - Sample Configuration #1	3
Petro Vend 100™ System - Sample Configuration #2 & #3	4
Petro Vend 100™ Replacement Parts	4-5
Petro Vend 100™ Remanufactured Parts	5

## Petro Vend 100<sup>®</sup> Fuel Control System

### Petro Vend 100<sup>®</sup> System

Item #	Part Number	Description	List Price
1	PV100-M2	PV100 System w/Two Hose Mechanical Pump Control, 40" Mounting Pedestal, Heater, Illumination, Metal Keyboard, Graphic Display, Manual Bypass and Override Ability, Cardless/Keyless Software, Field Upgradable Software, User Selected PINs, Hose Based Quantity Restrictions, On-Screen Display of Card & Pump Totals, Pocket Weathershield and Card Level to Store 100 Users	\$ 3,775.00
2	PV100-M4	PV100 System w/Four Hose Mechanical Pump Control, 40" Mounting Pedestal, Heater, Illumination, Metal Keyboard, Graphic Display, Manual Bypass and Override Ability, Cardless/Keyless Software, Field Upgradable Software, User Selected PINs, Hose Based Quantity Restrictions, On-Screen Display of Card & Pump Totals, Pocket Weathershield and Card Level to Store 100 Users	\$ 3,995.00

#### Additional Options

Item #	Part Number	Description	List Price
3	20-4423-MAG	Magnetic Card Reader Option	\$ 520.00
4	20-4423-CHIP	ChipKey Option for PV100 (Read Only)	\$ 520.00
5	20-4423-PROX	Proximity Reader Option	\$ 950.00
6	20-4424-P2	PV100 Two Hose Upgrade w/PCM (Requires System SIMM Number)	\$ 590.00
7	SF-250USERS	Expanded memory for 250 total Users/Vehicles	\$ 150.00
8	SF-1000USERS	Expanded Memory For 1000 Total Users/Vehicles	\$ 325.00
9	SF-RECTRANS2USB	USB Transaction Recording Option	\$ 500.00
10	Pedestal-32	32" Pedestal Substitution - Required For ADA Compliance When Mounting On An Island	\$ -
11	Pedestal-48	48" Pedestal Substitution	\$ -
12	ALLOW-PED	If you do not require a pedestal deduct	\$ (112.00)

Pulsers for Mechanical Pump Control - See Pulser Price List

## ACTIVATING DEVICES

### Cards/Keys

Item #	Part Number	Description	List Price
13	54-1002-MAG	Blue Mag-stripe Card (please specify card range and network number)	\$ 2.00
14	54-1005-MAG	White Mag-Stripe Card	\$ 2.00
15	54-100X-MAG	Non Standard Mag-stripe Cards (X specifies color: 3-Green, 4-Yellow, 6-Tan)	\$ 5.00
16	54-1020-C	Standard Encoding for ChipKeys, Proximity Cards/Keys or Mag-stripe Cards by OPW (per device) Please specify card/key range and network number	\$ 2.00
17	54-1023	Proximity II Card (thick card with clip hole)	\$ 10.00
18	54-1029	Proximity Key II	\$ 13.00
19	54-1008	Vehicle Card Pocket for Each (Quantities of 100 Only)	\$ 2.00
20	54-1014	Protective Card Pocket for Each (Quantities of 100 Only)	\$ 2.00
21	54-1015	Safe Card Envelope for Each (Quantities of 100 Only)	\$ 2.00
22	20-4120	ChipKey	\$ 6.00

## Petro Vend 100<sup>®</sup> Sample System Configuration #1

The following sample system configuration is for a small municipality with one mechanical hose and 30 employees. The drivers will key in their driver number to activate the system so no cards or keys will be used. The manager will retrieve card totals and import them into a spreadsheet.

Qty	Part Number	Description	List Price	Extended List Price
1	PV100-M2	PV100 System w/Two Hose Mechanical Pump Control, 40" Mounting Pedestal, Heater, Illumination, Metal Keyboard, Graphic Display, Manual Bypass and Override Ability, Cardless/Keyless Software, Field Upgradable Software, User Selected PINs, Hose Based Quantity Restrictions, On-Screen Display of Card & Pump Totals, Pocket Weathershield and Card Level to Store 100 Users	\$ 3,775.00	\$ 3,775.00
<b>Total Price</b>			<b>\$</b>	<b>3,775.00</b>

## Petro Vend 100® Sample System Configuration #2

The following sample system configuration is for a small municipality with two mechanical hoses and 50 employees. The drivers will use magnetic cards to activate the system. The manager will retrieve card totals and import them into a spreadsheet.

Qty	Part Number	Description	List Price	Extended List Price
1	PV100-M2	PV100 System w/Two Hose Mechanical Pump Control, 40" Mounting Pedestal, Heater, Illumination, Metal Keyboard, Graphic Display, Manual Bypass and Override Ability, Cardless/Keyless Software, Field Upgradable Software, User Selected PINs, Hose Based Quantity Restrictions, On-Screen Display of Card & Pump Totals, Pocket Weathershield and Card Level to Store 100 Users	\$ 3,775.00	\$ 3,775.00
1	20-4423-MAG	Magnetic Card Reader Option	\$ 520.00	\$ 520.00
50	54-1002-MAG	Blue Mag-stripe Card (please specify card range and network number)	\$ 2.00	\$ 100.00
50	54-1020-C	Standard Encoding for ChipKeys, Proximity Cards/Keys or Mag-stripe Cards by OPW (per device) Please specify card/key range and network number	\$ 2.00	\$ 100.00
<b>Total Price</b>			<b>\$</b>	<b>4,378.00</b>

## Petro Vend 100® Sample System Configuration #3

The following sample system configuration is for a small municipality with two mechanical hoses and 80 vehicles. The drivers will use magnetic cards to activate the system. The manager will retrieve card totals and transactions and import the data into a spreadsheet.

Qty	Part Number	Description	List Price	Extended List Price
1	PV100-M2	PV100 System w/Two Hose Mechanical Pump Control, 40" Mounting Pedestal, Heater, Illumination, Metal Keyboard, Graphic Display, Manual Bypass and Override Ability, Cardless/Keyless Software, Field Upgradable Software, User Selected PINs, Hose Based Quantity Restrictions, On-Screen Display of Card & Pump Totals, Pocket Weathershield and Card Level to Store 100 Users	\$ 3,775.00	\$ 3,775.00
1	20-4423-MAG	Magnetic Card Reader Option	\$ 520.00	\$ 520.00
100	54-1002-MAG	Blue Mag-stripe Card (please specify card range and network number)	\$ 2.00	\$ 200.00
100	54-1020-C	Standard Encoding for ChipKeys, Proximity Cards/Keys or Mag-stripe Cards by OPW (per device) Please specify card/key range and network number	\$ 2.00	\$ 200.00
1	SF-RECTRANS2USB	USB Transaction Recording Option	\$ 500.00	\$ 500.00
<b>Total Price</b>			<b>\$</b>	<b>5,195.00</b>

## Petro Vend 100® Replacement Parts

Item #	Part Number	Description	List Price
23	13-0017-R	Replacement Key (2 key minimum; allow 2 weeks for delivery)	\$ 36.00
24	13-0017-C	Emergency Duplicate Key (Specify 3-letter prefix and number)	\$ 61.00
25	20-0393	Controller Board 0393	\$ 1,650.00
26	20-4425	PV100 USB Front Door Assembly	\$ 165.00
27	75-2063	USB Dust Cap	\$ 27.00
28	75-0108	USB Key	\$ 63.00
29	12-3053	Cable USB to USB Panel Mount	\$ 100.00
30	20-4423-BLNK	PV100 No Reader Front Door Assembly	\$ 48.00
31	51-0370	PV100 Blank Reader Plate	\$ 47.00
32	51-0374	PV100 Magnetic Card Reader Bracket	\$ 51.00
33	20-4359-32	32" Pedestal	\$ 730.00
34	20-4359-40	40" Pedestal	\$ 730.00
35	20-4359-48	48" Pedestal	\$ 730.00
36	02-4002	Noise Suppressor	\$ 22.00
37	04-1060	5.7 Inch Graphic Display	\$ 595.00
38	07-3013	Replacement Power Supply for Integra and PV100	\$ 276.00
39	09-4036	Numeric Keypad 16 Position	\$ 199.00
40	13-0004	V-Smart Enclosure Lock w/Two Keys	\$ 42.00
41	20-0394	PV100 Interconnect Board	\$ 350.00
42	20-1549	Buzzer Cable Assembly	\$ 30.00
43	20-1642	Magnetic Card Reader Cable	\$ 49.00
44	20-1682	PV100 80 Pin Door Cable	\$ 100.00
45	20-1686	PV100 Numeric Keypad Cable	\$ 48.00

## Petro Vend 100<sup>®</sup> Replacement Parts

Item #	Part Number	Description	List Price
46	20-1692	Power Supply to PV0393 Cable	\$ 44.00
47	20-1693	Power Supply Cable	\$ 114.00
48	20-1694-POS1	PV100 PCM Cable POS 1	\$ 36.00
49	20-1696	PV100 6.0 Inch LED Cable Assembly	\$ 36.00
50	20-4224	Heater Assembly	\$ 311.00
51	20-4288	ESN Dallas Chip for PV100	\$ 29.00
52	20-4355	PV100 Weathershield Assembly	\$ 94.00
53	20-4421	PV100 40 X 10 Fan Assembly	\$ 86.00
54	20-5057	PV100 Power Sub-Assembly	\$ 610.00
55	48-0209	Battery, 3V, 500MA	\$ 70.00
56	50-2214	PV100 S-TEK Display Gasket	\$ 28.00
57	50-3195	PV100 Display Filter for S-TEK	\$ 49.00
58	50-3199	Holder LED Panel 5MM Black Nylon	\$ 4.00
59	50-3208	PV100 PCM Lexan Guard	\$ 67.00
60	51-0402-01	PV100 Door Latch	\$ 20.00
61	52-1106	PV100 Enclosure Box	\$ 425.00
62	52-1107	Door Frame Only	\$ 205.00
63	75-3022	PV100/FIT500 Dual Head Magnetic Card Reader	\$ 530.00

## Petro Vend 100<sup>®</sup> Remanufactured Parts

### Explanation of Core Credit Return Pricing

- 1) **LIST PRICE** - The price paid by the customer when no exchange part is provided at the time of the transaction. It is also the value of the credit to be issued when a part is returned, under warranty, with appropriate documentation (tag or labeled shipping container).
- 2) **CORE VALUE** - The value of the credit to be issued when a non-warranty part is returned with appropriate documentation (tag or labeled shipping container)
- 3) **CORE REVISION (Core Rev.)** - The acceptable board revision code.
- 4) **WARRANTY** - 90 days from the date of installation of the part or for the remainder of the warranty life of the system.
- 5) **FREIGHT**: All freight, clearance and import costs are paid by customer.

Item #	Part Number	Description	List Price	Core Value
64	R20-0340-02	PCM2 - Hose Slave (Core Rev.C)	\$ 697.00	\$ 190.00
65	R20-0381-B	PV100 SIMM Card (Specify Serial # For Options)	\$ 3,800.00	\$ 2,720.00

### TERMS

Ex-works our facility, Hodgkins, Illinois, USA  
 Installation not included  
 All trade names are registered. Patents pending  
 Subject to engineering improvement and/or change

PRICES SUBJECT TO CHANGE WITHOUT NOTICE

**OPW FUEL MANAGEMENT SYSTEMS** • 6900 Santa Fe Drive • Hodgkins, IL 60525 USA  
 Phone (708) 485-4200 • Fax (708) 485-4630 • www.opwglobal.com



# Petro Vend Dispenser Terminal Control (DTC)

Price List Effective March 1, 2017

TABLE OF CONTENTS	
Topic	Page #
Petro Vend DTC Ordering Assistance	7
Petro Vend DTC System	7-9
Petro Vend DTC System - Sample Configuration	9
Petro Vend DTC System Replacement Parts	10
Phoenix - PC Software	10

**Petro Vend Dispenser Terminal Control System**

**Ordering Assistance**

Each DTC System requires a FSC3000 Site Controller, Pump Controls and Activation Devices. A selection of options needs to be made from each of the categories listed below. If you require assistance in choosing these options please contact your Local Distributor, District Manager or OPW Fuel Management Systems Customer Service Department

**Site Controller Options**

The DTC connects to the FSC3000. The FSC3000 contains the SOFTWARE that runs the system, MEMORY to store card records and transactions, and COMMUNICATION ports for peripheral devices.

**Pump Controls**

The FSC3000 has the capacity to control both mechanical and electronic pumps using Pump Control Modules or Universal Pump Controllers. The FSC3000 also has Direct Pump Control capability for certain electronic pump models. Select the appropriate controls for the site.

**Activating Devices**

Drivers can activate the C/OPT using Magnetic Stripe Cards, Optic Cards, Proximity Cards, Proximity Keys, ChipKeys, or Keyboard Entry.

**PHOENIX PC Software**

Maintaining card databases, polling transactions, and creating reports requires a version of Phoenix software. Select the one that best suits the requirements of the site.

**Petro Vend DTC System**

**The FSC3000**

Item #	Part Number	Description	List Price
1	20-8057	The External FSC3000 Includes USB Transaction Storage, Standard Card Record Software, Downloadable Software, ARTWare Windows-Based Configuration Utility Software, Built-in 10base-T Ethernet Port, 8 Serial Communication Ports, Direct-Connect PC Cable, Petro-net Cable, Plug-in Memory Module with Transaction Memory Level 2 (500 Transactions) and Card Memory Level 2 (2000 cards), CD With System Documentation, Printed Installation Manual.	\$ 4,282.00

# Petro Vend DTC System (continued)

## Peripheral Options

Item #	Part Number	Description	List Price
2	SF-TIERDISC	Tiered Discount (supports Gasboy-formatted Mag Cards)	\$ 1,256.00
3	SF-TIERACCTS	Tiered Accounts	\$ 1,256.00
4	SF-PSIGN	Future Media Price Sign Support (Includes 20-1519-01 cable)	\$ 440.00
5	20-4270-01	Internal Dial-in Modem with phone line cable	\$ 620.00
6	20-7078	Dial-out Modem for Network Authorization (includes 20-1517-01 cable)	\$ 620.00
7	20-7073	Journal Printer (includes 20-1517-05 cable)	\$ 925.00
8	SF023	USB Card Update Module	\$ 455.00
9	20-6000	IP Converter Kit for Fleet Only	\$ 1,585.00
10	20-6005	3G Cellular IP Converter for CFN, Tchek, TCH, EFS, PaymentechFleet (AT&T)	\$ 1,315.00
11	20-6012	IP Converter Kit for IOL	\$ 1,585.00
12	20-6013	IP Converter Kit For NBS, Paymentech, Fleet and Pac Pride (Includes Cables)	\$ 1,585.00
13	20-6014	3G Cellular IP Converter for CFN, Tchek, TCH, EFS, Paymentech Fleet (Verizon)	\$ 1,315.00
14	20-6015	3G Cellular IP Converter (AT&T - Fleet and Bank Card)	\$ 1,315.00
15	20-6016	3G Cellular IP Converter (Verizon - Fleet and Bankcard)	\$ 1,315.00

## Memory Options

16	SF032	Transaction Memory Level 3 (1,000 transactions)	\$ 735.00
17	SF033	Transaction Memory Level 4 (2,000 transactions)	\$ 1,330.00
18	SF029	Card Memory Level 3 (8,000 cards)	\$ 735.00
19	SF030	Card Memory Level 4 (16,000 to 64,000 cards depending on configured options)	\$ 1,330.00
20	SF-CL5	Card Memory Level 5 (64,000+ cards depending on configured options, requires 2nd SIMM)	\$ 2,065.00

## Card Authorization Network Options (Requires Dial-Out Modem)

21	<b>Card Authorization Network Options (Requires Dial-Out Modem)</b>		
22	SF015	NBS Network (Processes Credit Cards, WEX, Voyager, M/C Fleet, Visa Fleet, Fleetcor cards including Fuelman, Gascard, & Fuelman dual-network cards)	\$ 2,047.00
23	SF025	Paymentech Network (Processes Credit Cards, WEX, Voyager, M/C Fleet, Visa Fleet, Fleetcor cards including Fuelman, Gascard, & Fuelman dual-network cards)	\$ 2,047.00
24	SF-BUYPASS	Bypass Network (Processes Visa, MasterCard, MasterCard Fleet, Visa Fleet, Voyager, Wright Express, Amex, Sinclair, Discover/Diners/JCB)	\$ 2,047.00
25	SF-COM-POS	Comdata POS Network Flag	\$ 1,256.00
26	SF026	FleetOne Network	\$ 1,256.00
27	SF018	CFN Network (Processes original CFN cards and Fleetcor dual-network cards)	\$ 1,256.00
28	SF013	EFS Network	\$ 1,256.00

29	SF010	Irving Oil Network	\$ 1,256.00
30	SF-0060	Kardall Hosting Solution (requires internet connectivity and IP converter)	\$ 1,310.00
31	SF-0065	Company Card Hosting Solution	\$ 1,256.00
32	SF-0064	Intevecon Hosting Solution	\$ 1,256.00
33	SF016	FUELMAN Network	\$ 1,256.00
34	SF-0062	Simultaneous card authorization for two different networks option	\$ 650.00
35	SF020	Pacific Pride Network, includes TL4 memory and 20-1517-01 cable	\$ 2,143.00
36	SF-0063	Loyalty Flag	\$ 510.00

\*\* Journal Printer is not required when ordering this item.

37	20-8225-DTC-G	Remote DTC for Gilbarco (requires remote DPC)*	\$ 1,695.00
38	20-8225-DTC-W	Remote DTC for Wayne (requires remote DPC)*	\$ 1,415.00
39	20-8225-DTC-G700	Remote DTC for Gilbarco with secure prompts (requires remote DPC)*	\$ 1,695.00
40	3000-DTC-2	DTC Software for 2 fueling points	\$ 2,800.00
41	3000-DTC-X	DTC Software for additional fueling points (Multiples of 2 fueling points, up to 5 additional for a total of 12 fueling points)	\$ 1,695.00

\* D-Box required for more than 8 fueling points

## Cables

42	20-4267	Pass-through Port/FSC to ATG Cable Kit	\$ 156.00
43	20-1517-01	External Modem Cable	\$ 68.00
44	75-2030	USB-to-Serial Port PC Converter	\$ 64.00
45	20-1689	Universal D-Box Interface Cable	\$ 130.00
46	20-1520-07	DTC Configuration Cable	\$ 68.00



## Petro Vend DTC System (continued)

### DPC (Direct Pump Control for electronic dispensers)

Item #	Part Number	Description	List Price
47	SF022	Direct Pump Control Software	\$ 1,035.00
48	20-8225-DPC	Remote Mount DPC Interface Module for Gilbarco/Wayne w/ cable	\$ 1,075.00

### ACTIVATING DEVICES

#### Cards/Keys

49	54-1002-MAG	Blue Mag-stripe Card (please specify card range and network number)	\$ 2.00
50	54-1005-MAG	White Mag-Stripe Card	\$ 2.00
51	54-100X-MAG	Non Standard Mag-stripe Cards (X specifies color: 3-Green, 4-Yellow, 6-Tan)	\$ 5.00
52	54-1008	Vehicle Card Pocket for Each (Quantities of 100 Only)	\$ 2.00
53	54-1014	Protective Card Pocket for Each (Quantities of 100 Only)	\$ 2.00
54	54-1015	Safe Card Envelope for Each (Quantities of 100 Only)	\$ 2.00
55	54-1020-C	Standard Encoding for ChipKeys, Proximity Cards/Keys or Mag-stripe Cards by OPW (per device) Please specify card/key range and network number	\$ 2.00

#### Encoders

56	20-7053	Magnetic Card Encoder	\$ 1,550.00
----	---------	-----------------------	-------------

## Petro Vend DTC System - Sample Configuration

The following sample system configuration is for an unattended cardlock accepting Comdata cards, proprietary cards and bank cards . The site has two islands with dual-sided Gilbarco electronic dispensers. The remote DTC interface and external FSC3000 are located inside a building with a phone line running to the FSC. There will be 150 proprietary cards issued.

Qty	Part Number	Description	List Price	Extended List Price
1	20-8057	The External FSC3000 Includes USB Transaction Storage, Standard Card Record Software, Downloadable Software, ARTWare Windows-Based Configuration Utility Software, Built-in 10base-T Ethernet Port, 8 Serial Communication Ports, Direct-Connect PC Cable, Petro-net Cable, Plug-in Memory Module with Transaction Memory Level 2 (500 Transactions) and Card Memory Level 2 (2000 cards), CD With System Documentation, Printed Installation Manual.	\$ 4,282.00	\$ 4,282.00
1	20-8225-DTC-G	Remote DTC for Gilbarco (requires remote DPC)*	\$ 1,695.00	\$ 1,695.00
1	3000-DTC-2	DTC Software for 2 fueling points	\$ 2,800.00	\$ 2,800.00
1	3000-DTC-X	DTC Software for additional fueling points (Multiples of 2 fueling points, up to 5 additional for a total of 12 fueling points)	\$ 1,695.00	\$ 1,695.00
1	SF022	Direct Pump Control Software	\$ 1,035.00	\$ 1,035.00
1	20-8225-DPC	Remote Mount DPC Interface Module for Gilbarco/Wayne w/ cable	\$ 1,075.00	\$ 1,075.00
1	20-7078	Dial-out Modem for Network Authorization (includes 20-1517-01 cable)	\$ 620.00	\$ 620.00
1	SF027	Comdata Network	\$ 1,256.00	\$ 1,256.00
1	SF015	NBS Network (Processes Credit Cards, WEX, Voyager, M/C Fleet, Visa Fleet, Fleetcor cards including Fuelman, Gascard, & Fuelman dual-network cards)	\$ 2,047.00	\$ 2,047.00
150	54-1002-MAG	Blue Mag-stripe Card (please specify card range and network number)	\$ 2.00	\$ 300.00
150	54-1020-C	Standard Encoding for ChipKeys, Proximity Cards/Keys or Mag-stripe Cards by OPW (per device) Please specify card/key range and network number	\$ 2.00	\$ 300.00
1	20-6149	(F) FSC3000/System2 Phoenix Plus (adds multi-site reports, and card file management tool)	\$ 2,195.00	\$ 2,195.00
1	20-6150-03	Factory-direct telephone training service for Phoenix Plus	\$ 482.00	\$ 482.00
			<b>Total Price</b>	<b>\$ 19,782.00</b>

## Petro Vend DTC Replacement Parts

Item #	Part Number	Description	List Price
57	20-0612	Direct Pump Control (DPC)/Handle Monitor Board Assembly	\$ 930.00
58	20-4418-02	DTC Board Assembly - Wayne or Gilbarco (with secure prompts)	\$ 940.00

## PHOENIX - PC SOFTWARE

Phoenix SQL Lite™ and Phoenix SQL™ are powerful data management and communications software packages designed to work specifically with both the FSC3000 and System2 FSC. With Phoenix Software you have the ability to reconcile fuel data between your fuel control system and OPW or third party automatic tank gauge system. (Note: The features are different for the K800 Phoenix versions. Refer to the product brochures for details.)

### Phoenix SQL Lite

59	20-6180	Phoenix SQL Lite PC Based Software w/Support for OPW & 3rd Party ATGs (Please Provide End-User's Company Name, Contact Name, Phone Number and Email For Sending SQL Lite Download Link)	\$ 2,091.00
60	20-6180-03	Factory-Direct Telephone Training for Phoenix SQL Lite	\$ 482.00

### SQL Version

Item #	Part Number	Description	List Price
61	20-6162	Phoenix SQL Software Base Price (includes connection for 2 sites with Petro Vend Fuel Controls and OPW Gauges)	\$ 3,563.00
62	20-6162-XS	Price for each additional single site	\$ 317.00
63	20-6162-3RD	SQL version with connection to 3rd party gauges	\$ 964.00
64	20-6162-GM	Adds multi-level user security features	\$ 840.00
65	20-6150-TST*	Phoenix TEST Version	\$ 1,088.00

\*Commercial use of Phoenix TEST Version is expressly forbidden. Requires user sign-off.

#### Installation and Startup Service (must be purchased with system)

66	20-6150-06	Factory-direct telephone training service for Phoenix SQL with OPW or Third Party Tank Gauge and Phoenix SQL.	\$ 826.00
----	------------	---	-----------

#### TERMS

Ex-works our facility, Hodgkins, Illinois, USA  
 Installation not included  
 All trade names are registered. Patents pending  
 Subject to engineering improvement and/or change

PRICES SUBJECT TO CHANGE WITHOUT NOTICE

**OPW FUEL MANAGEMENT SYSTEMS** • 6900 Santa Fe Drive • Hodgkins, IL 60525 USA  
 Phone (708) 485-4200 • Fax (708) 485-4630 • www.opwglobal.com



# Petro Vend C/OPT Fuel Control System

Price List Effective March 1, 2017

TABLE OF CONTENTS	
Topic	Page #
Petro Vend C/OPT Fuel Control System Ordering Assistance	12
Petro Vend C/OPT Fuel Control System - FSC3000	12-15
Phoenix - PC Software	15
Petro Vend C/OPT System - Sample Configuration	15
Petro Vend C/OPT Replacement Parts	16-18
Petro Vend C/OPT Remanufactured Parts	18
Petro Vend Pulsers	19
Petro Vend Pulsers and Accessories at a Glance	20
Exploded View of C/OPT	21
Exploded View of FSC3000	22

**Petro Vend C/OPT Fuel Control System**

**Ordering Assistance**

Each C/OPT Fuel Control System requires a FSC3000 Site Controller, Pump Controls and Activation Devices. A selection of options needs to be made from each of the categories listed below. If you require assistance in choosing these options please contact your Local Distributor, District Manager or OPW Fuel Management Systems Customer Service Department

**Site Controller Options**

The C/OPT connects to the FSC3000. The FSC3000 contains the SOFTWARE that runs the system, MEMORY to store card records and transactions, and COMMUNICATION ports for peripheral devices.

**Pump Controls**

The FSC3000 has the capacity to control both mechanical and electronic pumps using Pump Control Modules or Universal Pump Controllers. The FSC3000 also has Direct Pump Control capability for certain electronic pump models. Select the appropriate controls for the site.

**Activating Devices**

Drivers can activate the C/OPT using Magnetic Stripe Cards, Optic Cards, Proximity Cards, Proximity Keys, ChipKeys, or Keyboard Entry.

**PHOENIX PC Software**

Maintaining card databases, polling transactions, and creating reports requires a version of Phoenix software. Select the one that best suits the requirements of the site.

**Petro Vend C/OPT Fuel Control System**

**The FSC3000**

Item #	Part Number	Description	
1	20-8057	The External FSC3000 Includes USB Transaction Storage, Standard Card Record Software, Downloadable Software, ARTWare Windows-Based Configuration Utility Software, Built-in 10base-T Ethernet Port, 8 Serial Communication Ports, Direct-Connect PC Cable, Petro-net Cable, Plug-in Memory Module with Transaction Memory Level 2 (500 Transactions) and Card Memory Level 2 (2000 cards), CD With System Documentation, Printed Installation Manual.	\$ 4,282.00
2	20-4290	The C/OPT Internal FSC3000 Includes USB Transaction Storage, Standard Card Record Software, Downloadable Software, ARTWare Windows-Based Configuration Utility Software, Built-in 10base-T Ethernet Port, 8 Serial Communication Ports, Direct-Connect PC Cable, Petro-net Cable, Plug-in Memory Module with Transaction Memory Level 2 (500 Transactions) and Card Memory Level 2 (2000 cards), CD With System Documentation, Printed Installation Manual.	\$ 4,282.00

## Petro Vend C/OPT (continued)

Item #	Part Number	Description	List Price
<b>Peripheral Options</b>			
3	S030006	ChipKey Mileage Reasonability (FSC3K)	\$ 1,105.00
4	SF-PSIGN	Future Media Price Sign Support (Includes 20-1519-01 cable)	\$ 440.00
5	SF-TIERDISC	Tiered Discount (supports Gasboy-formatted Mag Cards)	\$ 1,256.00
6	SF-TIERACCTS	Tiered Accounts	\$ 1,256.00
7	20-4270-01	Internal Dial-in Modem with phone line cable	\$ 620.00
8	20-7078	Dial-out Modem for Network Authorization (includes 20-1517-01 cable)	\$ 620.00
9	20-7073	Journal Printer (includes 20-1517-05 cable)	\$ 925.00
10	20-7079	Wireless PetroNet Kit - Includes 1 indoor modem assembly, 1 outdoor modem assembly, 2 directional antennas with 20 foot antenna cables.	\$ 1,690.00
11	20-6020-EXT	Wireless Ethernet Kit - Includes Two Standard 802.11 Wireless Bridge Modems and Antennas	\$ 1,690.00
12	20-6020-INT	Wireless Ethernet Kit - Includes One Standard 802.11 Wireless Bridge Modem, One Socket Device 802.11 Wireless Bridge Modem and Two Antennas	\$ 1,690.00
13	SF023	USB Card Update Module	\$ 455.00
14	20-6000	IP Converter Kit for Fleet Only	\$ 1,585.00
15	20-6003	IP Converter Kit for Fleet Only	\$ 1,585.00
16	20-6005	3G Cellular IP Converter for CFN, Tchek, TCH, EFS, PaymentechFleet (AT&T)	\$ 1,315.00
17	20-6008	3G Cellular IP Converter for Buypass (includes cables) - for external FSC3000 only	\$ 1,315.00
18	20-6009	3G Cellular IP Converter Inbound Only AT&T (includes cables)	\$ 1,315.00
19	20-6010	3G Cellular IP Converter Inbound Only Verizon (includes cables)	\$ 1,315.00
20	20-6012	IP Converter Kit for IOL	\$ 1,585.00
21	20-6013	IP Converter Kit For NBS, Paymentech, Fleet and Pac Pride (Includes Cables)	\$ 1,585.00
22	20-6014	3G Cellular IP Converter for CFN, Tchek, TCH, EFS, Paymentech Fleet (Verizon)	\$ 1,315.00
23	20-6015	3G Cellular IP Converter (AT&T - Fleet and Bank Card)	\$ 1,315.00
24	20-6016	3G Cellular IP Converter (Verizon - Fleet and Bankcard)	\$ 1,315.00
25	20-6017	3G Cellular IP Converter (Verizon - Fleet and Bankcard)	\$ 1,315.00
<b>Memory Options</b>			
26	SF032	Transaction Memory Level 3 (1,000 transactions)	\$ 735.00
27	SF033	Transaction Memory Level 4 (2,000 transactions)	\$ 1,330.00
28	SF029	Card Memory Level 3 (8,000 cards)	\$ 735.00
29	SF030	Card Memory Level 4 (16,000 to 64,000 cards depending on configured options)	\$ 1,330.00
30	SF-CL5	Card Memory Level 5 (64,000+ cards depending on configured options, requires 2nd SIMM)	\$ 2,065.00
<b>Card Authorization Network Options (Requires Dial-Out Modem)</b>			
31	SF015	NBS Network (Processes Credit Cards, WEX, Voyager, M/C Fleet, Visa Fleet, Fleetcor cards including Fuelman, Gascard, & Fuelman dual-network cards)	\$ 2,047.00
32	SF025	Paymentech Network (Processes Credit Cards, WEX, Voyager, M/C Fleet, Visa Fleet, Fleetcor cards including Fuelman, Gascard, & Fuelman dual-network cards)	\$ 2,047.00
33	SF-BUYPASS	Buypass Network (Processes Visa, MasterCard, MasterCard Fleet, Visa Fleet, Voyager, Wright Express, Amex, Sinclair, Discover/Diners/JCB)	\$ 2,047.00
34	SF-COMPOS	Comdata Network - TCP/IP capable	\$ 1,256.00
35	SF-IOL	Imperial Oil KTH Network with TL4 memory	\$ 2,143.00
36	SF019	Federated Co-op	\$ 1,256.00
37	SF012	TCH Network	\$ 1,256.00
38	SF011	TCH Network	\$ 1,256.00
39	SF026	FleetOne Network	\$ 1,256.00
40	SF018	CFN Network (Processes original CFN cards and Fleetcor dual-network cards)	\$ 1,256.00
41	SF013	EFS Network	\$ 1,256.00
42	SF027	Comdata Network	\$ 1,256.00
43	SF010	Irving Oil Network	\$ 1,256.00
44	SF-0060	Kardall Hosting Solution (requires internet connectivity and IP converter)	\$ 1,310.00
45	SF-0065	Company Card Hosting Solution	\$ 1,256.00
46	SF-0064	Intevecon Hosting Solution	\$ 1,256.00
47	SF016	FUELMAN Network	\$ 1,256.00
48	SF-0062	Simultaneous card authorization for two different networks option	\$ 650.00
49	SF-0063	Loyalty Flag	\$ 510.00
50	SF020	Pacific Pride Network, includes TL4 memory and 20-1517-01 cable	\$ 2,143.00

## Petro Vend C/OPT (continued)

Item #	Part Number	Description	List Price
<b>Cables</b>			
51	20-4267	Pass-through Port/FSC to ATG Cable Kit	\$ 156.00
52	20-1517-01	External Modem Cable	\$ 68.00
53	75-2030	USB-to-Serial Port PC Converter	\$ 64.00
54	20-1689	Universal D-Box Interface Cable	\$ 130.00
55	20-1517-05	Journal Printer cable	\$ 68.00

### Pump Control Options For FSC3000

#### PCM (Pump Control Modules for connection to mechanical pumps)

56	20-4404-01	PCM Two hose master installation kit for C/OPT	\$ 875.00
57	20-4404-04	PCM Two hose master installation kit for Remote Cabinet	\$ 875.00
58	20-4405	PCM Two hose slave module - Connects to master PCM to control 2 additional hoses	\$ 605.00
59	20-8225-PCM	Remote PCM Cabinet with PCM Two Hose Master and Power Supply (20-4405 PCM Two Hose Slave Module Optional)	\$ 1,570.00
60	20-1659	PCM Manual Override Cable Assembly	\$ 453.00

#### DPC (Direct Pump Control for electronic dispensers)

61	SF022	Direct Pump Control Software	\$ 1,035.00
62	20-8225-DPC	Remote Mount DPC Interface Module for Gilbarco/Wayne w/ cable	\$ 1,075.00
63	20-4419-DPC	Pedestal Mount DPC Interface Module for Gilbarco/Wayne w/ cable	\$ 848.00
64	20-4422	Gasboy 9800 Series Direct Pump Control Interface Module and cable	\$ 850.00

#### UPC (Universal Pump Controller for control via a pump control console)

65	20-8038	External UPC for FSC3000/System2 FSC (Requires a 20-4132 interface kit)	\$ 2,155.00
66	20-4132-WYN	Wayne UPC External Interface Kit	\$ 410.00
67	20-4132-GIL2	Gilbarco External TS-1000 UPC Interface Kit (includes 9-pin personality cable)	\$ 410.00
68	20-4132-TOK	Tokheim UPC External Interface Kit	\$ 410.00

### C/OPT FIT (Fuel Island Terminal)

69	COPT	Commercial/Outdoor Payment Terminal - Includes Graphics LCD Display w/4 Function Buttons, Standard Mag Reader (Must Specify ChipKey), Numeric Keypad, Thermostatically-controlled Heater, Integral Weathershield, Fiber Optic Illumination & 40" Pedestal (32" & 48" Pedestals Available At No Additional Charge)	\$ 7,360.00
----	------	---	-------------

#### C/OPT Options

Item #	Part Number	Description	List Price
70	20-4283-02	Second Reader Option - Magnetic Stripe Reader "In Addition To Standard Reader"	\$ 685.00
71	20-4283-08	Second Reader Option - ChipKey Reader "In Addition To Standard Magnetic Card Reader"	\$ 685.00
72	20-4283-13	C/OPT Proximity Reader / Chip Key Reader Option	\$ 2,985.00
73	20-4283-15	C/OPT Proximity Reader /Mag Option	\$ 2,985.00
74	20-4283-14	C/OPT Proximity Reader Option (c/w cable for 343 board)	\$ 2,400.00
75	20-4227-01	Alpha Keyboard (available for use with certain software versions only)	\$ 416.00
76	20-4339	C/OPT Receipt Printer	\$ 1,785.00
80	Allow-PED	If you do not require a pedestal deduct	\$ (112.00)
81	Pedestal-32	32" Pedestal Substitution - Required For ADA Compliance When Mounting On An Island	\$ -
82	Pedestal-48	48" Pedestal Substitution	\$ -

### ACTIVATING DEVICES

#### Cards/Keys

83	20-4120	ChipKey	\$ 6.00
84	54-1002-MAG	Blue Mag-stripe Card (please specify card range and network number)	\$ 2.00
85	54-1005-MAG	White Mag-Stripe Card	\$ 2.00
86	54-100X-MAG	Non Standard Mag-stripe Cards (X specifies color: 3-Green, 4-Yellow, 6-Tan)	\$ 5.00
87	54-1008	Vehicle Card Pocket for Each (Quantities of 100 Only)	\$ 2.00
88	54-1014	Protective Card Pocket for Each (Quantities of 100 Only)	\$ 2.00
89	54-1015	Safe Card Envelope for Each (Quantities of 100 Only)	\$ 2.00
90	54-1020-C	Standard Encoding for ChipKeys, Proximity Cards/Keys or Mag-stripe Cards by OPW (per device) Please specify card/key range and network number	\$ 2.00
91	54-1023	Proximity II Card (thick card with clip hole)	\$ 10.00
92	54-1029	Proximity Key II	\$ 13.00

#### Encoders

93	20-7053	Magnetic Card Encoder	\$ 1,550.00
94	20-8039	ChipKey Encoder	\$ 995.00

# PHOENIX SOFTWARE

**Phoenix SQL Lite™** and **Phoenix SQL™** are powerful data management and communications software packages designed to work specifically with both the FSC3000 and System2 FSC. With **Phoenix Software** you have the ability to reconcile fuel data between your fuel control system and OPW or third party automatic tank gauge system. (Note: The features are different for the K800 Phoenix versions. Refer to the product brochures for details.)

## SQL Lite Version

95	20-6180	Phoenix SQL Lite PC Based Software w/Support for OPW & 3rd Party ATGs (Please Provide End-User's Company Name, Contact Name, Phone Number and Email For Sending SQL Lite Download Link)	\$ 2,091.00
96	20-6180-03	Factory-Direct Telephone Training for Phoenix SQL Lite	\$ 482.00

## SQL Version

97	20-6162	Phoenix SQL Software Base Price (includes connection for 2 sites with Petro Vend Fuel Controls and OPW Gauges)	\$ 3,563.00
98	20-6162-XS	Price for each additional single site	\$ 317.00
99	20-6162-3RD	SQL version with connection to 3rd party gauges	\$ 964.00
100	20-6162-GM	Adds multi-level user security features	\$ 840.00
101	20-6150-TST*	Phoenix TEST Version	\$ 1,088.00

\*Commercial use of Phoenix TEST Version is expressly forbidden. Requires user sign-off.

### Installation and Startup Service (must be purchased with system)

102	20-6150-06	Factory-direct telephone training service for Phoenix SQL with OPW or Third Party Tank Gauge and Phoenix SQL.	\$ 826.00
-----	------------	---	-----------

## Petro Vend C/OPT System - Sample Configuration

The following sample system configuration is for a trucking terminal. The site has 4 single hose mechanical dispensers. The site serves independent operator/owners who carry Comdata, EFS Fleet and T-Chek cards. The FSC will be connected to a PC via a LAN. A spare conduit is NOT available to run Petro-Net communications wiring from the FSC to the C/OPT. A printed receipt is required. The trucking terminal already has an OPW 1500 Tank Gauge and wants to automatically reconcile its fuel inventory using FSC3000/System2 Phoenix Premier.

Qty	Part Number	Description	List Price	Extended List Price
1	20-8057	The External FSC3000 Includes USB Transaction Storage, Standard Card Record Software, Downloadable Software, ARTWare Windows-Based Configuration Utility Software, Built-in 10base-T Ethernet Port, 8 Serial Communication Ports, Direct-Connect PC Cable, Petro-net Cable, Plug-in Memory Module with Transaction Memory Level 2 (500 Transactions) and Card Memory Level 2 (2000 cards), CD With System Documentation, Printed Installation Manual.	\$ 4,282.00	\$ 4,282.00
1	SF012	TCHek Network	\$ 1,256.00	\$ 1,256.00
1	COPT	Commercial/Outdoor Payment Terminal - Includes Graphics LCD Display w/4 Function Buttons, Standard Mag Reader (Must Specify ChipKey), Numeric Keypad, Thermostatically-controlled Heater, Integral Weathershield, Fiber Optic Illumination & 40" Pedestal (32" & 48" Pedestals Available At No Additional Charge)	\$ 7,360.00	\$ 7,360.00
1	20-4339	C/OPT Receipt Printer	\$ 1,785.00	\$ 1,785.00
1	20-4227-01	Alpha Keyboard (available for use with certain software versions only)	\$ 416.00	\$ 416.00
1	SF023	USB Card Update Module	\$ 455.00	\$ 455.00
1	20-4404-01	PCM Two hose master installation kit for C/OPT	\$ 875.00	\$ 875.00
1	20-4405	PCM Two hose slave module - Connects to master PCM to control 2 additional hoses	\$ 605.00	\$ 605.00
1	20-6180	Phoenix SQL Lite PC Based Software w/Support for OPW & 3rd Party ATGs (Please Provide End-User's Company Name, Contact Name, Phone Number and Email For Sending SQL Lite Download Link)	\$ 2,091.00	\$ 2,091.00
1	20-6180-03	Factory-Direct Telephone Training for Phoenix SQL Lite	\$ 482.00	\$ 482.00
2	20-6000	IP Converter Kit for CFN, Tchek, TCH, EFS, Paymentech Fleet (includes cables)	\$ 1,585.00	\$ 3,170.00
<b>Total Price</b>			<b>\$</b>	<b>22,777.00</b>

## Petro Vend C/OPT Replacement Parts

103	06-2004	Buzzer (provides audible tone for keypad entries)	\$ 16.00
104	07-0046	Modem Model 1023 Power Pack (33.6k and network)	\$ 35.00
105	07-3003	Power Supply 3"X5" 15V/2.7A	\$ 94.00
106	07-3004	Indoor Wireless Modem Power Supply	\$ 81.00
107	09-6000	C/OPT Thermostat	\$ 34.00
108	12-1029	Petro-Net Wire (2-Conductor, 18AWG TFFN Twisted) - 1500 ft. (457 m) roll	\$ 1,005.00
109	12-1036	3- Conductor 14ga/2- Conductor-18ga UPS Wire	\$ 7.00
110	12-3038	Wireless Modem Antenna Cable Assembly - 20 foot antenna with bulkhead connector for 6 inch antenna	\$ 190.00
111	12-3039	Wireless Modem Antenna Cable - 20 foot antenna for 15 inch antenna (Omni)	\$ 190.00
112	12-3040	Wireless Modem Antenna Cable Assembly - 1 foot antenna with bulkhead connector for 6 inch antenna	\$ 132.00
113	13-0017-R	Replacement Key (2 key minimum; allow 2 weeks for delivery)	\$ 36.00
114	13-0017-C	Emergency Duplicate Key (Specify 3-letter prefix and number)	\$ 61.00
115	13-0034	Ace Stud Lock with Two Keys	\$ 51.00
116	20-0364	C/OPT Power Supply Adapter	\$ 255.00
117	20-0374	RS485 Surge Suppressor Assembly	\$ 62.00
118	20-0612	Direct Pump Control (DPC)/Handle Monitor Board Assembly	\$ 930.00
119	20-0614	Direct Terminal Control (DTC) Board	\$ 915.00
120	20-1453	PV268 to PV270 Board Cable	\$ 43.00
121	20-1477	Alpha Keypad Cable	\$ 78.00
122	20-1540	Manual Magnetic Reader Cable (Position 1)	\$ 61.00
123	20-1541	Manual Magnetic Reader Cable (Position 2)	\$ 61.00
124	20-1542	C/OPT KR16 Reader Cable POS1 (PV330 Board)	\$ 126.00
125	20-1543	C/OPT Chipkey Reader Cable POS1 (PV330 Board)	\$ 46.00
126	20-1547	C/OPT Printer Head Cable Assy (PV296 Board)	\$ 39.00
127	20-1549	Buzzer Cable Assembly	\$ 30.00
128	20-1551	C/OPT Chute Sensor Cable	\$ 35.00
129	20-1553	Graphics Display Thermister Assembly	\$ 38.00
130	20-1555	C/OPT Text Display Cable	\$ 66.00
131	20-1574	Hybrid 2000 Reader Cable	\$ 230.00
132	20-1579	Hybrid 2000 Reader Cable POS2	\$ 148.00
133	20-1593	Cable PCM 4 Hose LV C/OPT	\$ 66.00
134	20-1594	Cable PCT 4 Hose Slave Ribbon	\$ 35.00
135	20-1608	Wireless Modem PetroNET Connector Assembly	\$ 61.00
136	20-1620	Cable C/OPT single proximity reader (original C/OPT main boards)	\$ 78.00
137	20-1621	C/OPT Printer Data Cable (343 Board)	\$ 44.00
138	20-1622	Elk Mag Reader Cable	\$ 56.00
139	20-1623	KR16 Optical Reader Cable	\$ 56.00
140	20-1624	Hopt & Schuler Mag Reader Cable (343 Board)	\$ 61.00
141	20-1625	ChipKey Reader Cable	\$ 55.00
142	20-1626-120	120V Heater Voltage Selector	\$ 76.00
143	20-1626-240	240V Heater Voltage Selector	\$ 76.00
144	20-1627	Cable C/OPT single proximity reader (for use with 20-0343 main board)	\$ 78.00
145	20-1628	Power Supply Wire Harness	\$ 132.00
146	20-1629	C/OPT Main Wire Harness (343 Board)	\$ 48.00
147	20-1636	C/OPT power to main cable (343 - 364)	\$ 61.00
148	20-1677	C/OPT Printer Power Cable Assembly	\$ 66.00
149	20-1679	C/OPT Printer Data Cable Assembly	\$ 32.00
150	20-2128	C/OPT Replacement Door Sub Assembly	\$ 660.00
151	20-2131	C/OPT Door Sub-assembly (343 Board)	\$ 660.00
152	20-4015	Keypad (4 x 4)	\$ 260.00
153	20-4022	Alpha Keypad (4 x 7)	\$ 280.00
154	20-4023	English/French Keypad Replacement Kit	\$ 260.00
155	20-4117	ChipKey Reader Assembly	\$ 315.00
156	20-4177	System2 Pacific Pride AmeriNet Label Kit	\$ 66.00
157	20-4178	System2 Pacific Pride PrideNet Label Kit	\$ 62.00
158	20-4179	Pacific Pride Label Kit	\$ 105.00
159	20-4221	Display Fan Assembly	\$ 86.00
160	20-4223	COPT/OPT Graphics Display Replacement	\$ 586.00
161	20-4224	Heater Assembly	\$ 311.00
162	20-4225-02	Second Reader Option - Magnetic Stripe Reader (in addition to standard reader)	\$ 685.00
163	20-4359-32	32" Pedestal	\$ 730.00
164	20-4359-40	40" Pedestal	\$ 730.00
165	20-4359-48	48" Pedestal	\$ 730.00



## Petro Vend C/OPT Replacement Parts (continued)

Item #	Part Number	Description	List Price
166	20-4225-04	Hopt Single Mag Reader Option	\$ 530.00
167	20-4225-05	Elk to Hopt & Schuler Single Mag Reader Option complete with Mag Optic Plate	\$ 530.00
168	20-4225-07	ChipKey Option	\$ 685.00
169	20-4225-08	Mag/Chip Key Reader Option	\$ 1,110.00
170	20-4225-13	C/OPT Proximity Reader / Chip Key Reader Option	\$ 2,980.00
171	20-4225-14	C/OPT Proximity Reader Option (c/w cable for 330 board)	\$ 2,980.00
172	20-4226-02	C/OPT Numeric Keypad Option w/Plate	\$ 360.00
173	20-4227-00	C/OPT No Alpha Keypad Option (Plate)	\$ 38.00
174	20-4228	Printer Chute/Sensor/Bracket Assembly	\$ 310.00
175	20-4229-01	C/OPT No Receipt Printer Option (Plate)	\$ 36.00
176	20-4230-01	C/OPT 320x240 Graphics Display Option	\$ 1,250.00
177	20-4231	Weather Shield Assembly	\$ 66.00
178	20-4233	C/OPT Door Electro-Magnetic Assembly	\$ 123.00
179	20-4234	Fiber Optic Light Assembly	\$ 145.00
180	20-4237-01	Manual Magnetic Reader with Bezel	\$ 485.00
181	20-4258	C/OPT Function Button Keypad	\$ 103.00
182	20-4261	Internal PCT Power Adapter for C/OPT	\$ 125.00
183	20-4284	Power Supply Assembly (343 Board)	\$ 615.00
184	20-4286-1	C/OPT 343 Upgrade Kit (Standard)	\$ 2,090.00
185	20-4286-2	C/OPT 343 Upgrade Kit (Imperial Oil)	\$ 2,090.00
186	20-4286-5	C/OPT 343 Upgrade Kit (Shell Canada)	\$ 2,090.00
187	20-4286-7	C/OPT 343 Upgrade Kit (Flying J)	\$ 2,090.00
188	20-4339	C/OPT Receipt Printer	\$ 1,785.00
189	20-4416-2	C/OPT Receipt Printer/343 Board Upgrade Option for C/OPT equipped with the 343 Board prior to May 1, 2011	\$ 2,595.00
190	20-4417-1	C/OPT Receipt Printer/343 Board Upgrade Option for C/OPT equipped with 330/296 Board	\$ 2,595.00
191	20-5051	Door Microswitch Assembly	\$ 46.00
192	20-6203-R	C/OPT Receipt Printer - 12VDC Hengstler	\$ 760.00
193	20-7053	Magnetic Card Encoder	\$ 1,550.00
194	20-7074	Wireless Petro-Net Modem Assembly (Indoor)	\$ 1,240.00
195	20-7075	Wireless Petro-Net Modem Assembly (Outdoor)	\$ 1,300.00
196	20-7079	Wireless PetroNet Kit - Includes 1 indoor modem assembly, 1 outdoor modem assembly, 2 directional antennas with 20 foot antenna cables.	\$ 1,690.00
197	20-8039	ChipKey Encoder	\$ 995.00
198	20-8225	Remote PCM cabinet with power supply - Holds one master/slave PCM pair	\$ 735.00
199	50-2015	Fuel Island Terminal Pocket Gasket Tape (1/16" x 3/4") - Price Per Foot	\$ 6.00
200	50-2110	C/OPT Door Seal (per foot)	\$ 6.00
201	50-2118	Function Keypad Gasket	\$ 6.00
202	50-2128	C/OPT Keypad Gasket	\$ 6.00
203	50-3086	Receipt Printer Paper Spindle	\$ 28.00
204	50-3096	C/OPT Display Mounting Bezel	\$ 61.00
205	50-3097	Graphics Display Filter	\$ 58.00
206	50-3098	C/OPT Pocket Door	\$ 36.00
207	50-3101	C/OPT Text Display Filter (2X20 Characters)	\$ 25.00
208	50-3203	C/OPT Printer Adapter Block	\$ 32.00
209	51-0225	C/OPT Manual Reader Bracket (Silver Plate)	\$ 33.00
210	51-0227	C/OPT Mag/Optic Reader Mounting Plate	\$ 36.00
211	51-0232	C/OPT Single Mag Reader Mounting Plate	\$ 52.00
212	51-0255	Mag Reader Brackets	\$ 6.00
213	51-0294	Pocket adapter plate C/OPT single Prox	\$ 47.00
214	51-0295	Pocket adapter plate C/OPT Prox/ChipKey	\$ 47.00
215	52-0068	Enclosure C/OPT	\$ 425.00
216	52-1083	C/OPT Blank Door Frame	\$ 310.00
217	52-1084	C/OPT Reader Pocket	\$ 91.00
218	54-0234	System2 Optical Card Label	\$ 15.00
219	54-0404	"Place Card" Label for proximity readers	\$ 7.00
220	54-1106	Thermal Receipt Printer Paper	\$ 21.00
221	54-1107	Thermal Receipt Printer Paper - 12VDC Hengstler	\$ 9.00
222	56-0018	Chip Extraction Tool	\$ 68.00
223	75-1018	Hopt/ Schuler Mag Reader Head	\$ 156.00
224	75-2037	FSC3000 Internal Modem	\$ 620.00
225	75-2039	Wireless Modem Antenna - 15" High Gain (Omni)	\$ 545.00
226	75-2043	Wiegand to Strobed Converter (For Proximity Reader)	\$ 2,150.00
227	75-2044	High Gain Antenna Kit for SiteSentinel iSite Wireless Option	\$ 245.00
228	75-2047	Wireless Replacement Modem (specify indoor or outdoor)	\$ 842.00
229	75-3023	Replacement Proximity Reader Only	\$ 610.00

## Petro Vend C/OPT Remanufactured Parts

### Explanation of Core Credit Return Pricing

- 1) **LIST PRICE** - The price paid by the customer when no exchange part is provided at the time of the transaction. It is also the value of the credit to be issued when a part is returned, under warranty, with appropriate documentation (tag or labeled shipping container).
- 2) **CORE VALUE** - The value of the credit to be issued when a non-warranty part is returned with appropriate documentation (tag or labeled shipping container)
- 3) **CORE REVISION (Core Rev.)** - The acceptable board revision code.
- 4) **WARRANTY** - 90 days from the date of installation of the part or for the remainder of the warranty life of the system.
- 5) **FREIGHT**: All freight, clearance and import costs are paid by customer.

Item #	Part Number	Description	List Price	Core Value
230	R20-0340-01	PCM2 - Hose Master (Core Rev.C)	\$ 855.00	\$ 200.00
231	R20-0340-02	PCM2 - Hose Slave (Core Rev.C)	\$ 697.00	\$ 150.00
232	R20-0343-01	OPT & C/OPT PV343 Main Board (Specify Software, Standard, Imperial, Comdata, Shell Canada & Pacific Pride & Penske) (Core Rev.C)	\$ 1,595.00	\$ 350.00
233	R20-0612	Direct Terminal Control (DTC) Board	\$ 1,110.00	\$ 250.00

### TERMS

Ex-works our facility, Hodgkins, Illinois, USA  
 Installation not included  
 All trade names are registered. Patents pending  
 Subject to engineering improvement and/or change

PRICES SUBJECT TO CHANGE WITHOUT NOTICE

**OPW FUEL MANAGEMENT SYSTEMS** • 6900 Santa Fe Drive • Hodgkins, IL 60525 USA  
 Phone (708) 485-4200 • Fax (708) 485-4630 • [www.opwglobal.com](http://www.opwglobal.com)

<b>Petro Vend Pulsers</b>			
<b>Item #</b>	<b>Part Number</b>	<b>Description</b>	<b>List Price</b>
1	400050	Model 50 Pulser	\$ 210.00
2	4000500	Model 500 Pulser	\$ 210.00
3	4500211	Short Shaft Extension (Model 500) (.75 inches)	\$ 21.00
4	4500212	Shaft Extension (Model 500) (1 inch)	\$ 22.00
5	4000500-12	Model 500 Pulser 12V	\$ 210.00
6	4000800F	Model 800-F Pulser	\$ 210.00
7	4000800F-12	Model 800-F Pulser - 12V	\$ 210.00
8	51-0291	Coupling For 500 Pulser	\$ 21.00

**TERMS**

Ex-works our facility, Hodgkins, Illinois, USA  
 Installation not included  
 All trade names are registered. Patents pending  
 Subject to engineering improvement and/or change

PRICES SUBJECT TO CHANGE WITHOUT NOTICE

**OPW FUEL MANAGEMENT SYSTEMS** • 6900 Santa Fe Drive • Hodgkins, IL 60525 USA  
 Phone (708) 485-4200 • Fax (708) 485-4630 • www.opwglobal.com

## Pulsers and Accessories at a glance

Model #	500	800-F	50
Part #	4000500	4000800-F	400050
Pulse Ratio	\$.01 / 1/10,1/100	1/10	1/10
101	■ / ■		
2001/2002	/ ■		
2002E	■ / ■		
VR10/4	■ / ■		
VR10	■ / ■		
Non-Computer	■		
Fill-Rite 800/900		■	
Tokheim/Gasboy 793/50			■
Veeder-Root 7886/7867 New Style			

■ Compatible

**ALL PULSERS MAY BE ORDERED FOR 220V, 50 Hz. OPERATION.**

### TERMS

Ex-works our facility, Hodgkins, Illinois, USA

Installation not included

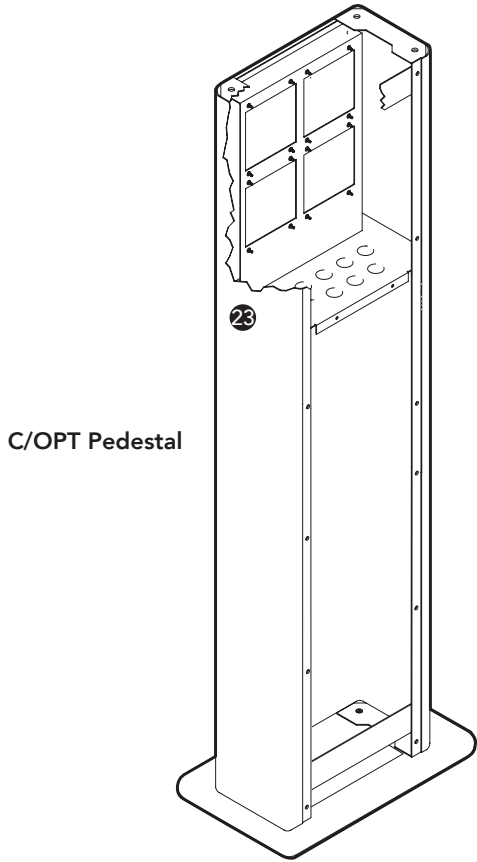
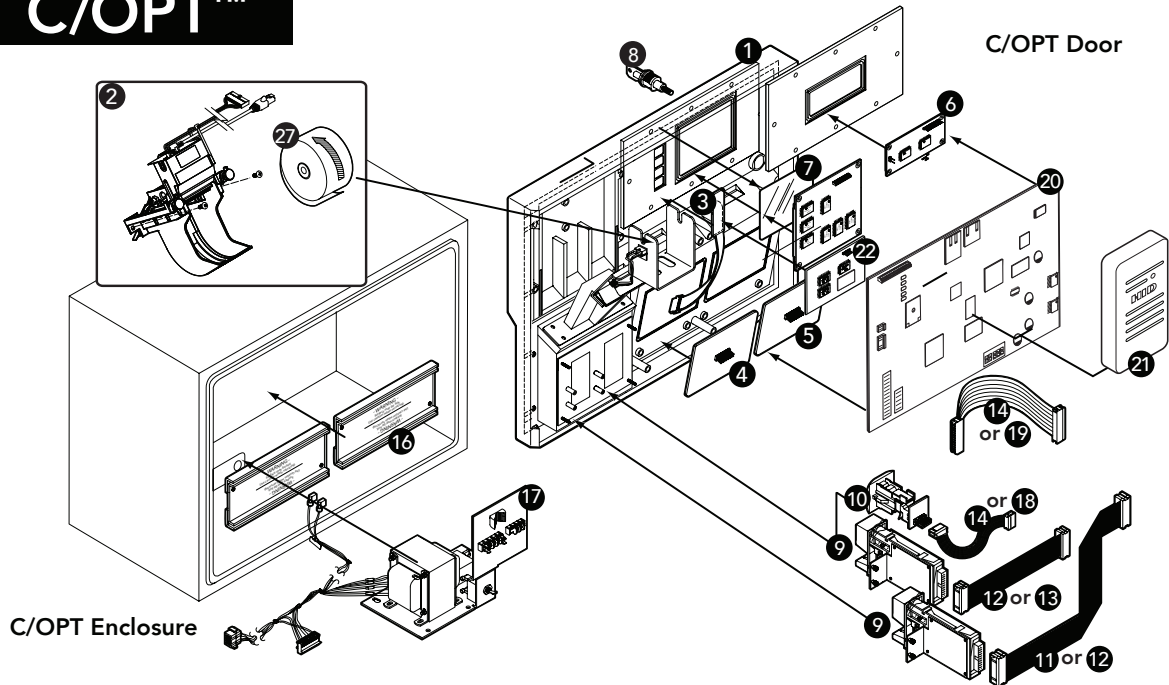
All trade names are registered. Patents pending

Subject to engineering improvement and/or change

PRICES SUBJECT TO CHANGE WITHOUT NOTICE

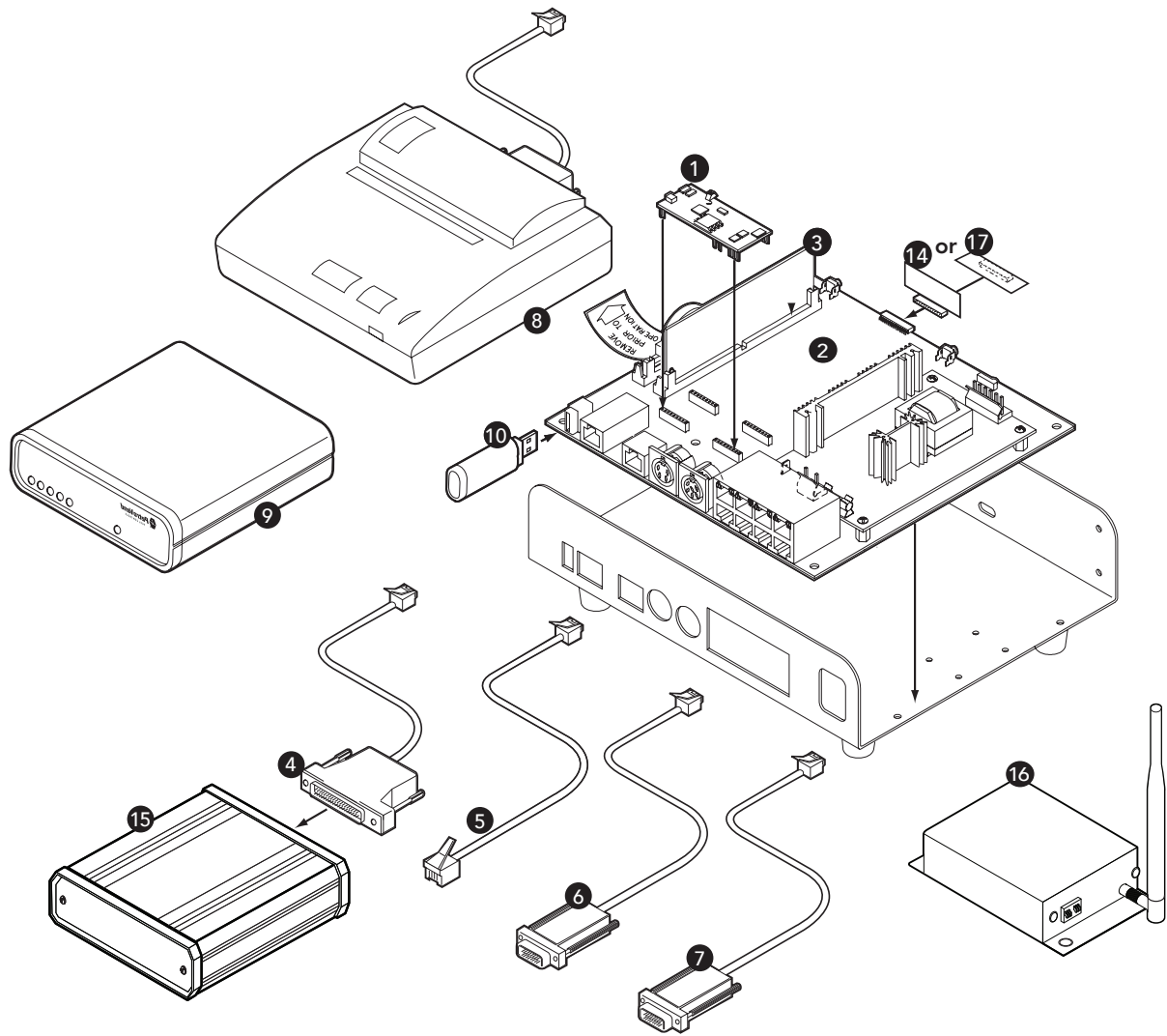
**OPW FUEL MANAGEMENT SYSTEMS** • 6900 Santa Fe Drive • Hodgkins, IL 60525 USA  
 Phone (708) 485-4200 • Fax (708) 485-4630 • www.opwglobal.com

# C/OPT™



C/OPT	
1. C/OPT Door.....	52-1083
2. C/OPT Receipt Printer Replacement (C56).....	20-6203
3. Keypad C/OPT Function Key.....	20-4258
4. Alpha Keypad (4 x 7).....	20-4022
5. Numeric Keypad.....	20-4015
6. C/OPT Graphics Display Assembly.....	20-4223
7. Graphics Display Filter.....	50-3097
8. Door Lock with 2 Keys.....	13-0034
9. Track 1 and 2 Magnetic Card Reader.....	20-4237-01
10. ChipKey® Reader.....	20-4117
11. Magnetic Reader Cable (Position 2) (330 Board).....	20-1541
12. Magnetic Reader Cable (Position 2) (343 Board).....	20-1624
13. Manual Magnetic Reader Cable (Position 1).....	20-1540
14. ChipKey Reader Cable (330 Board).....	20-1543
15. KR16 Cable (330 Board).....	20-1542
16. Heater Assembly.....	20-4224
17. C/OPT Power Supply Chassis (343 Board).....	20-4284
18. ChipKey Reader Cable (343 Board).....	20-1625
19. KR16 Cable (343 Board).....	20-1623
20. C/OPT PV343 Controller Board (Spec SW Version).....	R20-0343-01
21. Power Supply Adpt. Board (For PV268 PCT Board).....	20-0364
22. C/OPT Prox Reader.....	75-3023
23. C/OPT Pedestal.....	20-4145
24. PV268 to Relay Board Cable.....	20-1453
25. PCM Slave Board (Not Shown).....	R20-0340-02
26. PCM Master Board (Not Shown) (Remote Cabinet).....	R20-0340-01
27. Thermal Receipt Printer Paper - 12VDC Hengstler.....	54-1107

# FSC3000™ Fuel Site Controller



FSC3000™  
Fuel Site Controller

FSC3000™ Fuel Site Controller Parts	
1. FSC3000 Internal Modem .....	75-2037
2. FSC3000 Main Board .....	R20-0380
3. FSC3000 SIMM Module.....	R20-0381-03*
4. Cable FSC3000 Printer.....	20-1517-05
5. Ethernet Cable RJ45 to RJ45.....	20-1613
6. Network Modem Cable .....	20-1517-01
7. PC/CRT Cable .....	20-1520-01
8. Journal Printer with Cable .....	20-7073
9. Network Modem.....	20-7078
10. FSC to Tank Gauge Cable Kit (not shown) (consists of 20-1613, 20-1614 and 20-1615).....	20-4267
11. FSC3K ARTWare Config. Software (not shown).....	S030300
12. FSC3000 Installation Manual (not shown).....	M1700
13. USB Key .....	75-0108
14. Display Assy. External FSC 3000 .....	20-4089
15. Compact Flash Transaction Recorder .....	20-7083
16. Indoor Wireless Modem .....	75-2047
17. Internal FSC3000 Display .....	20-4089-01
* Requires configuration	



# Petro Vend K800 Hybrid Fuel Control System

Price List Effective March 1, 2017

TABLE OF CONTENTS	
Topic	Page #
Petro Vend K800 Hybrid Fuel Control System Ordering Assistance	24
Petro Vend K800 Hybrid Fuel Control System	24-25
Pump Control Options For FSC3000™	26
Phoenix - PC Software	27
Petro Vend K800 Hybrid Fuel Control System - Sample Configurations	27-28
Petro Vend K800 Hybrid Replacement Parts	28-29
Petro Vend K800 Hybrid Remanufactured Parts	29
Petro Vend Pulsers	30
Petro Vend Pulsers and Accessories at a Glance	31
Petro Vend FSC3000™ Replacement Parts	32
Petro Vend FSC3000™ Remanufactured Parts	32
Exploded View of K800 Hybrid FIT	33
Exploded View of FSC3000	34

## Petro Vend K800™ Hybrid Fuel Control System

### Ordering Assistance

Each Petro Vend HYBRID Fuel Control System requires an FSC3000 Site Controller, Pump Controls and Activation Devices. A selection of options needs to be made from each of the categories listed below. If you require assistance in choosing these options please contact your Local Distributor, District Manager or OPW Fuel Management Systems Customer Service Department.

### Site Controller Options

The HYBRID connects to the FSC3000. The FSC3000 contains the SOFTWARE that runs the system, MEMORY to store card records and transactions, and COMMUNICATION ports for peripheral devices.

### Pump Controls

The FSC3000 Site Controller has the capacity to control both mechanical and electronic pumps using Pump Control Modules or Universal Pump Controllers. The FSC3000 also has Direct Pump Control capability for certain electronic pump models. The HYBRID also has built in controls for mechanical pumps. Select the appropriate controls for the site.

### Activating Devices

Drivers can activate the HYBRID using Magnetic Stripe Cards, Proximity Cards, Proximity Keys, ChipKeys, or Keyboard Entry.

### PHOENIX PC Software

Maintaining card databases, polling transactions, and creating reports requires a version of Phoenix software. Select the one that best suits the requirements of the site.

## Petro Vend K800™ Hybrid Fuel Control System

### The FSC3000™

Item #	Part Number	Description	List Price
1	20-8057	The External FSC3000 Includes USB Transaction Storage, Standard Card Record Software, Downloadable Software, ARTWare Windows-Based Configuration Utility Software, Built-in 10base-T Ethernet Port, 8 Serial Communication Ports, Direct-Connect PC Cable, Petro-net Cable, Plug-in Memory Module with Transaction Memory Level 2 (500 Transactions) and Card Memory Level 2 (2000 cards), CD With System Documentation, Printed Installation Manual.	\$ 4,282.00
2	20-4291	The K800 Hybrid Internal FSC3000 Includes USB Transaction Storage, Standard Card Record Software, Downloadable Software, ARTWare Windows-Based Configuration Utility Software, Built-in 10base-T Ethernet Port, 8 Serial Communication Ports, Direct-Connect PC Cable, Petro-net Cable, Plug-in Memory Module with Transaction Memory Level 2 (500 Transactions) and Card Memory Level 2 (2000 cards), CD With System Documentation, Printed Installation Manual.	\$ 4,282.00



# Petro Vend K800™ Hybrid Fuel Control System (Continued)

## Peripheral Options

Item #	Part Number	Description	List Price
3	S030006	ChipKey Mileage Reasonability (FSC3K)	\$ 1,105.00
4	SF-TIERDISC	Tiered Discount (supports Gasboy-formatted Mag Cards)	\$ 1,256.00
5	SF-TIERACCTS	Tiered Accounts	\$ 1,256.00
6	SF-PSIGN	Future Media Price Sign Support (Includes 20-1519-01 cable)	\$ 440.00
7	20-4270-01	Internal Dial-in Modem with phone line cable	\$ 620.00
8	20-7073	Journal Printer (includes 20-1517-05 cable)	\$ 925.00
9	20-7078	Dial-out Modem for Network Authorization (includes 20-1517-01 cable)	\$ 620.00
10	20-7079	Wireless PetroNet Kit - Includes 1 indoor modem assembly, 1 outdoor modem assembly, 2 directional antennas with 20 foot antenna cables.	\$ 1,690.00
11	20-6020-EXT	Wireless Ethernet Kit - Includes Two Standard 802.11 Wireless Bridge Modems and Antennas	\$ 1,690.00
12	20-6020-INT	Wireless Ethernet Kit - Includes One Standard 802.11 Wireless Bridge Modem, One Socket Device 802.11 Wireless Bridge Modem and Two Antennas	\$ 1,690.00
13	SF023	USB Card Update Module	\$ 455.00
14	20-6000	IP Converter Kit for Fleet Only	\$ 1,585.00
15	20-6005	3G Cellular IP Converter for CFN, Tchek, TCH, EFS, PaymentechFleet (AT&T)	\$ 1,315.00
16	20-6009	3G Cellular IP Converter Inbound Only AT&T (includes cables)	\$ 1,315.00
17	20-6010	3G Cellular IP Converter Inbound Only Verizon (includes cables)	\$ 1,315.00
18	20-6013	IP Converter Kit For NBS, Paymentech, Fleet and Pac Pride (Includes Cables)	\$ 1,585.00
19	20-6014	3G Cellular IP Converter for CFN, Tchek, TCH, EFS, Paymentech Fleet (Verizon)	\$ 1,315.00

## Memory Options

20	SF029	Card Memory Level 3 (8,000 cards)	\$ 735.00
21	SF030	Card Memory Level 4 (16,000 to 64,000 cards depending on configured options)	\$ 1,330.00
22	SF032	Transaction Memory Level 3 (1,000 transactions)	\$ 735.00
23	SF033	Transaction Memory Level 4 (2,000 transactions)	\$ 1,330.00
24	SF-CL5	Card Memory Level 5 (64,000+ cards depending on configured options, requires 2nd SIMM)	\$ 2,065.00

## Card Authorization Network Options (Requires Dial-Out Modem)

25	SF018	CFN Network (Processes original CFN cards and Fleetcor dual-network cards)	\$ 1,256.00
26	SF012	TCHEK Network	\$ 1,256.00
27	SF027	Comdata Network	\$ 1,256.00
28	SF013	EFS Network	\$ 1,256.00
29	SF026	FleetOne Network	\$ 1,256.00
30	SF011	TCH Network	\$ 1,256.00
31	SF-0060	Kardall Hosting Solution (requires internet connectivity and IP converter)	\$ 1,310.00
32	SF-0065	Company Card Hosting Solution	\$ 1,256.00
33	SF-0064	Intevecon Hosting Solution	\$ 1,256.00
34	SF016	FUELMAN Network	\$ 1,256.00
35	SF-0062	Simultaneous card authorization for two different networks option	\$ 650.00
36	SF-0063	Loyalty Flag	\$ 510.00
37	SF020	Pacific Pride Network, includes TL4 memory and 20-1517-01 cable	\$ 2,143.00

## Cables

38	20-4267	Pass-through Port/FSC to ATG Cable Kit	\$ 156.00
39	20-1517-01	External Modem Cable	\$ 68.00
40	75-2030	USB-to-Serial Port PC Converter	\$ 64.00
41	20-1689	Universal D-Box Interface Cable	\$ 130.00
42	20-1517-05	Journal Printer cable	\$ 68.00

## Pump Control Options For FSC3000™

### PCM (Pump Control Modules for connection to mechanical pumps)

Item #	Part Number	Description	List Price
43	20-4404-04	PCM Two hose master installation kit for Remote Cabinet	\$ 875.00
44	20-4405	PCM Two hose slave module - Connects to master PCM to control 2 additional hoses	\$ 605.00
45	20-8225-PCM	Remote PCM Cabinet with PCM Two Hose Master and Power Supply (20-4405 PCM Two Hose Slave Module Optional)	\$ 1,570.00

For Mechanical Pumps it is also possible to utilize the relays in the K800 Hybrid FIT

# Pump Control Options For FSC3000™

## DPC (Direct Pump Control for electronic dispensers)

Item #	Part Number	Description	List Price
46	SF022	Direct Pump Control Software	\$ 1,035.00
47	20-8225-DPC	Remote Mount DPC Interface Module for Gilbarco/Wayne w/ cable	\$ 1,075.00
48	20-4422	Gasboy 9800 Series Direct Pump Control Interface Module and cable	\$ 850.00

## UPC (Universal Pump Controller for control via a pump control console)

49	20-8038	External UPC for FSC3000/System2 FSC (Requires a 20-4132 interface kit)	\$ 2,155.00
50	20-4132-WYN	Wayne UPC External Interface Kit	\$ 410.00
51	20-4132-GIL2	Gilbarco External TS-1000 UPC Interface Kit (includes 9-pin personality cable)	\$ 410.00
52	20-4132-TOK	Tokheim UPC External Interface Kit	\$ 410.00

## K800 Hybrid FIT

53	K800-HFIT-0	Hybrid Fuel Island Terminal (HFIT) (includes, 2X16 LCD display, heater, pedestal and choice of ChipKey or 20-4139-01 magnetic stripe card reader (Must Specify Reader When Ordered)	\$ 2,885.00
54	K800-HFIT-2	Hybrid Fuel Island Terminal (HFIT) 2-Hose (includes 2-Hose Pump Control, 2X16 LCD display, heater, pedestal and choice of ChipKey or 20-4139-01 magnetic stripe card readers (Must Specify Reader When Ordered)	\$ 3,580.00
55	K800-HFIT-4	Hybrid Fuel Island Terminal (HFIT) 4-Hose (includes 4-Hose Pump Control, 2X16 LCD display, heater, pedestal and choice of ChipKey or 20-4139-01 magnetic stripe card readers	\$ 4,275.00
56	K800-FIT-DIV2*	Division 2 option for K800 Hybrid FITs	\$ 900.00

\*External FSC only

### K800 FIT Options

57	20-4124	Pocket Weathershield	\$ 89.00
58	20-4282	Proximity Reader Option for K800 FIT - (HYBRID ONLY)	\$ 2,435.00
59	20-4268	Voltage-to-Current Sense Converter Module (required for dispensers with little or no current draw)	\$ 52.00
60	20-4192	System 2 Alpha Shift Key Option	\$ 255.00
61	S08521	Hybrid Fit Software (Network Number Required)	\$ 177.00
62	20-4139-01	K800 Hybrid Mag Reader Option Conversion Kit	\$ 635.00
63	Allow-PED	If you do not require a pedestal deduct	\$ (112.00)

## Activating Devices

### Cards/Keys

64	20-4120	ChipKey	\$ 6.00
65	54-1002-MAG	Blue Mag-stripe Card (please specify card range and network number)	\$ 2.00
66	54-1005-MAG	White Mag-Stripe Card	\$ 2.00
67	54-100X-MAG	Non Standard Mag-stripe Cards (X specifies color: 3-Green, 4-Yellow, 6-Tan)	\$ 5.00
68	54-1020-C	Standard Encoding for ChipKeys, Proximity Cards/Keys or Mag-stripe Cards by OPW (per device) Please specify card/key range and network number	\$ 2.00
69	54-1023	Proximity II Card (thick card with clip hole)	\$ 10.00
70	54-1029	Proximity Key II	\$ 13.00
71	54-1008	Vehicle Card Pocket for Each (Quantities of 100 Only)	\$ 2.00
72	54-1014	Protective Card Pocket for Each (Quantities of 100 Only)	\$ 2.00
73	54-1015	Safe Card Envelope for Each (Quantities of 100 Only)	\$ 2.00

### Encoders

74	20-7053	Magnetic Card Encoder	\$ 1,550.00
75	20-8039	ChipKey Encoder	\$ 995.00

# PHOENIX SOFTWARE

**Phoenix SQL Lite™** and **Phoenix SQL™** are powerful data management and communications software packages designed to work specifically with both the FSC3000 and System2 FSC. With **Phoenix Software** you have the ability to reconcile fuel data between your fuel control system and OPW or third party automatic tank gauge system. (Note: The features are different for the K800 Phoenix versions. Refer to the product brochures for details.)

## SQL Lite Version

Item #	Part Number	Description	List Price
76	20-6180	Phoenix SQL Lite PC Based Software w/Support for OPW & 3rd Party ATGs (Please Provide End-User's Company Name, Contact Name, Phone Number and Email For Sending SQL Lite Download Link)	\$ 2,091.00

### Installation and Startup Service (must be purchased with system)

77	20-6180-03	Factory-Direct Telephone Training for Phoenix SQL Lite	\$ 482.00
----	------------	--	-----------

## SQL Version

78	20-6162	Phoenix SQL Software Base Price (includes connection for 2 sites with Petro Vend Fuel Controls and OPW Gauges)	\$ 3,563.00
79	20-6162-XS	Price for each additional single site	\$ 317.00
80	20-6162-3RD	SQL version with connection to 3rd party gauges	\$ 964.00
81	20-6162-GM	Adds multi-level user security features	\$ 840.00
82	20-6150-TST*	Phoenix TEST Version	\$ 1,088.00

\*Commercial use of Phoenix TEST Version is expressly forbidden. Requires user sign-off.

### Installation and Startup Service (must be purchased with system)

83	20-6150-06	Factory-direct telephone training service for Phoenix SQL with OPW or Third Party Tank Gauge and Phoenix SQL.	\$ 826.00
----	------------	---	-----------

**PC Hardware Requirements for Phoenix SQL: Windows PC (Windows XP, 2003 Server, 2008 Server, Vista and Windows 7) with 1.5 GHz or higher processor speed, 1 GB RAM, CD-ROM drive, 250 MB hard disk space.**

## Petro Vend K800™ Hybrid System - Sample Configuration

The following sample system configuration is for a municipality with a single site. The site has one island with four 4-hose mechanical dispenser and 150 vehicles. The FSC will be mounted inside the fuel island terminal out at the island. A spare conduit is not available to run the PetroNet communications wiring from the building to the island. The municipality will capture transaction data on a USB key located inside the K800 FIT and will update and retrieve card and transaction data using a Bluetooth enabled PC laptop.

Qty	Part Number	Description	List Price	Extended List Price
1	20-4291	The K800 Hybrid Internal FSC3000 Includes USB Transaction Storage, Standard Card Record Software, Downloadable Software, ARTWare Windows-Based Configuration Utility Software, Built-in 10base-T Ethernet Port, 8 Serial Communication Ports, Direct-Connect PC Cable, Petro-net Cable, Plug-in Memory Module with Transaction Memory Level 2 (500 Transactions) and Card Memory Level 2 (2000 cards), CD With System Documentation, Printed Installation Manual.	\$ 4,282.00	\$ 4,282.00
1	K800-HFIT-4	Hybrid Fuel Island Terminal (HFIT) 4-Hose (includes 4-Hose Pump Control, 2X16 LCD display, heater, pedestal and choice of ChipKey or 20-4139-01 magnetic stripe card readers	\$ 4,275.00	\$ 4,275.00
1	20-4124	Pocket Weathershield	\$ 89.00	\$ 89.00
150	54-1020-C	Standard Encoding for ChipKeys, Proximity Cards/Keys or Mag-stripe Cards by OPW (per device) Please specify card/key range and network number	\$ 2.00	\$ 300.00
150	54-1002-MAG	Blue Mag-stripe Card (please specify card range and network number)	\$ 2.00	\$ 300.00
1	3000-CU	USB Card Update Module	\$ 450.00	\$ 450.00
1	20-6180	Phoenix SQL Lite PC Based Software w/Support for OPW & 3rd Party ATGs (Please Provide End-User's Company Name, Contact Name, Phone Number and Email For Sending SQL Lite Download Link)	\$ 2,091.00	\$ 2,091.00
1	20-6180-03	Factory-Direct Telephone Training for Phoenix SQL Lite	\$ 482.00	\$ 482.00
<b>Total Price</b>			<b>\$ 12,269.00</b>	

## Petro Vend K800™ Hybrid System - Sample Configuration

The following sample system configuration is for a municipality with a single site. The site has two islands with two 2-hose mechanical dispenser on each (8-hoses total) and 150 vehicles. The FSC will be directly connected to an on-site PC. The municipality wants to use the proximity cards that they currently use for building access to also activate the fuel system. Printed receipts are NOT required.

Qty	Part Number	Description	List Price	Extended List Price
1	20-8057	The External FSC3000 Includes USB Transaction Storage, Standard Card Record Software, Downloadable Software, ARTWare Windows-Based Configuration Utility Software, Built-in 10base-T Ethernet Port, 8 Serial Communication Ports, Direct-Connect PC Cable, Petro-net Cable, Plug-in Memory Module with Transaction Memory Level 2 (500 Transactions) and Card Memory Level 2 (2000 cards), CD With System Documentation, Printed Installation Manual.	\$ 4,282.00	\$ 4,282.00
2	K800-HFIT-4	Hybrid Fuel Island Terminal (HFIT) 4-Hose (includes 4-Hose Pump Control, 2X16 LCD display, heater, pedestal and choice of ChipKey or 20-4139-01 magnetic stripe card readers	\$ 4,275.00	\$ 8,550.00
2	20-4124	Pocket Weathershield	\$ 89.00	\$ 178.00
2	20-4282	Proximity Reader Option for K800 FIT - (HYBRID ONLY)	\$ 2,435.00	\$ 4,870.00
1	20-6180	Phoenix SQL Lite PC Based Software w/Support for OPW & 3rd Party ATGs (Please Provide End-User's Company Name, Contact Name, Phone Number and Email For Sending SQL Lite Download Link)	\$ 2,091.00	\$ 2,091.00
1	20-6180-03	Factory-Direct Telephone Training for Phoenix SQL Lite	\$ 482.00	\$ 482.00
			<b>Total Price</b>	<b>\$ 20,453.00</b>

## Petro Vend K800™ Hybrid Replacement Parts

Item #	Part Number	Description	List Price
84	02-4001	Corcom Filter	\$ 71.00
85	02-4002	Noise Suppressor	\$ 22.00
86	06-0015	Heater Relay	\$ 25.00
87	07-0046	Modem Model 1023 Power Pack (33.6k and network)	\$ 35.00
88	07-0056	Indoor Wireless Modem Power Supply	\$ 39.00
89	07-3003	Power Supply 3"X5" 15V/2.7A	\$ 94.00
90	07-3004	Indoor Wireless Modem Power Supply	\$ 81.00
91	09-0007	Fuel Island Terminal Power Switch	\$ 33.00
92	09-4007-R	Keypad Rubber Contact Pad for 20-4136 Keypad	\$ 99.00
93	12-1029	Petro-Net Wire (2-Conductor, 18AWG TFFN Twisted) - 1500 ft. (457 m) roll	\$ 1,005.00
94	12-3038	Wireless Modem Antenna Cable Assembly - 20 foot antenna with bulkhead connector for 6 inch antenna	\$ 190.00
95	12-3039	Wireless Modem Antenna Cable - 20 foot antenna for 15 inch antenna (Omni)	\$ 190.00
96	12-3040	Wireless Modem Antenna Cable Assembly - 1 foot antenna with bulkhead connector for 6 inch antenna	\$ 132.00
97	13-0017-R	Replacement Key (2 key minimum; allow 2 weeks for delivery)	\$ 36.00
98	13-0017-C	Emergency Duplicate Key (Specify 3-letter prefix and number)	\$ 61.00
99	20-0219	PV241 K800 Display Assembly	\$ 290.00
100	20-0612	Direct Pump Control (DPC)/Handle Monitor Board Assembly	\$ 930.00
101	20-0614	Direct Terminal Control (DTC) Board	\$ 915.00
102	20-1441	Fuel Island Terminal Main Cable	\$ 136.00
103	20-1442	PV247 to PV240 Cable (FIT board to relay board)	\$ 73.00
104	20-1443	Petro-Net Cable (connects FSC or Model 3 to Petro-Net Communications Junction Box Cover)	\$ 136.00
105	20-1444	External Office Journal Printer Cable (Sys2)	\$ 141.00
106	20-1446	Power Wire Harness	\$ 63.00
107	20-1447	PV247 to Heater Relay Cable	\$ 35.00
108	20-1456	Modem/Pass-through Port Cable	\$ 129.00
109	20-1520-01	PC-CRT Cable for FSC3000	\$ 133.00
110	20-1535	K800 PDI 211 Reverse Read Cable	\$ 114.00
111	20-1608	Wireless Modem PetroNET Connector Assembly	\$ 61.00
112	20-1619	Cable K800 Hybrid Proximity Reader	\$ 78.00
113	20-2123-P	Replacement Fuel Island Terminal Door Assembly	\$ 615.00
114	20-4007	Enclosure Lock with Lock Bar	\$ 44.00
115	20-4089	External FSC3000 Display Assembly	\$ 141.00
116	20-4089-01	Internal FSC3000 Display Assembly for C/OPT, FIT500 and K800 Hybrid Integrated Systems	\$ 141.00
117	20-4117	ChipKey Reader Assembly	\$ 315.00
118	20-4124	Pocket Weathershield	\$ 89.00

## Petro Vend K800™ Hybrid Replacement Parts

Item #	Part Number	Description	List Price
119	20-4136	Keypad Assembly	\$ 288.00
120	20-4137	Pedestal	\$ 615.00
121	20-4138	115V Heater Assembly	\$ 185.00
122	20-4138-230	230V Heater Assembly	\$ 185.00
123	20-4139-01	K800 Hybrid Mag Reader Option Conversion Kit	\$ 635.00
124	20-4141	ChipKey Reader Option Conversion Kit	\$ 635.00
125	20-4192	System 2 Alpha Shift Key Option	\$ 255.00
126	20-4270-01	Internal Dial-in Modem with phone line cable	\$ 620.00
127	20-4282	Proximity Reader Option for K800 FIT - (HYBRID ONLY)	\$ 2,435.00
128	20-5017	Emergency Stop Button Assembly	\$ 67.00
129	20-5023	110V Fuel Island Terminal Transformer Assembly	\$ 165.00
130	20-7050	Office Journal Printer	\$ 925.00
131	20-7074	Wireless Petro-Net Modem Assembly (Indoor)	\$ 1,240.00
132	20-7075	Wireless Petro-Net Modem Assembly (Outdoor)	\$ 1,300.00
133	20-7078	Dial-out Modem for Network Authorization (includes 20-1517-01 cable)	\$ 620.00
134	20-7079	Wireless PetroNet Kit - Includes 1 indoor modem assembly, 1 outdoor modem assembly, 2 directional antennas with 20 foot antenna cables.	\$ 1,690.00
135	20-7083	Compact Flash Transaction Recorder	\$ 1,445.00
136	50-0137	Chip Key Reader Clip	\$ 10.00
137	52-0045	K800 Enclosure Cabinet	\$ 435.00
138	75-0150	USB Key for FSC3000 (Require Serial Number of SIMM Card)	\$ 60.00
139	75-1016	Replacement Mag Reader Head	\$ 120.00
140	75-2037	FSC3000 Internal Modem	\$ 620.00
141	75-2039	Wireless Modem Antenna - 15" High Gain (Omni)	\$ 545.00
142	75-2044	High Gain Antenna Kit for SiteSentinel iSite Wireless Option	\$ 245.00
143	75-2047	Wireless Replacement Modem (specify indoor or outdoor)	\$ 842.00
144	75-3012	K800 Hybrid Mag Reader	\$ 566.00
145	75-3023	Replacement Proximity Reader Only	\$ 610.00
146	S08521	Hybrid Fit Software (Network Number Required)	\$ 177.00

## Petro Vend K800™ Hybrid Remanufactured Parts

### Explanation of Core Credit Return Pricing

- 1) **LIST PRICE** - The price paid by the customer when no exchange part is provided at the time of the transaction. It is also the value of the credit to be issued when a part is returned, under warranty, with appropriate documentation (tag or labeled shipping container).
- 2) **CORE VALUE** - The value of the credit to be issued when a non-warranty part is returned with appropriate documentation (tag or labeled shipping container)
- 3) **CORE REVISION (Core Rev.)** - The acceptable board revision code.
- 4) **WARRANTY** - 90 days from the date of installation of the part or for the remainder of the warranty life of the system.
- 5) **FREIGHT**: All freight, clearance and import costs are paid by customer.

Item #	Part Number	Description	List Price	Core Value
147	R20-0218	PV240 Pump Relay Board (Core Rev.C)	\$ 985.00	\$ 150.00
148	R20-0222	PV247 Fuel Island Terminal Board (Core Rev.E)	\$ 2,935.00	\$ 1,200.00
149	R20-0340-01	PCM2 - Hose Master (Core Rev.C)	\$ 855.00	\$ 200.00
150	R20-0340-02	PCM2 - Hose Slave (Core Rev.C)	\$ 697.00	\$ 150.00
151	R20-0380	FSC3000 Fuel Site Controller main board (Core Rev.C)	\$ 1,425.00	\$ 250.00

<b>Petro Vend Pulsers</b>			
<b>Item #</b>	<b>Part Number</b>	<b>Description</b>	<b>List Price</b>
1	400050	Model 50 Pulser	\$ 210.00
2	4000500	Model 500 Pulser	\$ 210.00
3	4500211	Short Shaft Extension (Model 500) (.75 inches)	\$ 21.00
4	4500212	Shaft Extension (Model 500) (1 inch)	\$ 22.00
5	4000500-12	Model 500 Pulser 12V	\$ 210.00
6	4000800F	Model 800-F Pulser	\$ 210.00
7	4000800F-12	Model 800-F Pulser - 12V	\$ 210.00
8	51-0291	Coupling For 500 Pulser	\$ 21.00

**TERMS**

Ex-works our facility, Hodgkins, Illinois, USA  
 Installation not included  
 All trade names are registered. Patents pending  
 Subject to engineering improvement and/or change

PRICES SUBJECT TO CHANGE WITHOUT NOTICE

**OPW FUEL MANAGEMENT SYSTEMS** • 6900 Santa Fe Drive • Hodgkins, IL 60525 USA  
 Phone (708) 485-4200 • Fax (708) 485-4630 • www.opwglobal.com

## Pulsers and Accessories at a glance

Model #	500	800-F	50
Part #	4000500	4000800-F	400050
Pulse Ratio	\$.01 / 1/10,1/100	1/10	1/10
101	■ / ■		
2001/2002	/ ■		
2002E	■ / ■		
VR10/4	■ / ■		
VR10	■ / ■		
Non-Computer	■		
Fill-Rite 800/900		■	
Tokheim/Gasboy 793/50			■
Veeder-Root 7886/7867 New Style			

■ Compatible

**ALL PULSERS MAY BE ORDERED FOR 220V, 50 Hz. OPERATION.**

### TERMS

Ex-works our facility, Hodgkins, Illinois, USA

Installation not included

All trade names are registered. Patents pending

Subject to engineering improvement and/or change

PRICES SUBJECT TO CHANGE WITHOUT NOTICE

**OPW FUEL MANAGEMENT SYSTEMS** • 6900 Santa Fe Drive • Hodgkins, IL 60525 USA  
 Phone (708) 485-4200 • Fax (708) 485-4630 • www.opwglobal.com

## Petro Vend FSC3000™ Replacement Parts

Item #	Part Number	Description	List Price
1	20-1517-01	External Modem Cable	\$ 68.00
2	20-1517-05	Journal Printer cable	\$ 68.00
3	20-1596	Cable Direct Pump Control	\$ 99.00
4	20-1613	Ethernet cable	\$ 40.00
5	20-4089	External FSC3000 Display Assembly	\$ 141.00
6	20-4089-01	Internal FSC3000 Display Assembly for C/OPT, FIT500 and K800 Hybrid Integrated Systems	\$ 141.00
7	20-4267	Pass-through Port/FSC to ATG Cable Kit	\$ 156.00
8	20-4270-02	Internal Modem Field Option	\$ 620.00
9	20-7073	Journal Printer (includes 20-1517-05 cable)	\$ 925.00
10	20-7078	Dial-out Modem for Network Authorization (includes 20-1517-01 cable)	\$ 620.00
11	48-0209	Battery, 3V, 500MA	\$ 70.00
12	20-1520-01	PC-CRT Cable for FSC3000	\$ 133.00
13	75-0150	USB Key for FSC3000 (Require Serial Number of SIMM Card)	\$ 60.00
14	20-1443	Petro-Net Cable (connects FSC or Model 3 to Petro-Net Communications Junction Box Cover)	\$ 136.00
15	07-3004	Indoor Wireless Modem Power Supply	\$ 81.00
16	75-2030	USB-to-Serial Port PC Converter	\$ 64.00
17	20-8225	Remote PCM cabinet with power supply - Holds one master/slave PCM pair	\$ 735.00
18	75-2037	FSC3000 Internal Modem	\$ 620.00

## Petro Vend FSC3000™ Remanufactured Parts

### Explanation of Core Credit Return Pricing

- 1) **LIST PRICE** - The price paid by the customer when no exchange part is provided at the time of the transaction. It is also the value of the credit to be issued when a part is returned, under warranty, with appropriate documentation (tag or labeled shipping container).
- 2) **CORE VALUE** - The value of the credit to be issued when a non-warranty part is returned with appropriate documentation (tag or labeled shipping container)
- 3) **CORE REVISION (Core Rev.)** - The acceptable board revision code.
- 4) **WARRANTY** - 90 days from the date of installation of the part or for the remainder of the warranty life of the system.
- 5) **FREIGHT**: All freight, clearance and import costs are paid by customer.

Item #	Part Number	Description	List Price	Core Value
19	R20-0380	FSC3000 Fuel Site Controller main board (Core Rev.C)	\$ 1,425.00	\$ 250.00
20	R20-0381-03	FSC3000 SIMM Card (Specify FSC Serial # For Options)	\$ 3,955.00	\$ 2,200.00
21	R20-8038	Universal Pump Controller	\$ 1,950.00	\$ 350.00

### TERMS

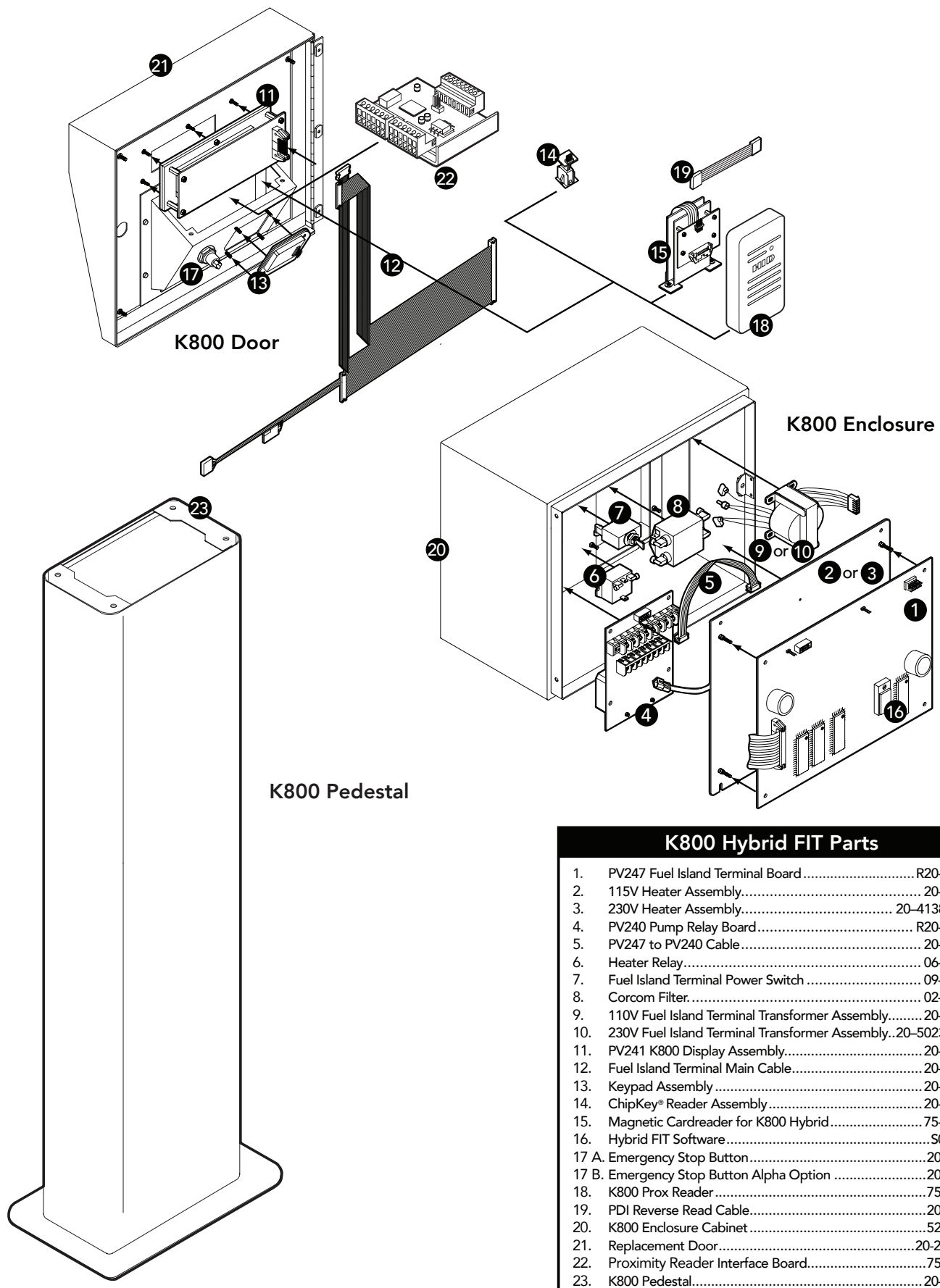
Ex-works our facility, Hodgkins, Illinois, USA  
Installation not included  
All trade names are registered. Patents pending  
Subject to engineering improvement and/or change

PRICES SUBJECT TO CHANGE WITHOUT NOTICE

**OPW FUEL MANAGEMENT SYSTEMS** • 6900 Santa Fe Drive • Hodgkins, IL 60525 USA  
Phone (708) 485-4200 • Fax (708) 485-4630 • www.opwglobal.com

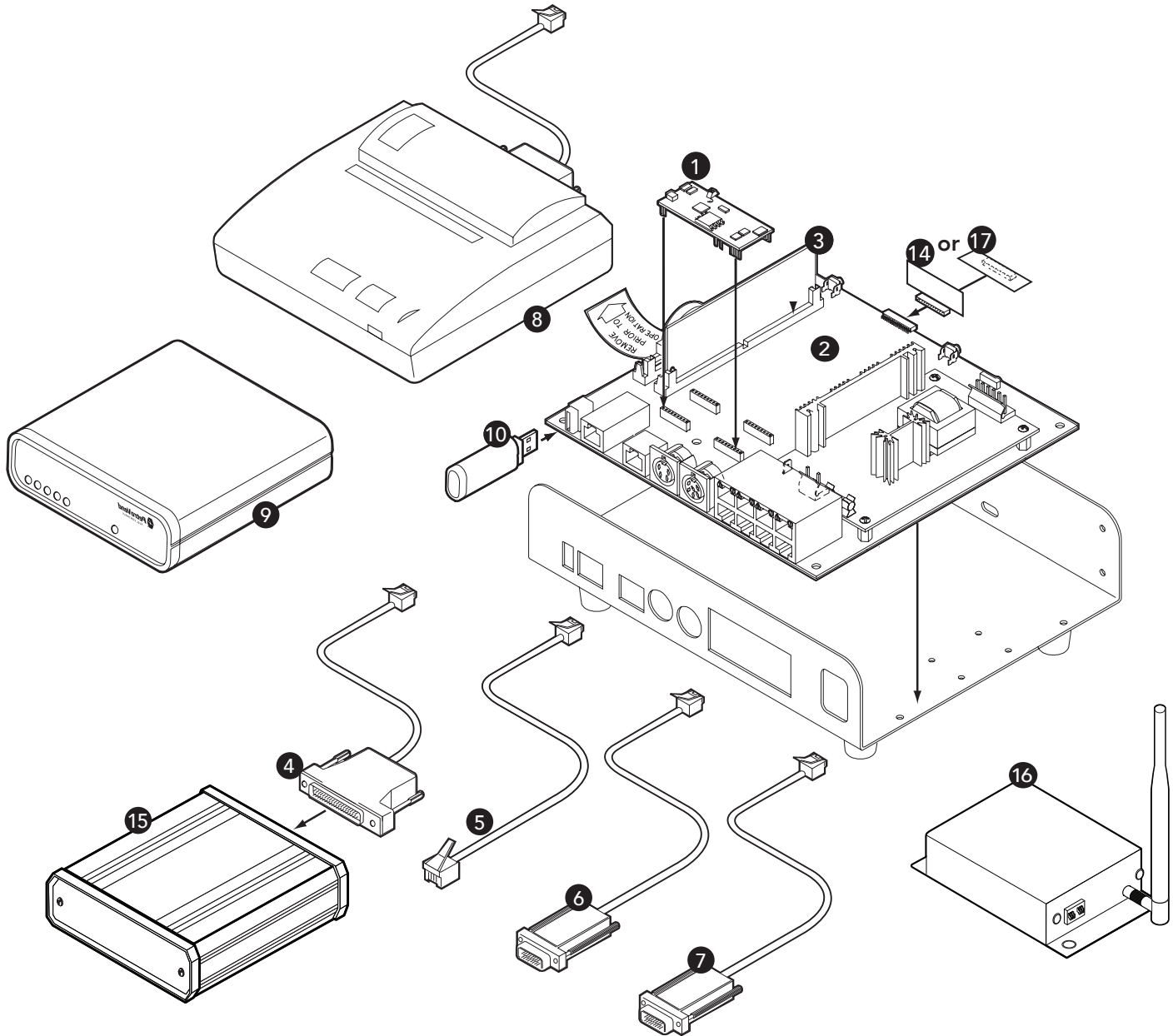


# K800™ Hybrid FIT



K800 Hybrid FIT Parts	
1.	PV247 Fuel Island Terminal Board ..... R20-0222
2.	115V Heater Assembly..... 20-4138
3.	230V Heater Assembly..... 20-4138-230
4.	PV240 Pump Relay Board..... R20-0218
5.	PV247 to PV240 Cable..... 20-1442
6.	Heater Relay..... 06-0015
7.	Fuel Island Terminal Power Switch ..... 09-0007
8.	Corcom Filter..... 02-4001
9.	110V Fuel Island Terminal Transformer Assembly..... 20-5023
10.	230V Fuel Island Terminal Transformer Assembly..20-5023-230
11.	PV241 K800 Display Assembly..... 20-0219
12.	Fuel Island Terminal Main Cable.....20-1441
13.	Keypad Assembly.....20-4136
14.	ChipKey® Reader Assembly.....20-4117
15.	Magnetic Cardreader for K800 Hybrid.....75-3012
16.	Hybrid FIT Software.....508521
17 A.	Emergency Stop Button.....20-5017
17 B.	Emergency Stop Button Alpha Option .....20-4192
18.	K800 Prox Reader.....75-3023
19.	PDI Reverse Read Cable.....20-1535
20.	K800 Enclosure Cabinet.....52-0045
21.	Replacement Door.....20-2123-P
22.	Proximity Reader Interface Board.....75-2043
23.	K800 Pedestal.....20-4137

# FSC3000™ Fuel Site Controller



FSC3000™  
Fuel Site Controller

## FSC3000™ Fuel Site Controller Parts

1. FSC3000 Internal Modem .....	75-2037
2. FSC3000 Main Board .....	R20-0380
3. FSC3000 SIMM Module .....	R20-0381-03*
4. Cable FSC3000 Printer .....	20-1517-05
5. Ethernet Cable RJ45 to RJ45 .....	20-1613
6. Network Modem Cable .....	20-1517-01
7. PC/CRT Cable .....	20-1520-01
8. Journal Printer with Cable .....	20-7073
9. Network Modem .....	20-7078
10. FSC to Tank Gauge Cable Kit (not shown) (consists of 20-1613, 20-1614 and 20-1615) .....	20-4267
11. FSC3K ARTWare Config. Software (not shown) .....	S030300
12. FSC3000 Installation Manual (not shown) .....	M1700
13. USB Key .....	75-0108
14. Display Assy. External FSC 3000 .....	20-4089
15. Compact Flash Transaction Recorder .....	20-7083
16. Indoor Wireless Modem .....	75-2047
17. Internal FSC3000 Display .....	20-4089-01

\* Requires configuration



# Petro Vend FIT500 Fuel Control System

Price List Effective March 1, 2017

TABLE OF CONTENTS	
Topic	Page #
Petro Vend FIT500 Fuel Control System Ordering Assistance	36
Petro Vend FIT500 Fuel Control System	36-38
Phoenix – PC Software	38
Petro Vend FIT500 System - Sample Configuration	39
Petro Vend FIT500 Replacement Parts	39-40
Petro Vend FIT500 Remanufactured Parts	40
Petro Vend Pulsers	41
Petro Vend Pulsers and Accessories at a Glance	42
Petro Vend FSC3000 Replacement and Remanufactured Parts	43
Exploded View of FIT500 System	44
Exploded View of FSC3000 Fuel Site Controller	45

## Petro Vend FIT500 Fuel Control System

### Ordering Assistance

Each FIT500 Fuel Control System requires an FSC3000 Site Controller, Pump Controls and Activation Devices. A selection of options needs to be made from each of the categories listed below. If you require assistance in choosing these options please contact your Local Distributor, District Manager or OPW Fuel Management Systems Customer Service Department

### Site Controller Options

The FIT500 connects to FSC3000. This device contains the SOFTWARE that runs the system, MEMORY to store card records and transactions, and COMMUNICATION ports for peripheral devices.

### Pump Controls

The FSC3000 has the capacity to control both mechanical and electronic pumps using Pump Control Modules or Universal Pump Controllers. The FSC3000 also has Direct Pump Control capability for certain electronic pump models. Select the appropriate controls for the site.

### Activating Devices

Drivers can activate the FIT500 using Magnetic Stripe Cards, Optic Cards, Proximity Cards, Proximity Keys, ChipKeys, or Keyboard Entry.

### PHOENIX PC Software

Maintaining card databases, polling transactions, and creating reports requires a version of Phoenix software. Select the one that best suits the requirements of the site.

## Petro Vend FIT500™ Fuel Control System

### The FSC3000™

Item #	Part Number	Description	List Price
1	20-8057	The External FSC3000 Includes USB Transaction Storage, Standard Card Record Software, Downloadable Software, ARTWare Windows-Based Configuration Utility Software, Built-in 10base-T Ethernet Port, 8 Serial Communication Ports, Direct-Connect PC Cable, Petro-net Cable, Plug-in Memory Module with Transaction Memory Level 2 (500 Transactions) and Card Memory Level 2 (2000 cards), CD With System Documentation, Printed Installation Manual.	\$ 4,282.00
Item #	Part Number	Description	List Price
2	20-4292	The FIT500 Internal FSC3000 Includes USB Transaction Storage, Standard Card Record Software, Downloadable Software, ARTWare Windows-Based Configuration Utility Software, Built-in 10base-T Ethernet Port, 8 SERIAL Communication Ports, Direct-Connect PC Cable, Petro-net Cable, Plug-in Memory Module with Transaction Memory Level 2 (500 Transactions) and Card Memory Level 2 (2000 cards), CD With System Documentation, Printed Installation Manual.	\$ 4,282.00

## Petro Vend FIT500™ Fuel Control System (Continued)

### Peripheral Options

3	SF-PSIGN	Future Media Price Sign Support (Includes 20-1519-01 cable)	\$ 440.00
4	SF-TIERDISC	Tiered Discount (supports Gasboy-formatted Mag Cards)	\$ 1,256.00
5	SF-TIERACCTS	Tiered Accounts	\$ 1,256.00
6	20-4270-01	Internal Dial-in Modem with phone line cable	\$ 620.00
7	20-7078	Dial-out Modem for Network Authorization (includes 20-1517-01 cable)	\$ 620.00
8	20-6020-EXT	Wireless Ethernet Kit - Includes Two Standard 802.11 Wireless Bridge Modems and Antennas	\$ 1,690.00
9	20-6020-INT	Wireless Ethernet Kit - Includes One Standard 802.11 Wireless Bridge Modem, One Socket Device 802.11 Wireless Bridge Modem and Two Antennas	\$ 1,690.00
10	20-7073	Journal Printer (includes 20-1517-05 cable)	\$ 925.00
11	20-7079	Wireless PetroNet Kit - Includes 1 indoor modem assembly, 1 outdoor modem assembly, 2 directional antennas with 20 foot antenna cables.	\$ 1,690.00
12	SF023	USB Card Update Module	\$ 455.00
13	20-6000	IP Converter Kit for Fleet Only	\$ 1,585.00
14	20-6005	3G Cellular IP Converter for CFN, Tchek, TCH, EFS, PaymentechFleet (AT&T)	\$ 1,315.00
15	20-6009	3G Cellular IP Converter Inbound Only AT&T (includes cables)	\$ 1,315.00
16	20-6010	3G Cellular IP Converter Inbound Only Verizon (includes cables)	\$ 1,315.00
17	20-6012	IP Converter Kit for IOL	\$ 1,585.00
18	20-6013	IP Converter Kit For NBS, Paymentech, Fleet and Pac Pride (Includes Cables)	\$ 1,585.00
19	20-6014	3G Cellular IP Converter for CFN, Tchek, TCH, EFS, Paymentech Fleet (Verizon)	\$ 1,315.00
20	20-6015	3G Cellular IP Converter (AT&T - Fleet and Bank Card)	\$ 1,315.00
21	20-6016	3G Cellular IP Converter (Verizon - Fleet and Bankcard)	\$ 1,315.00

### Memory Options

22	SF032	Transaction Memory Level 3 (1,000 transactions)	\$ 735.00
23	SF033	Transaction Memory Level 4 (2,000 transactions)	\$ 1,330.00
24	SF029	Card Memory Level 3 (8,000 cards)	\$ 735.00
25	SF030	Card Memory Level 4 (16,000 to 64,000 cards depending on configured options)	\$ 1,330.00
26	SF-CL5	Card Memory Level 5 (64,000+ cards depending on configured options, requires 2nd SIMM)	\$ 2,065.00

### Card Authorization Network Options (Requires Dial-Out Modem)

27	SF015	NBS Network (Processes Credit Cards, WEX, Voyager, M/C Fleet, Visa Fleet, Fleetcor cards including Fuelman, Gascard, & Fuelman dual-network cards)	\$ 2,047.00
28	SF025	Paymentech Network (Processes Credit Cards, WEX, Voyager, M/C Fleet, Visa Fleet, Fleetcor cards including Fuelman, Gascard, & Fuelman dual-network cards)	\$ 2,047.00
29	SF-BUYPASS	Buypass Network (Processes Visa, MasterCard, MasterCard Fleet, Visa Fleet, Voyager, Wright Express, Amex, Sinclair, Discover/Diners/JCB)	\$ 2,047.00
30	SF-COMPOS	Comdata Network - TCP/IP capable	\$ 1,256.00
31	SF-019	Federated Co-op	\$ 1,256.00
32	SF012	TCH Network	\$ 1,256.00
33	SF011	TCH Network	\$ 1,256.00
34	SF026	FleetOne Network	\$ 1,256.00
35	SF018	CFN Network (Processes original CFN cards and Fleetcor dual-network cards)	\$ 1,256.00
36	SF013	EFS Network	\$ 1,256.00
37	SF027	Comdata Network	\$ 1,256.00
38	SF010	Irving Oil Network	\$ 1,256.00
39	SF-0060	Kardall Hosting Solution (requires internet connectivity and IP converter)	\$ 1,310.00
40	SF-0065	Company Card Hosting Solution	\$ 1,256.00
41	SF-0064	Intevecon Hosting Solution	\$ 1,256.00
42	SF016	FUELMAN Network	\$ 1,256.00
43	SF-0062	Simultaneous card authorization for two different networks option	\$ 650.00
44	SF-0063	Loyalty Flag	\$ 510.00
45	SF020	Pacific Pride Network, includes TL4 memory and 20-1517-01 cable	\$ 2,143.00

### Cables

Item #	Part Number	Description	List Price
46	20-4267	Pass-through Port/FSC to ATG Cable Kit	\$ 156.00
47	20-1517-01	External Modem Cable	\$ 68.00
48	75-2030	USB-to-Serial Port PC Converter	\$ 64.00
49	20-1689	Universal D-Box Interface Cable	\$ 130.00
50	20-1517-05	Journal Printer cable	\$ 68.00

## Pump Control Options For FSC3000

### PCM (Pump Control Modules for connection to mechanical pumps)

51	20-4404-03	PCM Two hose master installation kit for FIT500	\$ 875.00
52	20-4404-04	PCM Two hose master installation kit for Remote Cabinet	\$ 875.00
53	20-4405	PCM Two hose slave module - Connects to master PCM to control 2 additional hoses	\$ 605.00
54	20-8225-PCM	Remote PCM Cabinet with PCM Two Hose Master and Power Supply (20-4405 PCM Two Hose Slave Module Optional)	\$ 1,570.00
55	20-1659	PCM Manual Override Cable Assembly	\$ 453.00

## Petro Vend FIT500™ (continued)

### DPC (Direct Pump Control for electronic dispensers)

56	SF022	Direct Pump Control Software	\$ 1,035.00
57	20-8225-DPC	Remote Mount DPC Interface Module for Gilbarco/Wayne w/ cable	\$ 1,075.00
58	20-4419-DPC	Pedestal Mount DPC Interface Module for Gilbarco/Wayne w/ cable	\$ 848.00
59	20-4422	Gasboy 9800 Series Direct Pump Control Interface Module and cable	\$ 850.00

### UPC (Universal Pump Controller for control via a pump control console)

60	20-8038	External UPC for FSC3000/System2 FSC (Requires a 20-4132 interface kit)	\$ 2,155.00
61	20-4132-WYN	Wayne UPC External Interface Kit	\$ 410.00
62	20-4132-GIL2	Gilbarco External TS-1000 UPC Interface Kit (includes 9-pin personality cable)	\$ 410.00
63	20-4132-TOK	Tokheim UPC External Interface Kit	\$ 410.00

### FIT500 (Fuel Island Terminal)

64	FIT500	The FIT500 features a Stainless Steel Cabinet and Pedestal, 10" Full Color Graphics Display with User Programmable Images, Four Stainless Steel Function Buttons, Stainless Steel Alpha & Numeric Keypads, Dual-head Card Reader, Thermostatically-Controlled Heater and Illuminated Front Panel.	\$ 7,800.00
----	--------	---	-------------

#### FIT500 Options

65	20-4280	FIT500 Receipt Printer Option	\$ 1,820.00
66	20-8230	FIT500 Dual Card Reader and Function Keypad Pedestal Option (American Disability Act (ADA) compliant) - available for FIT500 without receipt printer only	\$ 960.00

### Activating Devices

#### Cards/Keys

67	54-1002-MAG	Blue Mag-stripe Card (please specify card range and network number)	\$ 2.00
68	54-1005-MAG	White Mag-Stripe Card	\$ 2.00
69	54-100X-MAG	Non Standard Mag-stripe Cards (X specifies color: 3-Green, 4-Yellow, 6-Tan)	\$ 5.00
70	54-1008	Vehicle Card Pocket for Each (Quantities of 100 Only)	\$ 2.00
71	54-1014	Protective Card Pocket for Each (Quantities of 100 Only)	\$ 2.00
72	54-1015	Safe Card Envelope for Each (Quantities of 100 Only)	\$ 2.00
73	54-1020-C	Standard Encoding for ChipKeys, Proximity Cards/Keys or Mag-stripe Cards by OPW (per device) Please specify card/key range and network number	\$ 2.00

#### Card / Key Encoders

74	20-7053	Magnetic Card Encoder	\$ 1,550.00
----	---------	-----------------------	-------------

#### Related Items

75	20-4267	Pass-through Port/FSC to ATG Cable Kit	\$ 156.00
76	20-1533	RJ45 Cable Extension Kit - 25 ft. with interconnect coupler #10-0059	\$ 110.00

#### Cable

77	12-1029	Petro-Net Wire (2-Conductor, 18AWG TFFN Twisted) - 1500 ft. (457 m) roll	\$ 1,005.00
----	---------	--	-------------

## PHOENIX SOFTWARE

Phoenix SQL Lite™ and Phoenix SQL™ are powerful data management and communications software packages designed to work specifically with both the FSC3000 and System2 FSC. With Phoenix Software you have the ability to reconcile fuel data between your fuel control system and OPW or third party automatic tank gauge system. (Note: The features are different for the K800 Phoenix versions. Refer to the product brochures for details.)

### SQL Lite Version

Item #	Part Number	Description	List Price
78	20-6180	Phoenix SQL Lite PC Based Software w/Support for OPW & 3rd Party ATGs (Please Provide End-User's Company Name, Contact Name, Phone Number and Email For Sending SQL Lite Download Link)	\$ 2,091.00

#### Installation and Startup Service (must be purchased with system)

79	20-6180-03	Factory-Direct Telephone Training for Phoenix SQL Lite	\$ 482.00
----	------------	--	-----------

### SQL Version

80	20-6162	Phoenix SQL Software Base Price (includes connection for 2 sites with Petro Vend Fuel Controls and OPW Gauges)	\$ 3,563.00
81	20-6162-XS	Price for each additional single site	\$ 317.00
82	20-6162-3RD	SQL version with connection to 3rd party gauges	\$ 964.00
83	20-6162-GM	Adds multi-level user security features	\$ 840.00
84	20-6150-TST*	Phoenix TEST Version	\$ 1,088.00

\*Commercial use of Phoenix TEST Version is expressly forbidden. Requires user sign-off.

#### Installation and Startup Service (must be purchased with system)

85	20-6150-06	Factory-direct telephone training service for Phoenix SQL with OPW or Third Party Tank Gauge and Phoenix SQL.	\$ 826.00
----	------------	---	-----------

**PC Hardware Requirements for Phoenix SQL: Windows PC (Windows XP, 2003 Server, 2008 Server, Vista and Windows 7) with 1.5 GHz or higher processor speed, 1 GB RAM, CD-ROM drive, 250 MB hard disk space.**

## Petro Vend FIT500 System - Sample Configuration

The following sample system configuration is for an unattended cardlock accepting Comdata cards, proprietary cards and bank cards . The site has two islands with two 2-hose mechanical dispensers. The FSC will be mounted inside the fuel island terminal out at the island. There is no building on the site but there is a phone line running to the FSC at the island. There will be 150 proprietary cards issued.

Qty	Part Number	Description	List Price	Extended List Price
1	20-4292	The FIT500 Internal FSC3000 Includes USB Transaction Storage, Standard Card Record Software, Downloadable Software, ARTWare Windows-Based Configuration Utility Software, Built-in 10base-T Ethernet Port, 8 Serial Communication Ports, Direct-Connect PC Cable, Petro-net Cable, Plug-in Memory Module with Transaction Memory Level 2 (500 Transactions) and Card Memory Level 2 (2000 cards), CD With System Documentation, Printed Installation Manual.	\$ 4,282.00	\$ 4,282.00
1	FIT500	The FIT500 features a Stainless Steel Cabinet and Pedestal, 10" Full Color Graphics Display with User Programmable Images, Four Stainless Steel Function Buttons, Stainless Steel Alpha & Numeric Keypads, Dual-head Card Reader, Thermostatically-Controlled Heater and Illuminated Front Panel.	\$ 7,800.00	\$ 7,800.00
2	20-4404-03	PCM Two hose master installation kit for FIT500	\$ 875.00	\$ 1,750.00
1	20-7078	Dial-out Modem for Network Authorization (includes 20-1517-01 cable)	\$ 620.00	\$ 620.00
1	SF027	Comdata Network	\$ 1,256.00	\$ 1,256.00
1	SF015	NBS Network (Processes Credit Cards, WEX, Voyager, M/C Fleet, Visa Fleet, Fleetcor cards including Fuelman, Gascard, & Fuelman dual-network cards)	\$ 2,047.00	\$ 2,047.00
150	54-1002-MAG	Blue Mag-stripe Card (please specify card range and network number)	\$ 2.00	\$ 300.00
150	54-1020-C	Standard Encoding for ChipKeys, Proximity Cards/Keys or Mag-stripe Cards by OPW (per device) Please specify card/key range and network number	\$ 2.00	\$ 300.00
1	20-6180	Phoenix SQL Lite PC Based Software w/Support for OPW & 3rd Party ATGs (Please Provide End-User's Company Name, Contact Name, Phone Number and Email For Sending SQL Lite Download Link)	\$ 2,091.00	\$ 2,091.00
1	20-6180-03	Factory-Direct Telephone Training for Phoenix SQL Lite	\$ 482.00	\$ 482.00
			<b>Total Price</b>	<b>\$ 20,928.00</b>

## Petro Vend FIT500™ Replacement Parts

Item #	Part Number	Description	List Price
86	07-0046	Modem Model 1023 Power Pack (33.6k and network)	\$ 35.00
87	07-3003	Power Supply 3"X5" 15V/2.7A	\$ 94.00
88	07-3004	Indoor Wireless Modem Power Supply	\$ 81.00
89	09-4030	Metal Function Keypad 4 Keys	\$ 85.00
90	09-4031	Metal Numeric Keypad 20 Keys	\$ 190.00
91	09-4032	Metal Alpha Keypad 27 Keys	\$ 236.00
92	13-0036	FIT500 Door Lock	\$ 48.00
93	13-0037	FIT500 Receipt Printer Door Lock	\$ 48.00
94	20-0371	FIT500 CPU Board	\$ 1,520.00
95	20-0374	RS485 Surge Suppressor Assembly	\$ 62.00
96	20-0386	FIT500 Display Converter Board	\$ 161.00
97	20-0612	Direct Pump Control (DPC)/Handle Monitor Board Assembly	\$ 930.00
98	20-0614	Direct Terminal Control (DTC) Board	\$ 915.00
99	20-1602	FIT500 Mag Card Reader Cable	\$ 52.00
100	20-1603	Keyboard Cable	\$ 47.00
101	20-1617	Main Wiring Harness	\$ 99.00
102	20-1618	FIT500 PCM Master LV Cable	\$ 62.00
103	20-4275	Power Supply Assembly	\$ 630.00
104	20-4276	Heater Assembly	\$ 325.00
105	20-4280	FIT500 Receipt Printer Option	\$ 1,820.00
106	20-4408	FIT500 Metal Keypad Upgrade Kit	\$ 760.00
107	20-4408-Loves	Loves FIT500 Metal Keypad Upgrade Kit	\$ 760.00
108	20-4408-Pilot	Pilot FIT500 Metal Keypad Upgrade Kit	\$ 760.00
109	20-4426	FIT500 LED Display Installation Kit	\$ 1,250.00
110	20-7075	Wireless Petro-Net Modem Assembly (Outdoor)	\$ 1,300.00
111	20-8225	Remote PCM cabinet with power supply - Holds one master/slave PCM pair	\$ 735.00
112	20-8233	FIT500 Pedestal	\$ 1,600.00
113	50-3141	FIT500 Display Filter	\$ 61.00
114	52-1093	Keypad Bezel	\$ 215.00
115	54-1106	Thermal Receipt Printer Paper	\$ 21.00
116	75-0098	Receipt Printer Mechanism	\$ 715.00
117	75-2037	FSC3000 Internal Modem	\$ 620.00
118	75-3022	PV100/FIT500 Dual Head Magnetic Card Reader	\$ 530.00
119	S03100	FIT500 Software Package	\$ 165.00

# Petro Vend FIT500™ Remanufactured Parts

## Explanation of Core Credit Return Pricing

- 1) **LIST PRICE** - The price paid by the customer when no exchange part is provided at the time of the transaction. It is also the value of the credit to be issued when a part is returned, under warranty, with appropriate documentation (tag or labeled shipping container).
- 2) **CORE VALUE** - The value of the credit to be issued when a non-warranty part is returned with appropriate documentation (tag or labeled shipping container)
- 3) **CORE REVISION (Core Rev.)** - The acceptable board revision code.
- 4) **WARRANTY** - 90 days from the date of installation of the part or for the remainder of the warranty life of the system.
- 5) **FREIGHT**: All freight, clearance and import costs are paid by customer.

Item #	Part Number	Description	List Price	Core Value
120	R20-0371	FIT 500 CPU Board	\$ 1,900.00	\$ 500.00
121	R20-0340-01	PCM2 - Hose Master (Core Rev.C)	\$ 855.00	\$ 200.00
122	R20-0340-02	PCM2 - Hose Slave (Core Rev.C)	\$ 697.00	\$ 150.00

## **TERMS**

Ex-works our facility, Hodgkins, Illinois, USA  
Installation not included  
All trade names are registered. Patents pending  
Subject to engineering improvement and/or change

PRICES SUBJECT TO CHANGE WITHOUT NOTICE

**OPW FUEL MANAGEMENT SYSTEMS** • 6900 Santa Fe Drive • Hodgkins, IL 60525 USA  
Phone (708) 485-4200 • Fax (708) 485-4630 • [www.opwglobal.com](http://www.opwglobal.com)



<b>Petro Vend Pulsers</b>			
Item #	Part Number	Description	List Price
1	400050	Model 50 Pulser	\$ 210.00
2	4000500	Model 500 Pulser	\$ 210.00
3	4500211	Short Shaft Extension (Model 500) (.75 inches)	\$ 21.00
4	4500212	Shaft Extension (Model 500) (1 inch)	\$ 22.00
5	4000500-12	Model 500 Pulser 12V	\$ 210.00
6	4000800F	Model 800-F Pulser	\$ 210.00
7	4000800F-12	Model 800-F Pulser - 12V	\$ 210.00
8	51-0291	Coupling For 500 Pulser	\$ 21.00

**TERMS**

Ex-works our facility, Hodgkins, Illinois, USA  
 Installation not included  
 All trade names are registered. Patents pending  
 Subject to engineering improvement and/or change

PRICES SUBJECT TO CHANGE WITHOUT NOTICE

**OPW FUEL MANAGEMENT SYSTEMS** • 6900 Santa Fe Drive • Hodgkins, IL 60525 USA  
 Phone (708) 485-4200 • Fax (708) 485-4630 • www.opwglobal.com

## Pulsers and Accessories at a glance

Model #	500	800-F	50
Part #	4000500	4000800-F	400050
Pulse Ratio	\$.01 / 1/10,1/100	1/10	1/10
101	■ / ■		
2001/2002	/ ■		
2002E	■ / ■		
VR10/4	■ / ■		
VR10	■ / ■		
Non-Computer	■		
Fill-Rite 800/900		■	
Tokheim/Gasboy 793/50			■
Veeder-Root 7886/7867 New Style			

■ Compatible

**ALL PULSERS MAY BE ORDERED FOR 220V, 50 Hz. OPERATION.**

### TERMS

Ex-works our facility, Hodgkins, Illinois, USA  
 Installation not included  
 All trade names are registered. Patents pending  
 Subject to engineering improvement and/or change

PRICES SUBJECT TO CHANGE WITHOUT NOTICE

**OPW FUEL MANAGEMENT SYSTEMS** • 6900 Santa Fe Drive • Hodgkins, IL 60525 USA  
 Phone (708) 485-4200 • Fax (708) 485-4630 • www.opwglobal.com

## Petro Vend FSC3000™ Replacement Parts

Item #	Part Number	Description	List Price
1	20-1517-01	External Modem Cable	\$ 68.00
2	20-1517-05	Journal Printer cable	\$ 68.00
3	20-1596	Cable Direct Pump Control	\$ 99.00
4	20-1613	Ethernet cable	\$ 40.00
5	20-4089	External FSC3000 Display Assembly	\$ 141.00
6	20-4089-01	Internal FSC3000 Display Assembly for C/OPT, FIT500 and K800 Hybrid Integrated Systems	\$ 141.00
7	20-4267	Pass-through Port/FSC to ATG Cable Kit	\$ 156.00
8	20-4270-02	Internal Modem Field Option	\$ 620.00
9	20-7073	Journal Printer (includes 20-1517-05 cable)	\$ 925.00
10	20-7078	Dial-out Modem for Network Authorization (includes 20-1517-01 cable)	\$ 620.00
11	48-0209	Battery, 3V, 500MA	\$ 70.00
12	20-1520-01	PC-CRT Cable for FSC3000	\$ 133.00
13	75-0150	USB Key for FSC3000 (Require Serial Number of SIMM Card)	\$ 60.00
14	20-1443	Petro-Net Cable (connects FSC or Model 3 to Petro-Net Communications Junction Box Cover)	\$ 136.00
15	07-3004	Indoor Wireless Modem Power Supply	\$ 81.00
16	75-2030	USB-to-Serial Port PC Converter	\$ 64.00
17	20-8225	Remote PCM cabinet with power supply - Holds one master/slave PCM pair	\$ 735.00
18	75-2037	FSC3000 Internal Modem	\$ 620.00

## Petro Vend FSC3000™ Remanufactured Parts

### Explanation of Core Credit Return Pricing

- 1) **LIST PRICE** - The price paid by the customer when no exchange part is provided at the time of the transaction. It is also the value of the credit to be issued when a part is returned, under warranty, with appropriate documentation (tag or labeled shipping container).
- 2) **CORE VALUE** - The value of the credit to be issued when a non-warranty part is returned with appropriate documentation (tag or labeled shipping container)
- 3) **CORE REVISION (Core Rev.)** - The acceptable board revision code.
- 4) **WARRANTY** - 90 days from the date of installation of the part or for the remainder of the warranty life of the system.
- 5) **FREIGHT**: All freight, clearance and import costs are paid by customer.

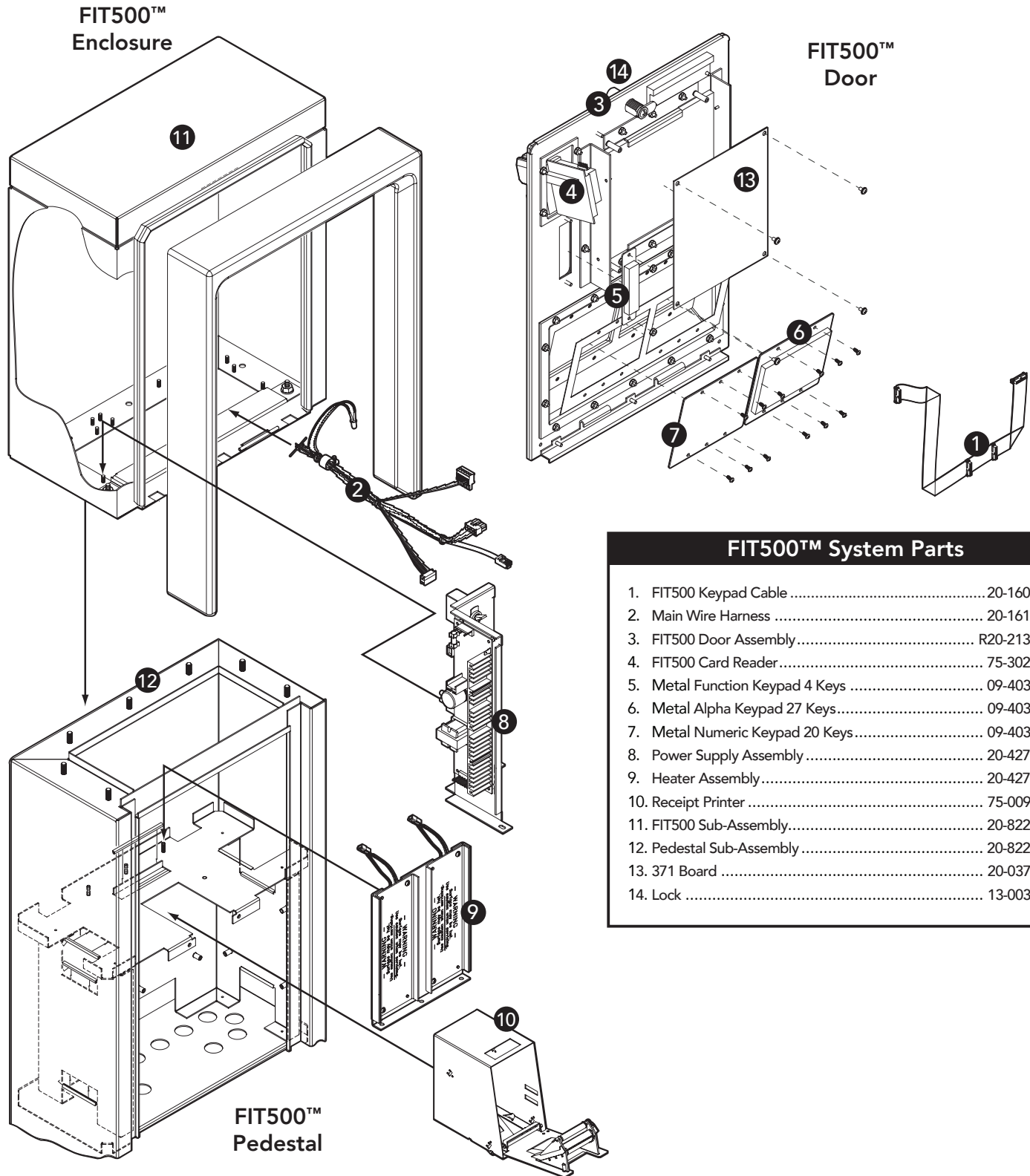
Item #	Part Number	Description	List Price	Core Value
19	R20-0380	FSC3000 Fuel Site Controller main board (Core Rev.C)	\$ 1,425.00	\$ 250.00
20	R20-0381-03	FSC3000 SIMM Card (Specify FSC Serial # For Options)	\$ 3,955.00	\$ 2,200.00
21	R20-8038	Universal Pump Controller	\$ 1,950.00	\$ 350.00

### TERMS

Ex-works our facility, Hodgkins, Illinois, USA  
Installation not included  
All trade names are registered. Patents pending  
Subject to engineering improvement and/or change

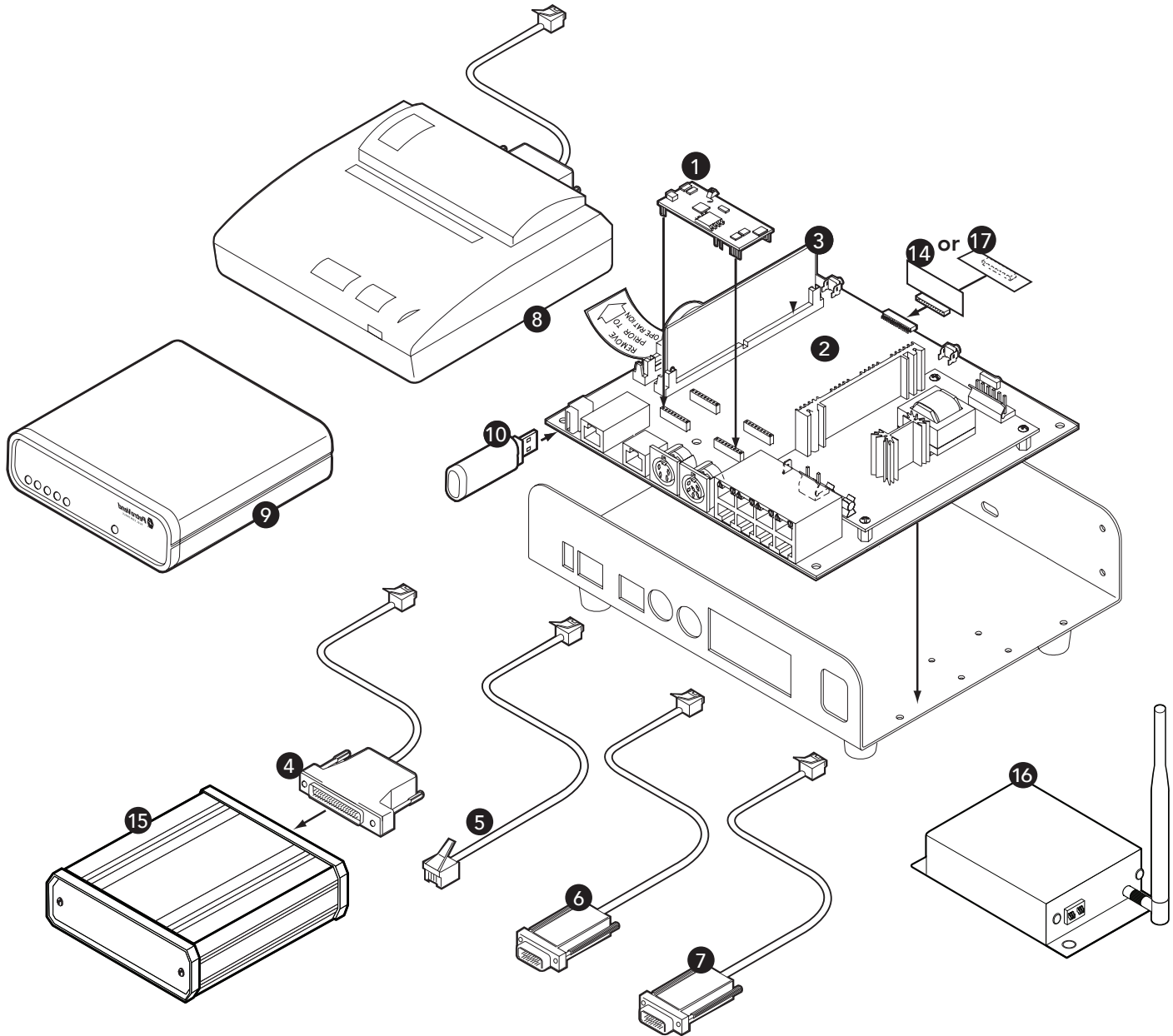
PRICES SUBJECT TO CHANGE WITHOUT NOTICE

**OPW FUEL MANAGEMENT SYSTEMS** • 6900 Santa Fe Drive • Hodgkins, IL 60525 USA  
Phone (708) 485-4200 • Fax (708) 485-4630 • www.opwglobal.com



FIT500™ System Parts	
1. FIT500 Keypad Cable .....	20-1603
2. Main Wire Harness .....	20-1617
3. FIT500 Door Assembly.....	R20-2130
4. FIT500 Card Reader.....	75-3022
5. Metal Function Keypad 4 Keys .....	09-4030
6. Metal Alpha Keypad 27 Keys.....	09-4032
7. Metal Numeric Keypad 20 Keys.....	09-4031
8. Power Supply Assembly .....	20-4275
9. Heater Assembly.....	20-4276
10. Receipt Printer .....	75-0098
11. FIT500 Sub-Assembly.....	20-8227
12. Pedestal Sub-Assembly .....	20-8228
13. 371 Board .....	20-0371
14. Lock .....	13-0036

# FSC3000™ Fuel Site Controller



FSC3000™  
Fuel Site Controller

## FSC3000™ Fuel Site Controller Parts

1. FSC3000 Internal Modem .....	75-2037
2. FSC3000 Main Board .....	R20-0380
3. FSC3000 SIMM Module .....	R20-0381-03*
4. Cable FSC3000 Printer .....	20-1517-05
5. Ethernet Cable RJ45 to RJ45 .....	20-1613
6. Network Modem Cable .....	20-1517-01
7. PC/CRT Cable .....	20-1520-01
8. Journal Printer with Cable .....	20-7073
9. Network Modem .....	20-7078
10. FSC to Tank Gauge Cable Kit (not shown) (consists of 20-1613, 20-1614 and 20-1615) .....	20-4267
11. FSC3K ARTWare Config. Software (not shown) .....	S030300
12. FSC3000 Installation Manual (not shown) .....	M1700
13. USB Key .....	75-0108
14. Display Assy. External FSC 3000 .....	20-4089
15. Compact Flash Transaction Recorder .....	20-7083
16. Indoor Wireless Modem .....	75-2047
17. Internal FSC3000 Display .....	20-4089-01

\* Requires configuration



# Petro Vend K800 Fuel Control System

Price List Effective March 1, 2017

TABLE OF CONTENTS	
Topic	Page #
Petro Vend K800 Fuel Control System	47
Phoenix - PC Software	48
Petro Vend K800 System - Sample Configuration	48-49
Petro Vend K800 Replacement Parts	49-51
Petro Vend K800 Remanufactured Parts	51
Petro Vend Pulsers	52
Petro Vend Pulsers and Accessories at a Glance	53
Exploded View of K800 FSC	54
Exploded View of K800 FIT	55

## Petro Vend K800™ Fuel Control System

Each K800 System Includes Fuel Island Terminal (FIT- with choice of Magnetic Stripe Card Reader or ChipKey Reader), Fuel Site Controller (FSC), Journal Printer, Pedestal, Heater and Petro-Net Communication Box Cover. Dual Cardless/Keyless Software Is Now Standard

### K800 Basic System

Item #	Part Number	Description	List Price
1	K800-2	2-Hose System	\$ 6,610.00
2	K800-4	4-Hose System	\$ 7,360.00
3	Allow-PRN	If you do not require a printer deduct	\$ (332.00)
4	Allow-PED	If you do not require a pedestal deduct	\$ (112.00)

#### Options

5	K800-FIT-0	Fuel Island Terminal (FIT) (includes, 2X16 LCD display, heater, pedestal and choice of ChipKey or Magnetic Stripe Card Readers) (Must Specify Reader When Ordered)	\$ 2,885.00
6	K800-FIT-2	Fuel Island Terminal (FIT) 2-Hose (includes 2-Hose Pump Control, 2X16 LCD display, heater, pedestal and choice of ChipKey or Magnetic Stripe Card Readers) (Must Specify Reader When Ordered)	\$ 3,580.00
7	K800-FIT-4	Fuel Island Terminal (FIT) 4-Hose (includes 4-Hose Pump Control, 2X16 LCD display, heater, pedestal and choice of ChipKey or Magnetic Stripe Card Readers) (Must Specify Reader When Ordered)	\$ 4,275.00
8	20-4124	Pocket Weathershield	\$ 89.00
9	CKMR	ChipKey Mileage Reasonability	\$ 605.00
10	20-4268	Voltage-to-Current Sense Converter Module (required for dispensers with little or no current draw)	\$ 52.00
11	20-7083**	Compact Flash Transaction Recorder	\$ 1,445.00

#### Communication Options

12	20-1445	Modem Cable	\$ 136.00
13	20-1449	Modem Eliminator Cable (required for direct PC connections when using Phoenix, Phoenix Plus or Phoenix Premier software packages)	\$ 136.00
14	20-1478	PC/CRT Cable	\$ 136.00
15	20-8048	K800 External Dial-in Modem (includes 20-1445 cable)	\$ 625.00
16	20-7081	Lantronix UDS-10 Serial-to-Ethernet Connectivity for K800 (includes 20-1445 Cable)	\$ 910.00
17	75-2030	USB-to-Serial Port PC Converter	\$ 64.00

#### Wireless Communication Options

18	20-7079	Wireless PetroNet Kit - Includes 1 indoor modem assembly, 1 outdoor modem assembly, 2 directional antennas with 20 foot antenna cables.	\$ 1,690.00
----	---------	---	-------------

#### Encoders

19	20-8039	ChipKey Encoder	\$ 995.00
20	20-7053	Magnetic Card Encoder	\$ 1,550.00

#### Cards/Keys

21	20-4120	ChipKey	\$ 6.00
22	54-1002-MAG	Blue Mag-stripe Card (please specify card range and network number)	\$ 2.00
23	54-1005-MAG	White Mag-Stripe Card	\$ 2.00
24	54-100X-MAG	Non Standard Mag-stripe Cards (X specifies color: 3-Green, 4-Yellow, 6-Tan)	\$ 5.00
25	54-1020-C	Standard Encoding for ChipKeys, Proximity Cards/Keys or Mag-stripe Cards by OPW (per device) Please specify card/key range and network number	\$ 2.00
26	54-1008	Vehicle Card Pocket for Each (Quantities of 100 Only)	\$ 2.00
27	54-1014	Protective Card Pocket for Each (Quantities of 100 Only)	\$ 2.00
28	54-1015	Safe Card Envelope for Each (Quantities of 100 Only)	\$ 2.00

**Pulsers** - See Pulser Price List

\*\* Journal Printer is not required when ordering this item.

## Phoenix - PC Software for the K800™

\*\*\*Phoenix Plus™ and Phoenix Premier™ for Windows are powerful data management and communications software packages designed to work specifically with both the Petro Vend K800 and System2 Fuel Control Systems. Now with Phoenix Premier™ you have the ability to reconcile fuel data between your fuel control system and OPW or third party automatic tank gauge system. (Note: The features are different for the K800 and System2 Phoenix versions. Refer to the product brochures for details. These versions of Phoenix Software are only compatible with Windows 7 and previous versions. This software is not compatible with Windows 8 or 10.)

29	20-6147	(B) K800 Phoenix Plus (adds auto-poll multi-site reports, ASCII file format)	\$ 1,495.00
30	20-6154	(C) K800 Phoenix Premier for Windows (adds reconciliation with OPW tank gauge system) Includes 20-4267 Cable Kit	\$ 2,995.00
31	20-6155	(D) K800 Phoenix Premier (adds reconciliation with OPW and third party tank gauge systems) Includes 20-4267 Cable Kit	\$ 4,095.00
32	20-6147-0	Upgrade from B to C	\$ 1,795.00
33	20-6147-3	Upgrade from B to D	\$ 2,795.00
34	20-6147-023	Upgrade from C to D	\$ 1,395.00

### Special Deductions for Recently Purchased Software

35	90 Day Upgrade	If you have purchased your existing Phoenix product within the last 90 days you may deduct from the above prices	\$ (283.92)
----	----------------	--	-------------

### Phoenix Replacement Disk Pricing

36	20-6147-U	K800 Phoenix Plus Upgrade	\$ 395.00
37	20-6154-U	K800 Phoenix Premier for Windows Replacement Disk (adds reconciliation with OPW tank gauge system)	\$ 395.00
38	20-6155-U	K800 Phoenix Premier Replacement Disk (adds reconciliation with OPW and third party tank gauge systems)	\$ 395.00

### Installation and Startup Service (must be purchased with system)

39	20-6150-03	Factory-direct telephone training service for Phoenix Plus	\$ 482.00
40	20-6150-04	Factory-direct telephone training service for Phoenix Premier with OPW or Third Party Tank Gauge	\$ 588.00

### Related Items

41	20-6150-01	Phoenix Plus DEMO (can be used with K800, K800 Hybrid, C/OPT or FIT500)	\$ -
42	20-4267	Pass-through Port/FSC to ATG Cable Kit	\$ 156.00
43	20-1533	RJ45 Cable Extension Kit - 25 ft. with interconnect coupler #10-0059	\$ 110.00

**PC Hardware Requirements for Phoenix for Windows: Pentium II processor, 500 Mhz or higher, 128MB RAM, 250MB minimum hard drive space, CD-ROM drive, Windows® ('98, 2000, XP) (larger databases will require a more powerful PC) ALL UPGRADES (except the Hybrid) ARE DOWNLOADABLE FROM THE OPW FUEL MANAGEMENT SYSTEMS WEB SITE (OPWFMS.COM).**

## Petro Vend K800™ System - Sample Configuration

The following sample system configuration is for a small municipality with a single site. The site has a 2-hose mechanical dispenser and 100 vehicles. The FSC will be directly connected to an on-site PC. The municipality wants to use ChipKeys to ensure accurate mileage entries and provide drivers with warnings when vehicle maintenance is due. A spare conduit is available to run PetroNET communications wiring from the FSC to the FIT.

Qty	Part Number	Description	List Price	Extended List Price
1	K800-2	2-Hose System	\$ 6,610.00	\$ 6,610.00
1		Chipkey Reader	Included	\$ -
1	20-4124	Pocket Weathershield	\$ 89.00	\$ 89.00
1	20-1449	Modem Eliminator Cable (required for direct PC connections when using Phoenix, Phoenix Plus or Phoenix Premier software packages)	\$ 136.00	\$ 136.00
1	CKMR	ChipKey Mileage Reasonability	\$ 605.00	\$ 605.00
100	20-4120	ChipKey	\$ 6.00	\$ 600.00
1	20-8039	ChipKey Encoder	\$ 995.00	\$ 995.00
1	20-6147	(B) K800 Phoenix Plus (adds auto-poll multi-site reports, ASCII file format)	\$ 1,495.00	\$ 1,495.00
1	20-6150-03	Factory-direct telephone training service for Phoenix Plus	\$ 482.00	\$ 482.00
			<b>Total Price</b>	<b>\$ 11,012.00</b>



## Petro Vend K800™ System - Sample Configuration

The following sample system configuration is for a soft drink distributor with a single site. The site has a 4-hose mechanical dispenser and 250 vehicles. The FSC will be directly connected to a PC via a LAN. The soft drink distributor also wants to use ChipKeys to ensure accurate mileage entries and provide drivers with warnings when vehicle maintenance is due. A spare conduit is available to run Petro-Net communications wiring from the FSC to the FIT.

Qty	Part Number	Description	List Price	Extended List Price
1	K800-4	4-Hose System	\$ 7,360.00	\$ 7,360.00
1		Chipkey Reader	Included	\$ -
1	20-4124	Pocket Weathershield	\$ 89.00	\$ 89.00
1	20-7081	Lantronix UDS-10 Serial-to-Ethernet Connectivity for K800 (includes 20-1445 Cable)	\$ 910.00	\$ 910.00
1	CKMR	ChipKey Mileage Reasonability	\$ 605.00	\$ 605.00
250	20-4120	ChipKey	\$ 6.00	\$ 1,500.00
1	20-8039	ChipKey Encoder	\$ 995.00	\$ 995.00
1	20-6147	(B) K800 Phoenix Plus (adds auto-poll multi-site reports, ASCII file format)	\$ 1,495.00	\$ 1,495.00
1	20-6150-03	Factory-direct telephone training service for Phoenix Plus	\$ 482.00	\$ 482.00
			<b>Total Price</b>	<b>\$ 13,436.00</b>

## Petro Vend K800™ Replacement Parts

Item #	Part Number	Description	List Price
44	02-4001	Corcom Filter	\$ 71.00
45	02-4002	Noise Suppressor	\$ 22.00
46	06-0015	Heater Relay	\$ 25.00
47	07-0035	120V A.C. Fuel Site Controller Transformer (12 Volt DC)	\$ 95.00
48	07-0036	240V A.C. Fuel Site Controller Transformer (12 Volt DC)	\$ 100.00
49	07-0046	Modem Model 1023 Power Pack (33.6k and network)	\$ 35.00
50	07-0056	Indoor Wireless Modem Power Supply	\$ 39.00
51	09-0007	Fuel Island Terminal Power Switch	\$ 33.00
52	09-4007-R	Keypad Rubber Contact Pad for 20-4136 Keypad	\$ 99.00
53	12-1029	Petro-Net Wire (2-Conductor, 18AWG TFFN Twisted) - 1500 ft. (457 m) roll	\$ 1,005.00
54	12-3038	Wireless Modem Antenna Cable Assembly - 20 foot antenna with bulkhead connector for 6 inch antenna	\$ 190.00
55	12-3039	Wireless Modem Antenna Cable - 20 foot antenna for 15 inch antenna (Omni)	\$ 190.00
56	12-3040	Wireless Modem Antenna Cable Assembly - 1 foot antenna with bulkhead connector for 6 inch antenna	\$ 132.00
57	13-0017-R	Replacement Key (2 key minimum; allow 2 weeks for delivery)	\$ 36.00
58	13-0017-C	Emergency Duplicate Key (Specify 3-letter prefix and number)	\$ 61.00
59	20-0219	PV241 K800 Display Assembly	\$ 290.00
60	20-0223	KR10 Adapter Board	\$ 190.00
61	20-1441	Fuel Island Terminal Main Cable	\$ 136.00
62	20-1441-FJ	K800 FIT Flying J Main Cable	\$ 136.00
63	20-1442	PV247 to PV240 Cable (FIT board to relay board)	\$ 73.00
64	20-1443	Petro-Net Cable (connects FSC or Model 3 to Petro-Net Communications Junction Box Cover)	\$ 136.00
65	20-1445	Modem Cable	\$ 136.00
66	20-1446	Power Wire Harness	\$ 63.00
67	20-1447	PV247 to Heater Relay Cable	\$ 35.00
68	20-1449	Modem Eliminator Cable (required for direct PC connections when using Phoenix, Phoenix Plus or Phoenix Premier software packages)	\$ 136.00
69	20-1478	PC/CRT Cable	\$ 136.00
70	20-1512	Printer Cable (for systems with PV249 Fuel Site Controller Boards)	\$ 136.00
71	20-1608	Wireless Modem PetroNET Connector Assembly	\$ 61.00
72	20-1619	Cable K800 Hybrid Proximity Reader	\$ 78.00
73	20-1651	Compact Flash Transaction Recorder Cable	\$ 136.00
74	20-2123-P	Replacement Fuel Island Terminal Door Assembly	\$ 615.00
75	20-4007	Enclosure Lock with Lock Bar	\$ 44.00
76	20-4117	ChipKey Reader Assembly	\$ 315.00

## Petro Vend K800™ Replacement Parts (cont.)

Item #	Part Number	Description	List Price
77	20-4124	Pocket Weathershield	\$ 89.00
78	20-4136	Keypad Assembly	\$ 288.00
79	20-4137	Pedestal	\$ 615.00
80	20-4138	115V Heater Assembly	\$ 185.00
81	20-4138-230	230V Heater Assembly	\$ 185.00
82	20-4139	Magnetic Card Reader Conversion Kit	\$ 635.00
83	20-4141	ChipKey Reader Option Conversion Kit	\$ 635.00
84	20-4144	K800 2-Hose Expansion Kit	\$ 750.00
85	20-4268	Voltage-to-Current Sense Converter Module (required for dispensers with little or no current draw)	\$ 52.00
86	20-5017	Emergency Stop Button Assembly	\$ 67.00
87	20-5023	110V Fuel Island Terminal Transformer Assembly	\$ 165.00
88	20-5023-230	230V Fuel Island Terminal Transformer Assembly	\$ 165.00
89	20-5025	Fuel Site Controller (FSC) Battery	\$ 54.00
90	20-7048	Office Journal Printer (specify Interface for PV249 Fuel Site Controller Boards)	\$ 925.00
91	20-7053	Magnetic Card Encoder	\$ 1,550.00
92	20-7074	Wireless Petro-Net Modem Assembly (Indoor)	\$ 1,240.00
93	20-7075	Wireless Petro-Net Modem Assembly (Outdoor)	\$ 1,300.00
94	20-7079	Wireless PetroNet Kit - Includes 1 indoor modem assembly, 1 outdoor modem assembly, 2 directional antennas with 20 foot antenna cables.	\$ 1,690.00
95	20-7081	Lantronix UDS-10 Serial-to-Ethernet Connectivity for K800 (includes 20-1445 Cable)	\$ 910.00
96	20-7083	Compact Flash Transaction Recorder	\$ 1,445.00
97	20-8035	RS-422 PetroNet Junction Box Cover	\$ 136.00
98	20-8039	ChipKey Encoder	\$ 995.00
99	20-8047	Replacement K800 FSC C/W-FSC Software (Network Number required)	\$ 2,960.00
100	20-8048	K800 External Dial-in Modem (includes 20-1445 cable)	\$ 625.00
101	50-0137	Chip Key Reader Clip	\$ 10.00
102	50-2015	Fuel Island Terminal Pocket Gasket Tape (1/16" x 3/4") - Price Per Foot	\$ 6.00
103	50-2096	Fuel Island Terminal Door Weather-stripping - Price Per Foot	\$ 6.00
104	50-2097	Fuel Island Terminal Door Weather-stripping - Price Per Foot	\$ 6.00
105	50-3064	Lexan Display Filter	\$ 40.00
106	50-3152	Mounting Track for Converter	\$ 20.00
107	52-0045	K800 Enclosure Cabinet	\$ 435.00
108	52-0047	Fuel Site Controller Cover	\$ 50.00
109	52-1071	K800 Door Overlay	\$ 208.00
110	52-1072	Fuel Island Terminal Card/ChipKey Pocket	\$ 120.00
111	52-1072-1	ChipKey Adapter Plate	\$ 40.00
112	52-1072-2	Magnetic Card Reader Adapter Plate (for systems with PDI 213 Magnetic Card Readers)	\$ 61.00
113	52-1072-3	Optical Card Reader Adapter Plate	\$ 50.00
114	52-1072-5	Magnetic Card Reader Adapter Plate (for systems with PDI 211 Magnetic Card Readers)	\$ 30.00
115	52-1072-6	Pocket adapter plate K800 Hybrid	\$ 46.00
116	54-0404	"Place Card" Label for proximity readers	\$ 7.00
117	75-0102	Compact Flash Card for Data Recorder	\$ 63.00
118	75-1011	Epson External Printer Ribbon	\$ 23.00
119	75-2039	Wireless Modem Antenna - 15" High Gain (Omni)	\$ 545.00
120	75-2044	High Gain Antenna Kit for SiteSentinel iSite Wireless Option	\$ 245.00
121	75-2047	Wireless Replacement Modem (specify indoor or outdoor)	\$ 842.00
122	75-2051	Compact Flash Transaction Recorder	\$ 1,255.00
123	75-2051-01	Compact Flash Transaction Recorder Power Supply	\$ 150.00
124	75-3006	Magnetic Card Reader	\$ 485.00
125	S08101	K800 Std FSC Software (Network # Required)	\$ 177.00
126	S08101-CKMR	K800 Std FSC Replacement Software - CKMR Enabled (Network Number Required)	\$ 165.00
127	S08101-CKMRU	K800 ChipKey Mileage Reasonability Field Upgrade	\$ 615.00

## Petro Vend K800™ Replacement Parts (cont.)

Item #	Part Number	Description	List Price
128	S08104	K800 Std FSC Spanish Software (Network # Required)	\$ 177.00
129	S08501	K800 Std FIT Software (Dual Cardless/Keyless)	\$ 177.00
130	S08504	K800 Std FIT Spanish Software (Dual Cardless/Keyless)	\$ 177.00

## Petro Vend K800™ Remanufactured Parts

### Explanation of Core Credit Return Pricing

**1) LIST PRICE** - The price paid by the customer when no exchange part is provided at the time of the transaction. It is also the value of the credit to be issued when a part is returned, under warranty, with appropriate documentation (tag or labeled shipping container).

**2) CORE VALUE** - The value of the credit to be issued when a non-warranty part is returned with appropriate documentation (tag or labeled shipping container)

**3) CORE REVISION (Core Rev.)** - The acceptable board revision code.

**4) WARRANTY** - 90 days from the date of installation of the part or for the remainder of the warranty life of the system.

**5) FREIGHT:** All freight, clearance and import costs are paid by customer.

Item #	Part Number	Description	List Price	Core Value
131	R20-0218	PV240 Pump Relay Board (Core Rev.C)	\$ 985.00	\$ 150.00
132	R20-0222	PV247 Fuel Island Terminal Board (Core Rev.E)	\$ 2,935.00	\$ 1,200.00
133	R20-0249	PV249 FSC Board (Core Rev. A1)	\$ 2,515.00	\$ 1,100.00

### TERMS

Ex-works our facility, Hodgkins, Illinois, USA

Installation not included

All trade names are registered. Patents pending

Subject to engineering improvement and/or change

PRICES SUBJECT TO CHANGE WITHOUT NOTICE

**OPW FUEL MANAGEMENT SYSTEMS • 6900 Santa Fe Drive • Hodgkins, IL 60525 USA**

Phone (708) 485-4200 • Fax (708) 485-4630 • [www.opwglobal.com](http://www.opwglobal.com)

<b>Petro Vend Pulsers</b>			
<b>Item #</b>	<b>Part Number</b>	<b>Description</b>	<b>List Price</b>
1	400050	Model 50 Pulser	\$ 210.00
2	4000500	Model 500 Pulser	\$ 210.00
3	4500211	Short Shaft Extension (Model 500) (.75 inches)	\$ 21.00
4	4500212	Shaft Extension (Model 500) (1 inch)	\$ 22.00
5	4000500-12	Model 500 Pulser 12V	\$ 210.00
6	4000800F	Model 800-F Pulser	\$ 210.00
7	4000800F-12	Model 800-F Pulser - 12V	\$ 210.00
8	51-0291	Coupling For 500 Pulser	\$ 21.00

**TERMS**

Ex-works our facility, Hodgkins, Illinois, USA  
 Installation not included  
 All trade names are registered. Patents pending  
 Subject to engineering improvement and/or change

PRICES SUBJECT TO CHANGE WITHOUT NOTICE

**OPW FUEL MANAGEMENT SYSTEMS** • 6900 Santa Fe Drive • Hodgkins, IL 60525 USA  
 Phone (708) 485-4200 • Fax (708) 485-4630 • www.opwglobal.com

## Pulsers and Accessories at a glance

Model #	500	800-F	50
Part #	4000500	4000800-F	400050
Pulse Ratio	\$.01 / 1/10,1/100	1/10	1/10
101	■ / ■		
2001/2002	/ ■		
2002E	■ / ■		
VR10/4	■ / ■		
VR10	■ / ■		
Non-Computer	■		
Fill-Rite 800/900		■	
Tokheim/Gasboy 793/50			■
Veeder-Root 7886/7867 New Style			

■ Compatible

**ALL PULSERS MAY BE ORDERED FOR 220V, 50 Hz. OPERATION.**

### TERMS

Ex-works our facility, Hodgkins, Illinois, USA

Installation not included

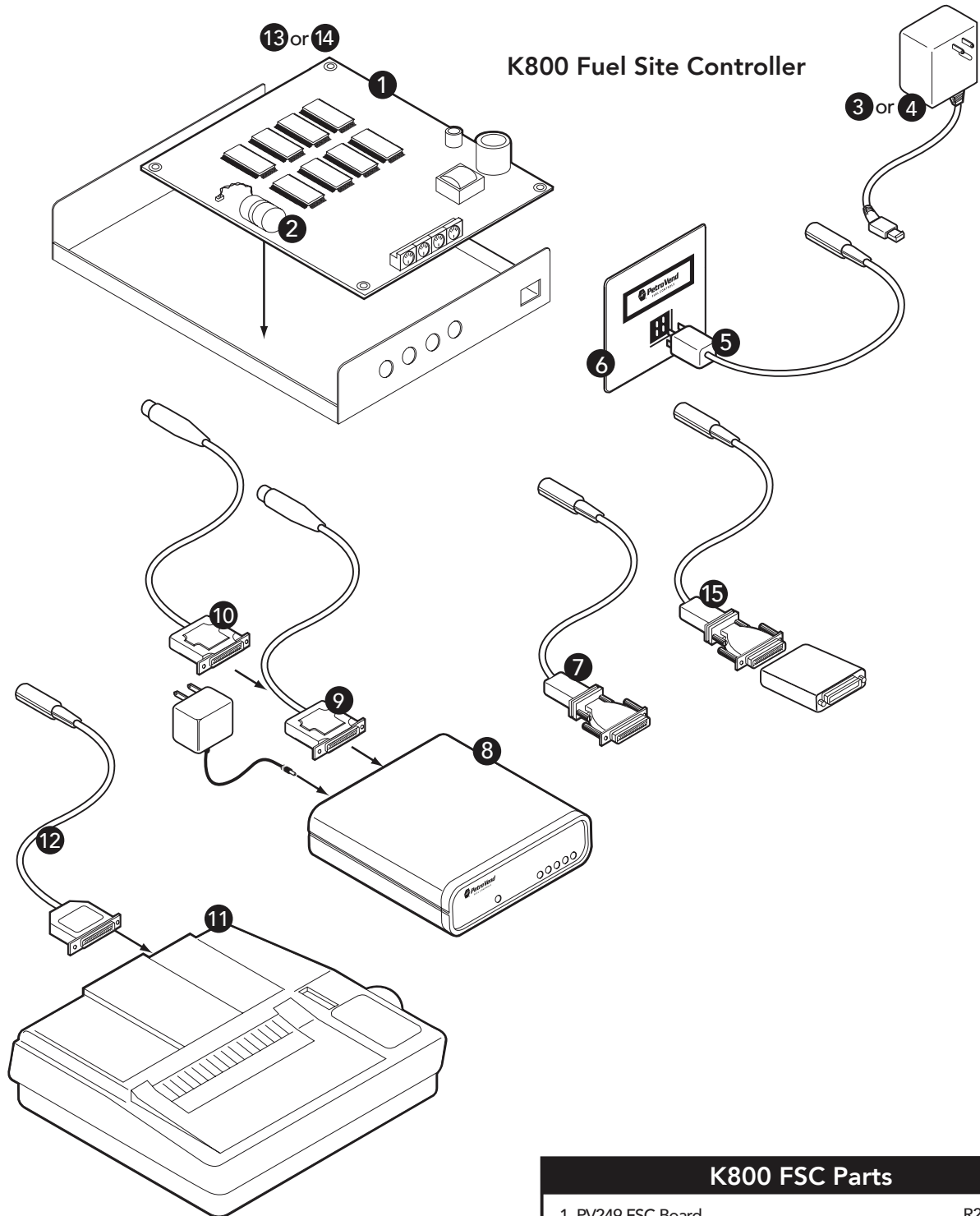
All trade names are registered. Patents pending

Subject to engineering improvement and/or change

PRICES SUBJECT TO CHANGE WITHOUT NOTICE

**OPW FUEL MANAGEMENT SYSTEMS** • 6900 Santa Fe Drive • Hodgkins, IL 60525 USA  
 Phone (708) 485-4200 • Fax (708) 485-4630 • www.opwglobal.com

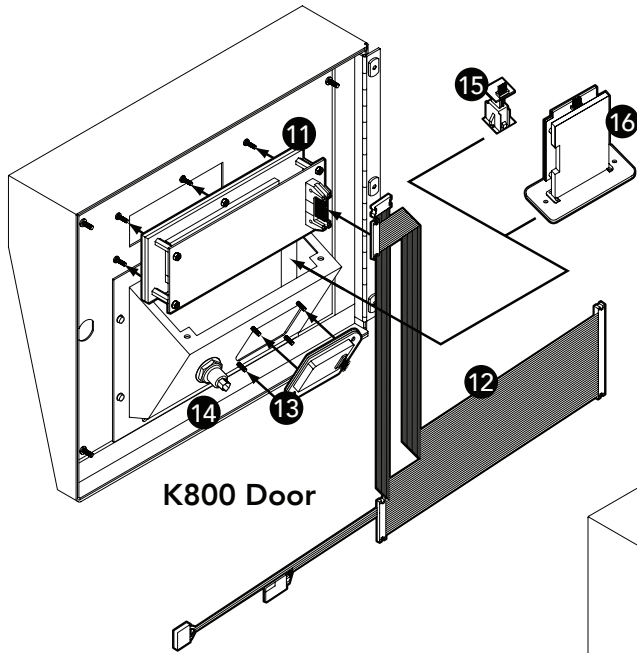
# K800™ Fuel Site Controller



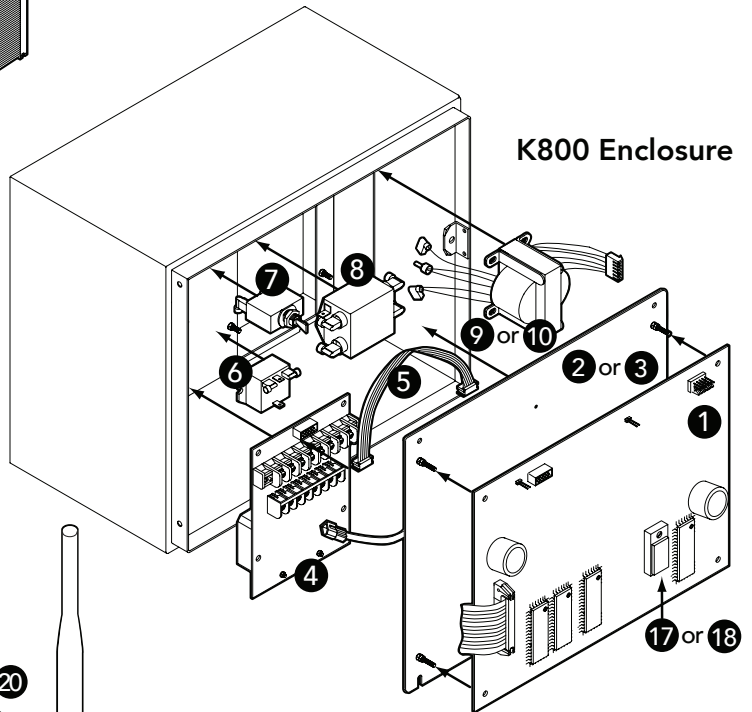
K800 Fuel Site Controller

K800 FSC Parts	
1. PV249 FSC Board.....	R20-0249
2. Fuel Site Controller (FSC) Battery.....	20-5025
3. 120V A.C. Fuel Site Controller Transformer.....	07-0035
4. 240V A.C. Fuel Site Controller Transformer.....	07-0036
5. Petro-Net™ Cable.....	20-1443
6. RS-422 Junction Box Cover.....	20-8035
7. PC/CRT Cable.....	20-1478
8. 1200/2400 Baud External Modem.....	20-8048
9. Modem Cable.....	20-1445
10. Direct Connect Phoenix Cable.....	20-1449
11. Office Journal Printer.....	20-7048
12. Printer Cable (PV249 Fuel Site Controller Boards).....	20-1512
13. K800 Standard FSC Software.....	S08101
14. K800 Standard FSC Software (Spanish).....	S08104
15. 10 Base-T Adaptor.....	20-7081

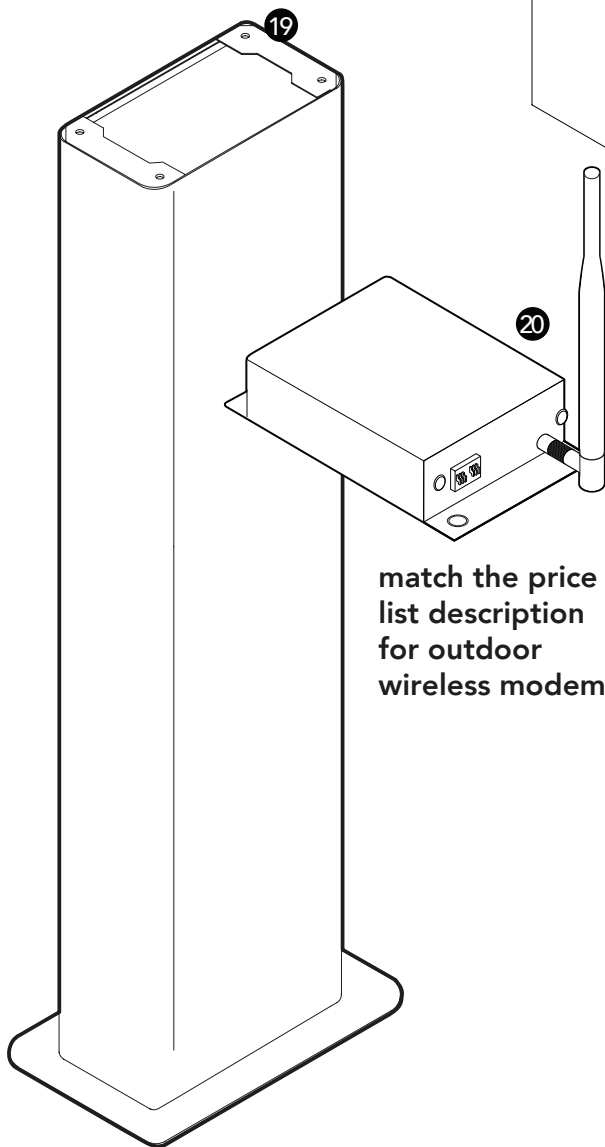
# K800™ FIT



K800 Door



K800 Enclosure



match the price list description for outdoor wireless modem

## K800 FIT Parts

1. PV247 Fuel Island Terminal Board.....	R20-0222
2. 115V Heater Assembly .....	20-4138
3. 230V Heater Assembly .....	20-4138-230
4. PV240 Pump Relay Board .....	R20-0218
5. PV247 to PV240 Cable.....	20-1442
6. Heater Relay.....	06-0015
7. Fuel Island Terminal Power Switch.....	09-0007
8. Corcom Filter .....	02-4001
9. 110V Fuel Island Terminal Transformer Assembly .....	20-5023
10. 230V Fuel Island Terminal Transformer Assembly .....	20-5023-230
11. PV241 K800 Display Assembly.....	20-0219
12. Fuel Island Terminal Main Cable .....	20-1441
13. Keypad Assembly.....	20-4136
14. Emergency Stop Button .....	20-5017
15. ChipKey® Reader Assembly.....	20-4117
16. Magnetic Cardreader.....	75-3006
17. K800 FIT Software .....	S08501
18. K800 FIT Software Spanish.....	S08504
19. K800 Pedestal .....	20-4137
20. Modem for Additional FITs .....	20-7075



# Petro Vend AFC Fuel Control System

Price List Effective March 1, 2017

TABLE OF CONTENTS	
Topic	Page #
Petro Vend AFC Basic System	57
Petro Vend AFC System - Sample Configuration	57
Petro Vend AFC Replacement Parts	58
Petro Vend AFC Remanufactured Return Parts	59
Petro Vend Pulsers	60
Petro Vend Pulsers and Accessories at a Glance	61
Exploded View of AFC	62



## Petro Vend AFC System

Each **Petro Vend AFC** system includes a DuraKey Reader, Transaction Printer, 48" Pedestal, AFC Administrator Software and PC interface. Standard features include Mileage Reasonability, DuraKey Capacity, Lockouts, Remote Programming, Tank-Low Alarms, Maintenance Alerts, and a Local Access Kit.

### AFC Basic System

Item #	Part Number	Description	List Price
1	AFC1002	AFC System - 2 Hose	\$ 6,815.00
2	AFC1004	AFC System - 4 Hose	\$ 7,320.00

#### Optional Equipment

3	9000509	Encoded Vehicle Card - Specify network number and card number range	\$ 6.00
4	9000900	DuraKey (Blank)	\$ 12.00
5	9000901	Encoded Vehicle DuraKey (Programmed)	\$ 14.00
6	AFC2025	Magnetic Card Reader	\$ 480.00
7	AFC2030	DuraKey Encoder - Model AFC	\$ 1,390.00
8	75-2030	USB-to-Serial Port PC Converter	\$ 64.00
9	AFC2020	Remote Communication Adapter (External Modem)	\$ 620.00
10	AFC2021	Remote Communications Adapter (Internal Modem)	\$ 620.00
11	20-6150-05	Factory-direct telephone training service (AFC Administrator software)	\$ 495.00
12	AFC-PRN-DED	If you do not require an AFC Printer deduct	\$ (93.60)
13	AFC-PED-DED	If you do not require an AFC Pedestal	\$ (52.00)

#### Upgrades

14	025-131	AFC Printer/PC Adapter Firmware	\$ 165.00
15	AFC2010-3.7	AFC CPU Firmware/Administrator Upgrade	\$ 440.00

#### Cable

16	12-1029	Petro-Net Wire (2-Conductor, 18AWG TFFN Twisted) - 1500 ft. (457 m) roll	\$ 1,005.00
----	---------	--	-------------

Pulsers: See Pulser Price List

## PetroVend AFC System - Sample Configuration

The following sample system configuration is for a small municipality with a single site. The site has a 2-hose mechanical dispenser and 100 vehicles. The system will be connected to a PC via phone modems. There is no accessible building on the site. The municipality also wants the Local Access Kit option so a laptop can be connected to the AFC at the site for programming.

Qty	Part Number	Description	List Price	Extended Price
1	AFC1002	AFC System - 2 Hose	\$ 6,815.00	\$ 6,815.00
100	9000901	Encoded Vehicle DuraKey (Programmed)	\$ 14.00	\$ 1,400.00
1	AFC-PRN-DED	If you do not require an AFC Printer deduct	\$ (93.60)	\$ (93.60)
1	AFC2021	Remote Communications Adapter (Internal Modem)	\$ 620.00	\$ 620.00
1	20-6150-05	Factory-direct telephone training service (AFC Administrator software)	\$ 495.00	\$ 495.00
<b>Total Price</b>			<b>\$</b>	<b>9,236.40</b>

# Petro Vend AFC Replacement Parts

Item #	Part Number	Description	List Price
17	340261	Petro Vend AFC Service Manual	See Website
18	340266	Administrator Software Manual	See Website
19	9000200	Transaction Journal Printer	\$ 848.00
20	9000308	Card Reader Cover	\$ 72.00
21	9000403	Pedestal Base w/Backplate	\$ 640.00
22	9000944	DuraKey Front Panel w/Socket Cover	\$ 61.00
23	01-03057	CPU RAM, Base (RAM 2 only)	\$ 255.00
24	01-03060	CPU RAM, Base (0 RAM)	\$ 362.00
25	01-10057	Cover Plate for AFC Card Reader	\$ 19.00
26	01-10058	Cabinet Chassis, AFC	\$ 498.00
27	01-10058A	Cabinet Cover	\$ 380.00
28	01-10059	LCD Window	\$ 28.00
29	01-16001	Printer Parallel Cable for AFC1010	\$ 20.00
30	01-16002	PC/CRT Serial Cable (DB9F-DB9M) for AFC1010	\$ 22.00
31	01-22022	Display Panel Overlay	\$ 20.00
32	01-22023	Keypad Panel Overlay	\$ 33.00
33	01-22025	Overlay for Card Reader Cover	\$ 20.00
34	02-01050	9 Volt Ni-MH Battery for AFC Power Supply	\$ 70.00
35	025-113	AFC DuraKey Encoder Software	\$ 170.00
36	025-131	AFC Printer/PC Adapter Firmware	\$ 165.00
37	025-132-3.7.2	AFC CPU Firmware	\$ 440.00
38	025-139	AFC Modem Firmware	\$ 165.00
39	20-5055	12V Power Supply for AFC 1010	\$ 99.00
40	230-003	Replacement Lock (with 2 keys)	\$ 28.00
41	5000DR1	Time Relay	\$ 185.00
42	54-1021	Card Reader Cleaning Card	\$ 6.00
43	5500MRS	Switch Kit	\$ 225.00
44	7500SNB-1	Noise Snubber	\$ 37.00
46	AFC1015	AFC Data line Connector - for PPC	\$ 215.00
47	AFC1016	AFC Network Connection Cable (Dial-In Modems)	\$ 30.00
48	AFC2005-2.1	AFC Administrator Software	\$ 325.00
49	AFC2005-2.1	AFC Administrator Software	\$ 325.00
50	AFC2005-2.7	AFC Administrator Software	\$ 325.00
51	AFC2010-3.2	AFC CPU Firmware/Administrator Upgrade	\$ 440.00
52	AFC2010-3.6	AFC CPU Firmware/Administrator Upgrade	\$ 440.00
53	AFC2010-3.7	AFC CPU Firmware/Administrator Upgrade	\$ 440.00
54	AFC2030	DuraKey Encoder - Model AFC	\$ 1,390.00
55	AFC2040	Local Access Kit	\$ 178.00
56	AFC2050	System Programming DuraKey - Network Number Required (Red Key)	\$ 61.00
57	AFC2061	AFC Receipt Printer Paper	\$ 21.00
58	AFC3005	Assembly Display Heater PCB	\$ 114.00
59	AFC3006	Assembly DuraKey Reader w/Cable	\$ 325.00
60	AFC3007	Assembly 20 Pin Card Reader Cable - 3 inch	\$ 19.00
61	AFC3008	Assembly AFC Keypad w/Cable	\$ 92.00
62	AFC3009	Assembly AFC Display w/Cable	\$ 345.00
63	AFC2043	RCA Power Cable	\$ 18.00
64	9000901	Encoded Vehicle DuraKey (Programmed)	\$ 14.00
65	12-1029	Petro-Net Wire (2-Conductor, 18AWG TFFN Twisted) - 1500 ft. (457 m) roll	\$ 1,005.00
66	5525ESS	Terminator Emergency Stop Switch	\$ 235.00
67	AFC2020	Remote Communication Adapter (External Modem)	\$ 620.00
68	AFC2021	Remote Communications Adapter (Internal Modem)	\$ 620.00
69	AFC2044	RCA Communication Cable	\$ 12.00

# Petro Vend AFC Remanufactured Parts

## Explanation of Core Credit Return Pricing

- 1) **LIST PRICE** - The price paid by the customer when no exchange part is provided at the time of the transaction. It is also the value of the credit to be issued when a part is returned, under warranty, with appropriate documentation (tag or labeled shipping container).
- 2) **CORE VALUE** - The value of the credit to be issued when a non-warranty part is returned with appropriate documentation (tag or labeled shipping container)
- 3) **CORE REVISION (Core Rev.)** - The acceptable board revision code.
- 4) **WARRANTY** - 90 days from the date of installation of the part or for the remainder of the warranty life of the system.
- 5) **FREIGHT**: All freight, clearance and import costs are paid by customer.

Item #	Part Number	Description	List Price	Core Value
70	RAF1010	Printer/PC Adapter (Core Rev.B)	\$ 860.00	\$ 210.00
71	RAF3001	Assembly CPU PCB w/o RAMS (Core Rev.F)	\$ 875.00	\$ 280.00
72	R20-0600	Assembly Power Supply (old style not applicable)	\$ 875.00	\$ 250.00
73	R20-0601	Assembly ICB w/Relays (old style not applicable)	\$ 875.00	\$ 250.00

## **TERMS**

Ex-works our facility, Hodgkins, Illinois, USA  
Installation not included  
All trade names are registered. Patents pending  
Subject to engineering improvement and/or change

PRICES SUBJECT TO CHANGE WITHOUT NOTICE

**OPW FUEL MANAGEMENT SYSTEMS** • 6900 Santa Fe Drive • Hodgkins, IL 60525 USA  
Phone (708) 485-4200 • Fax (708) 485-4630 • [www.opwglobal.com](http://www.opwglobal.com)

<b>Petro Vend Pulsers</b>			
<b>Item #</b>	<b>Part Number</b>	<b>Description</b>	<b>List Price</b>
1	400050	Model 50 Pulser	\$ 210.00
2	4000500	Model 500 Pulser	\$ 210.00
3	4500211	Short Shaft Extension (Model 500) (.75 inches)	\$ 21.00
4	4500212	Shaft Extension (Model 500) (1 inch)	\$ 22.00
5	4000500-12	Model 500 Pulser 12V	\$ 210.00
6	4000800F	Model 800-F Pulser	\$ 210.00
7	4000800F-12	Model 800-F Pulser - 12V	\$ 210.00
8	51-0291	Coupling For 500 Pulser	\$ 21.00

**TERMS**

Ex-works our facility, Hodgkins, Illinois, USA  
 Installation not included  
 All trade names are registered. Patents pending  
 Subject to engineering improvement and/or change

PRICES SUBJECT TO CHANGE WITHOUT NOTICE

**OPW FUEL MANAGEMENT SYSTEMS** • 6900 Santa Fe Drive • Hodgkins, IL 60525 USA  
 Phone (708) 485-4200 • Fax (708) 485-4630 • www.opwglobal.com

## Pulsers and Accessories at a glance

Model #	500	800-F	50
Part #	4000500	4000800-F	400050
Pulse Ratio	\$.01 / 1/10,1/100	1/10	1/10
101	■ / ■		
2001/2002	/ ■		
2002E	■ / ■		
VR10/4	■ / ■		
VR10	■ / ■		
Non-Computer	■		
Fill-Rite 800/900		■	
Tokheim/Gasboy 793/50			■
Veeder-Root 7886/7867 New Style			

■ Compatible

**ALL PULSERS MAY BE ORDERED FOR 220V, 50 Hz. OPERATION.**

### TERMS

Ex-works our facility, Hodgkins, Illinois, USA

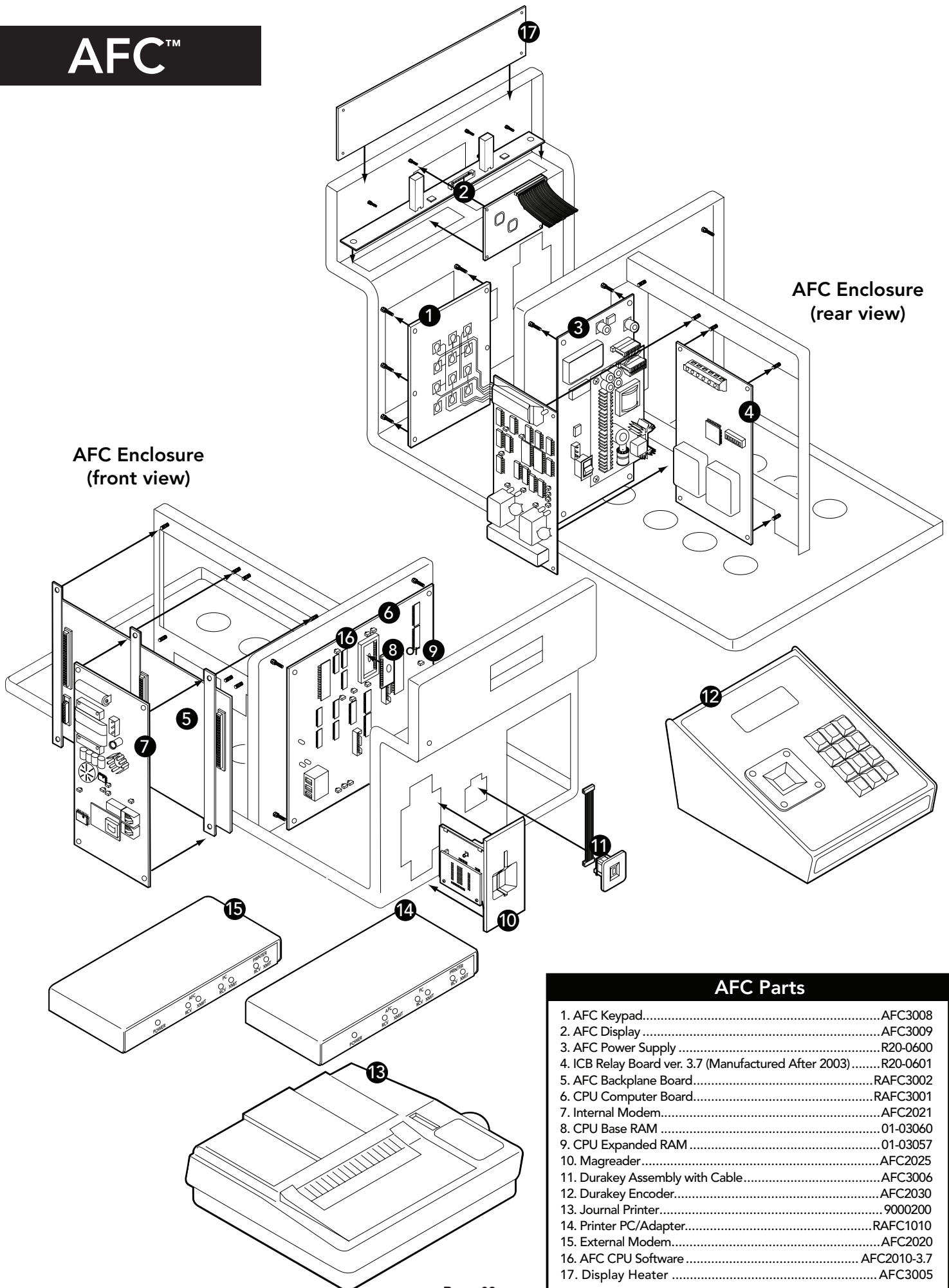
Installation not included

All trade names are registered. Patents pending

Subject to engineering improvement and/or change

PRICES SUBJECT TO CHANGE WITHOUT NOTICE

**OPW FUEL MANAGEMENT SYSTEMS** • 6900 Santa Fe Drive • Hodgkins, IL 60525 USA  
 Phone (708) 485-4200 • Fax (708) 485-4630 • www.opwglobal.com



### AFC Parts

1. AFC Keypad.....	AFC3008
2. AFC Display .....	AFC3009
3. AFC Power Supply .....	R20-0600
4. ICB Relay Board ver. 3.7 (Manufactured After 2003) .....	R20-0601
5. AFC Backplane Board.....	RAFC3002
6. CPU Computer Board.....	RAFC3001
7. Internal Modem.....	AFC2021
8. CPU Base RAM .....	01-03060
9. CPU Expanded RAM .....	01-03057
10. Magreader.....	AFC2025
11. Durakey Assembly with Cable.....	AFC3006
12. Durakey Encoder.....	AFC2030
13. Journal Printer.....	9000200
14. Printer PC/Adapter.....	RAFC1010
15. External Modem.....	AFC2020
16. AFC CPU Software .....	AFC2010-3.7
17. Display Heater .....	AFC3005



# Petro Vend Pulsers

Price List Effective March 1, 2017

TABLE OF CONTENTS	
Topic	Page #
Petro Vend Pulsers	64
Petro Vend Pulsers and Accessories at a Glance	65

<b>Petro Vend Pulsers</b>			
<b>Item #</b>	<b>Part Number</b>	<b>Description</b>	<b>List Price</b>
1	400050	Model 50 Pulser	\$ 210.00
2	4000500	Model 500 Pulser	\$ 210.00
3	4500211	Short Shaft Extension (Model 500) (.75 inches)	\$ 21.00
4	4500212	Shaft Extension (Model 500) (1 inch)	\$ 22.00
5	4000500-12	Model 500 Pulser 12V	\$ 210.00
6	4000800F	Model 800-F Pulser	\$ 210.00
7	4000800F-12	Model 800-F Pulser - 12V	\$ 210.00
8	51-0291	Coupling For 500 Pulser	\$ 21.00

**TERMS**

Ex-works our facility, Hodgkins, Illinois, USA  
 Installation not included  
 All trade names are registered. Patents pending  
 Subject to engineering improvement and/or change

PRICES SUBJECT TO CHANGE WITHOUT NOTICE

**OPW FUEL MANAGEMENT SYSTEMS** • 6900 Santa Fe Drive • Hodgkins, IL 60525 USA  
 Phone (708) 485-4200 • Fax (708) 485-4630 • www.opwglobal.com



## Pulsers and Accessories at a glance

Model #	500	800-F	50
Part #	4000500	4000800-F	400050
Pulse Ratio	\$.01 / 1/10,1/100	1/10	1/10
101	■ / ■		
2001/2002	/ ■		
2002E	■ / ■		
VR10/4	■ / ■		
VR10	■ / ■		
Non-Computer	■		
Fill-Rite 800/900		■	
Tokheim/Gasboy 793/50			■
Veeder-Root 7886/7867 New Style			

■ Compatible

**ALL PULSERS MAY BE ORDERED FOR 220V, 50 Hz. OPERATION.**

### TERMS

Ex-works our facility, Hodgkins, Illinois, USA

Installation not included

All trade names are registered. Patents pending

Subject to engineering improvement and/or change

PRICES SUBJECT TO CHANGE WITHOUT NOTICE

**OPW FUEL MANAGEMENT SYSTEMS** • 6900 Santa Fe Drive • Hodgkins, IL 60525 USA  
Phone (708) 485-4200 • Fax (708) 485-4630 • www.opwglobal.com