

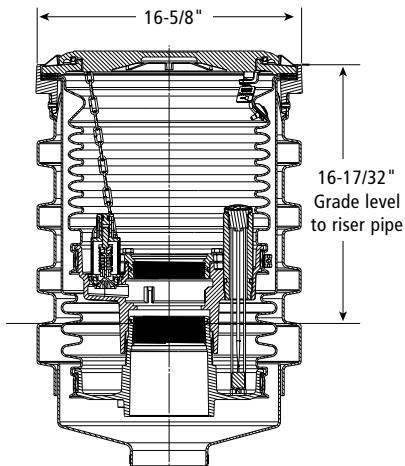
## OPW EDGE™ Double-Wall Spill Containers

Designed in collaboration with contractors and end-users, the OPW EDGE™ Double-Wall Spill Container installs in the same space as single-wall buckets. The EDGE™ delivers best-in-class features that significantly improve reliability, installation, testing and ease of serviceability. The EDGE™ exceeds the performance levels of all other double-wall spill containers.

- ◆ Fully Testable
- ◆ Unbeatable installation ease
- ◆ Uses existing riser pipe
- ◆ Unparalleled serviceability
- ◆ Superior quality
- ◆ Significantly reduces installation time and labor costs



### Sealable Cover Option Available



Weight: 120 lbs. (54.5 kg.)



SC Tester

## Materials

- Cover:** Cast iron
- Mounting Ring:** Duragard® coated ductile iron
- Bellows:** Polyethylene
- Base:** Cast iron E-coating
- Clamps:** Stainless steel
- Seals:** Buna-N

## Features

- ◆ **Top Mounted Vacuum Test Port**
  - For quick and easy access
- ◆ **Superior Visual Gauge**
  - No messy dipsticks to contend with
  - Significantly simplifies and reduces testing time
- ◆ **Ease of Access to the Electronic Sensor for Testing**
  - Easy access for testing
  - Located to eliminate damage potential during product drops
- ◆ **Roto-Molded Primary & Secondary Buckets**
  - Thicker walls for greater durability and reliability
- ◆ **Ribbed Polyethylene Skirt Design**
  - Roto-molded for long-life durability
  - Provides rigidity for added durability
  - Provides handles on all sides for ease of installation
- ◆ **Patent-Pending Socket Design**
  - Enables the EDGE™ to install into the space of a single-wall spill container
  - Helps to align bucket on riser
- ◆ **Patent-Pending Ledge Design**
  - Provides machined sealing face for drop tube
  - Improves overall drop tube sealing integrity
  - Eliminates face seal adaptors or de-burring of the riser pipe to obtain a flat surface for the drop tube
- ◆ **Patent-Pending Removable Adaptor**
  - Allows for quick and easy access to drop tube
  - Eliminates the need for cumbersome chain wrenches
- ◆ **Bellow Seals**
  - Improves overall sealing integrity
  - Eliminates mess and curing time found in sealants
  - Reduces service time and costs
- ◆ **SC Test**
  - Vacuum Testing Lid for Edge, 2200, 21000 and Multiports



## Listings and Certifications



## Ordering Specifications

### The Edge™ Double-Wall Models - Fill Ports with Drain Valves

Part #	Gal.	liter	Cover	Gauge / Sensor	lbs.	kg.
1C-3112D	5	19	Cast Iron	Float Gauge	127	58
1C-3122D	5	19	Cast Iron	Port Only (sensor not included)	127	58
1C-3132D	5	19	Cast Iron	Electronic Sensor; 2 Stage, Normally Closed	127	58
1C-3142D	5	19	Cast Iron	Electronic Sensor; Tri-State	127	58
1C-31512D	15	57	Cast Iron	Float Gauge	185	84
1C-31532D	15	57	Cast Iron	Electronic Sensor; 2 Stage, Normally Closed	185	84
1C-31542D	15	57	Cast Iron	Electronic Sensor; Tri-State	185	84
1SC-3112D	5	19	Sealable	Float Gauge	127	58
1SC-3122D	5	19	Sealable	Port Only (sensor not included)	127	58
1SC-3132D	5	19	Sealable	Electronic Sensor; 2 Stage, Normally Closed	127	58
1SC-3142D	5	19	Sealable	Electronic Sensor; Tri-State	127	58
1SC-31512D	15	57	Sealable	Float Gauge	185	84
1SC-31532D	15	57	Sealable	Electronic Sensor; 2 Stage, Normally Closed	185	84
1SC-31542D	15	57	Sealable	Electronic Sensor; Tri-State	185	84

### Installation Tools & Testing Equipment

1-3100-TOOL	Installation Tool for the EDGE™ DW Spill Container
DW-VAC-TEST	Double-Wall Vacuum Tester
SC-VAC-TEST	Vacuum Testing Lid for OPW Spill Buckets

### The Edge™ Double-Wall Models - Vapor Ports with Plug

Part #	Gal.	liter	Cover	Gauge	lbs.	kg.
1C-3112P	5	19	Cast Iron	Float Gauge	127	58
1C-3122P	5	19	Cast Iron	Port Only (sensor not included)	127	58
1C-3132P	5	19	Cast Iron	Electronic Sensor; 2 Stage, Normally Closed	127	58
1C-3142P	5	19	Cast Iron	Electronic Sensor; 2 Stage, Tri-State	127	58
1C-31512P	15	57	Cast Iron	Float Gauge	185	84
1C-31532P	15	57	Cast Iron	Electronic Sensor; 2 Stage, Normally Closed	185	84
1C-31542P	15	57	Cast Iron	Electronic Sensor; Tri-State	185	84
1SC-3112P	5	19	Sealable	Float Gauge	127	58
1SC-3122P	5	19	Sealable	Port Only (sensor not included)	127	58
1SC-3132P	5	19	Sealable	Electronic Sensor; 2 Stage, Normally Closed	127	58
1SC-3142P	5	19	Sealable	Electronic Sensor; Tri-State	127	58
1SC-31512P	15	57	Sealable	Float Gauge	185	84
1SC-31532P	15	57	Sealable	Electronic Sensor; 2 Stage, Normally Closed	185	84
1SC-31542P	15	57	Sealable	Electronic Sensor; Tri-State	185	84

Add the following to part number for colored powder coated covers and Rings. Example 1C-3XXXD-W

White	-W	Orange	-O	Yellow	-Y
Red	-R	Blue	-B	Bronze	-BZ

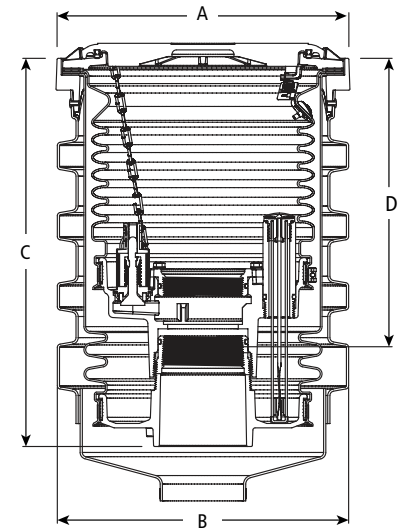
### Replacement Parts/Accessories

Part #	Description	Part #	Description	Part #	Description
1-21CC	5 Gallon Cast Iron RT cover	211465	Float Gauge S/A	202136-KIT	5 Gallon Primary Bucket with Plug
1-21AC	5 Gallon Aluminum RT Cover	206017	Sensor Adaptor S/A (Primary)	205987-KIT	15 Gallon Primary Bucket with Drain Valve
H12229M	5 Gallon Cover Seal for 1-21AC and 1-21CC	211064	Visigauge	206215-KIT	15 Gallon Primary Bucket with Plug
201530	5 Gallon Snow-plow Ring	201972	O-Ring, Visigauge Adaptor	202137-KIT	5 Gallon Secondary Replacement Kit for Float Gauge
201689	5 gallon Seal for Snow-Plow Ring	202013	O-Ring, Visigauge	206010-KIT	5 gallon Secondary Replacement Kit for Sensor Buckets
203340	15 Gallon Rain Tight Rings	1DK-2100-EVR	Drain Valve Sub Assembly	206011-KIT	5 Gallon Secondary Replacement Kit for Electronic Sensor
H12229M	15 gallon RT Cover Seal	201739	O-ring Nipple Adaptor	205988-KIT	15 Gallon Secondary Bucket Assembly
SC-XXXX (XXX =Color)	5 or 15 Gallon Sealable Covers powder Coated	C05446M	15 Gallon Main cover Seal	203269	Replacement 2 Stage, Normally Closed Sensor and Sealed Base Plug; Used in 1C-xx32x series Edge
203035	5 Gallon Sealable Cover Replacement Snow-Plow Ring	201686	S/A Secondary Gravel Guard	210490	Replacement Tri-State Sensor and Sealed Base Plug, Used in 1C-xx42x Series Edge
1DP-2100	Plug Kit	201686	S/A Secondary Gravel Guard	210490	Replacement Tri-State Sensor and Sealed Base Plug, Used in 1C-xx42x Series Edge
SCR Series	15 Gallon Sealable Cover Replacement Snow-Plow Ring	202135-KIT	5 Gallon Primary Bucket with Drain Valve	211079	Sensor Only Standard
				210488	Sensor Only

Float Gauge & Sensor Adaptor not included with replacement buckets

### EDGE™ Replacement Cartridge Kit

Original Edge Model	Original Product Description	Primary Containment Replacement Kit	Secondary Containment Replacement Kit	Primary and Secondary Containment Replacement Kit / EDGE 1 Upgrade Kits
1C-3112D / 1SC-3112D	DW EDGE: Drain Valve + Gauge	202135-KIT	202137-KIT	202135-KIT + 202137-KIT + 211465
1C-3112P / 1SC-3112P	DW EDGE: Plug and Gauge	202136-KIT	202137-KIT	202136-KIT + 202137-KIT + 211465
1C-3122D / 1SC-3122D	DW EDGE: Drain Valve and Sensor Access Port	202135-KIT	206010-KIT	202135-KIT + 206010-KIT + 206017
1C-3122P / 1SC-3122P	DW EDGE: Plug and Sensor Access Port	202136-KIT	206010-KIT	202136-KIT + 206010-KIT + 206017
1C-3132D / 1SC-3132D	DW EDGE: Drain Valve & 2 Stage Norm. Closed Sensor	202135-KIT	206011-KIT	202135-KIT + 206011-KIT + 206017
1C-3132P / 1SC-3132P	DW EDGE: Plug & 2 Stage Norm. Closed Sensor	202136-KIT	206011-KIT	202136-KIT + 206011-KIT + 206017
1C-3101D / 1SC-3101D	EDGE 1: Drain Valve	203193-KIT		
1C-3101P / 1SC-3101P	EDGE 1: Plug	203194-KIT		
1C-31512D / 1SC-31512D	DW Edge: 15 Gallon Drain Valve + Gauge	205987-KIT	205988-KIT	205987-KIT + 205988-KIT + 211465
1C-31512P / 1SC-31512P	DW Edge: 15 Gallon Plug + Gauge	206215-KIT	205988-KIT	206215-KIT + 205988-KIT + 211465
1C-3142D / 1SC-3142D	DW Edge: Drain and Tri-State Sensor	202135-KIT	210493-KIT	202135-KIT + 210493-KIT + 206017
1C-3142P / 1SC-3142P	DW Edge: Plug and Tri-State Sensor	202136-KIT	210493-KIT	202136-KIT + 210493-KIT + 206017



EDGE™

### Dimensions 5-gallon EDGE™

	in.	cm
A	16 <sup>5</sup> / <sub>8</sub>	42
B	16 <sup>19</sup> / <sub>32</sub>	42
C	22 <sup>1</sup> / <sub>8</sub>	56
D	16 <sup>7</sup> / <sub>16</sub>	42

### Dimensions 15-gallon EDGE™

	in.	cm
A	24 <sup>7</sup> / <sub>8</sub>	63
B	24 <sup>1</sup> / <sub>2</sub>	62
C	24 <sup>1</sup> / <sub>2</sub>	62
D	18	46